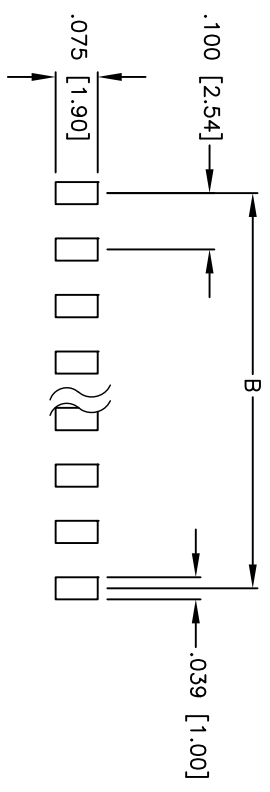
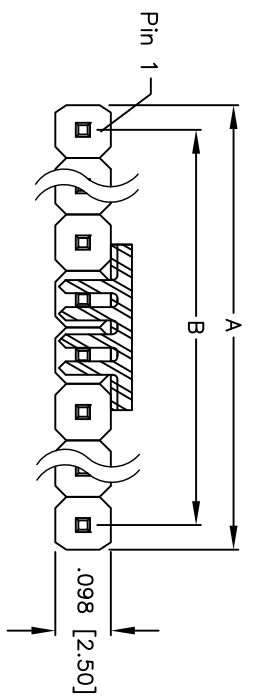
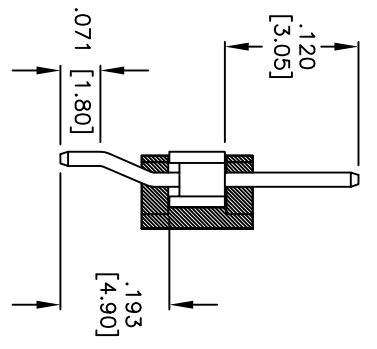
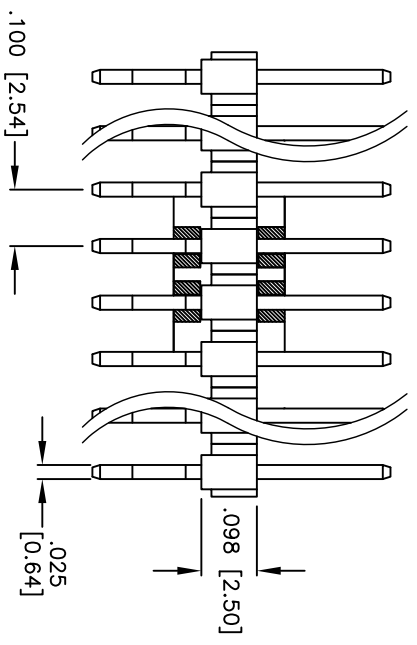


Rev	AWO #	Description	Date	Appr
-		RELEASED	8/16/10	

APPROVED: _____
 DATE: _____ TITLE: _____



Recommended PCB Layout



PACKAGED ON TAPE & REEL

A = .100 [2.54] x No. of Spaces + .086 [2.19]
 B = .100 [2.54] x No. of Spaces

SPECIFICATIONS:

Material: Nylon 6T, rated UL 94V-0

Insulator color: Black

Contacts: Brass

Plating: Tin over Copper underplate overall.

Electrical: Operating voltage: 250 VAC max

Current rating: 3 Amps max
 Contact resistance: 20 mohms max
 Insulation resistance: 5000 Mohms min @ 500 VDC
 Dielectric withstanding voltage: 500 VAC min rms

Temperature Rating: Operating temperature: -55°C to +105°C

Environmental: Lead free, RoHS compliant.

Recommended soldering temp: 260°C for 5 sec.



UNLESS OTHERWISE SPECIFIED ALL DIMENSIONS ARE INCHES [MM]	
TOLERANCES: EXCEPT AS NOTED	
INCHES	HOLDS
.X ± .10	± .10
.XX ± .020	± .015
.XXX ± .015	± .010
ØXXX	± .010
APPROVALS	DATE
DRAWN	DY
CHECKED	8/16/10
APPROVED	

ADAM TECH
 909 Railway Avenue, Union, NJ 07083
 Phone: 908-687-5000 Fax: 908-687-5710

TITLE: PIN HEADER, SINGLE ROW, .100" PITCH
 W/ CAP, TIN PLATED

SIZE	PART NO.	REV.
X	PH1RB-XX-1-SMT-.120-PP-TR	-
REF: S00093T	SCALE: NTS	SHEET 1 OF 1