

## DC/DD Series

(For Wire AWG 22 to 28 Soldering)

### P/N Description

# DC 2 - 1 1 0 1 - T3

- 1**                      **2**   **3**   **4**   **5**                      **6**

**1** **Series Prefix**  
DC: Receptacle Assemblies  
DD: Plug Assemblies

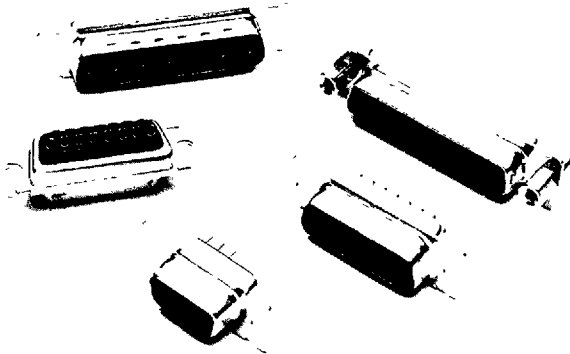
**2** **Contact Type**  
0: Plug  
1: Receptacle

**3** **No. of Contact Positions**  
1: 9 Pin  
2: 15 Pin  
3: 25 Pin  
4: 37 Pin

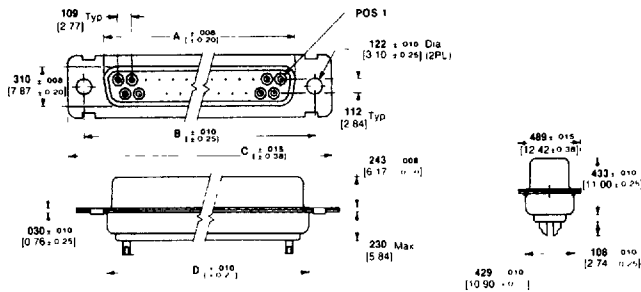
**4** **Tail Length**  
0: 0.108"

**5** **Contact Finish**  
1: Gold Flash  
6: 10µ" Gold Plating  
2: 20µ" Gold Plating  
3: 30µ" Gold Plating

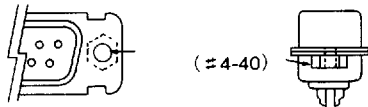
**6** **Mounting Options**  
Blank: Thru Holes  
T3: With hex clinch nut



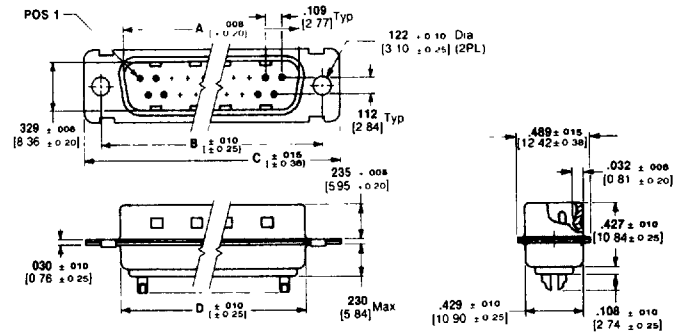
### DC Solder Cup Receptacle Assembly



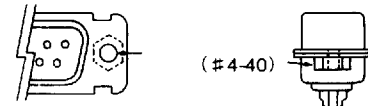
-T3



### DD Solder Cup Plug Assembly



-T3



NO. OF CONTACT POSITIONS	P/N	PLATING	DIMENSIONS Inches (mm)			
			A	B	C	D
9	DC21101	Gold Flash				
	DC21106	10µinch	.0642	0.984	1.208	0.758
	DC21102	20µinch	(16.31)	(24.99)	(30.68)	(19.25)
	DC21103	30µinch				
15	DC21201	Gold Flash				
	DC21206	10µinch	.0970	1.312	1.536	1.098
	DC21202	20µinch	(24.64)	(33.32)	(39.01)	(27.90)
	DC21203	30µinch				
25	DC21301	Gold Flash				
	DC21306	10µinch	1.510	1.852	2.083	1.630
	DC21302	20µinch	(38.36)	(47.02)	(52.91)	(41.40)
	DC21303	30µinch				
37	DC21401	Gold Flash				
	DC21406	10µinch	2.158	2.499	2.724	2.284
	DC21402	20µinch	(54.81)	(63.47)	(61.19)	(58.01)
	DC21403	30µinch				

NO. OF CONTACT POSITIONS	P/N	PLATING	DIMENSIONS inch (mm)			
			A	B	C	D
9	DD20101	Gold Flash				
	DD20106	10µinch	1.208	1.526	1.764	1.299
	DD20102	20µinch	(30.68)	(38.76)	(44.81)	(32.99)
	DD20103	30µinch				
15	DD20201	Gold Flash				
	DD20206	10µinch	0.663	0.984	1.208	0.758
	DD20202	20µinch	(16.84)	(24.99)	(30.68)	(19.25)
	DD20203	30µinch				
25	DD20301	Gold Flash				
	DD20306	10µinch	1.513	1.852	2.083	1.630
	DD20302	20µinch	(38.89)	(47.04)	(52.91)	(41.40)
	DD20303	30µinch				
37	DD20401	Gold Flash				
	DD20406	10µinch	2.179	2.499	2.724	2.284
	DD20402	20µinch	(55.35)	(63.47)	(69.19)	(58.01)
	DD20403	30µinch				