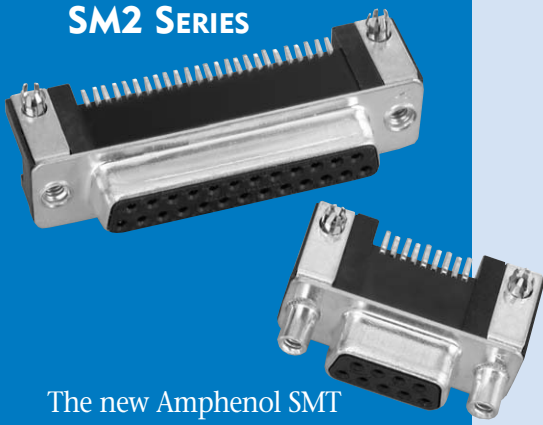


SM2 SERIES

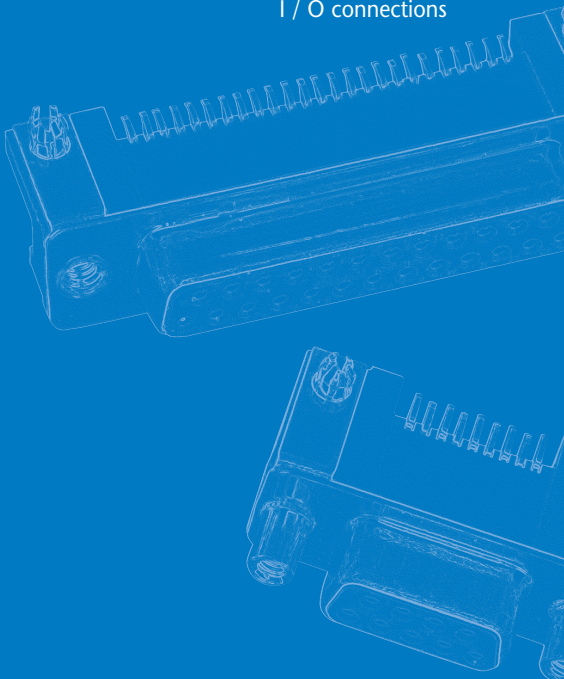


The new Amphenol SMT D-Sub is offered in right angle, receptacle with brackets, as an industry standard for I / O connections.

New boardlock features:
 -LIF (Low Insertion Force) boardlock especially designed to be fully compatible with pick and place equipment.
 -ZeFo (Zero Insertion Force) boardlock has been designed so that once placed and expanded, secures the connector in place.

Applications

- Industrial
- Telecom
- Any industry standard I / O connections



Stamped And Formed Contacts Surface Mount Connectors

SPECIFICATIONS:

MATERIALS AND PLATINGS

Shells	Steel with tin plating
Insulator	High temperature (peak at 500°F [260°C]) glass-filled thermoplastic, UL 94V-0
Socket Contact	Stamped and formed brass, selected gold in mating area; 100μ" (2.54μm) min. tin-lead on termination area, with entire contact under-plated 50μ" (1.27μm) min. nickel
Rear Insert	Brass, 118μ" up to 197μ" (3μm up to 5μm) tinned over nickel 78μ" to 118μ" (2μm up to 3μm)
Boardlock	Tin-lead plating 157μ" up to 236μ" (4μm up to 6μm) over nickel 78μ" up to 118μ" (2μm up to 3μm) Insertion force: Low Insertion Force = LIF (bronze) Zero Insertion Force = ZeFo (brass)
Screwlock	Brass, 236μ" up to 394μ" (6μm up to 10μm) tinned over nickel 78μ" up to 118μ" (2μm up to 3μm)
Grounding	Grounding strap: brass, (4μ" up to 6μ") (0.10μm up to 0.15μm) tin-lead plating over nickel 78μ" up to 118μ" (2μm up to 3μm)

ELECTRICAL DATA

Current Rating	3A
Voltage Rating	300V AC/ rms 50Hz
Withstanding Voltage	1000V AC/ rms 50Hz for one minute
Insulation Resistance	5000MΩ
Contact Resistance	10 mΩ max.

CLIMATIC DATA

Operating Temperature	185°F (85°C), peak at 221°F (105°C)
Damp Heat	56 days 221°F (105°C) - 95% RH

MECHANICAL DATA

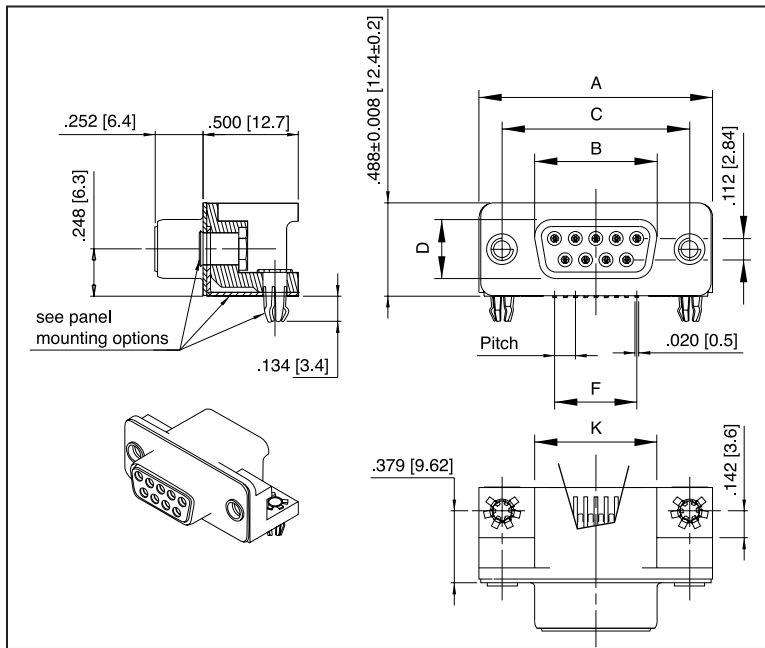
Single Contact Insertion Force	1.2N < F < 2.5N
Single Contact Withdrawal Force	0.4N min.
LIF Boardlock	8N max. per connector
Coplanarity of Contacts	.008" (0.2) max.

Mating and Unmating Force

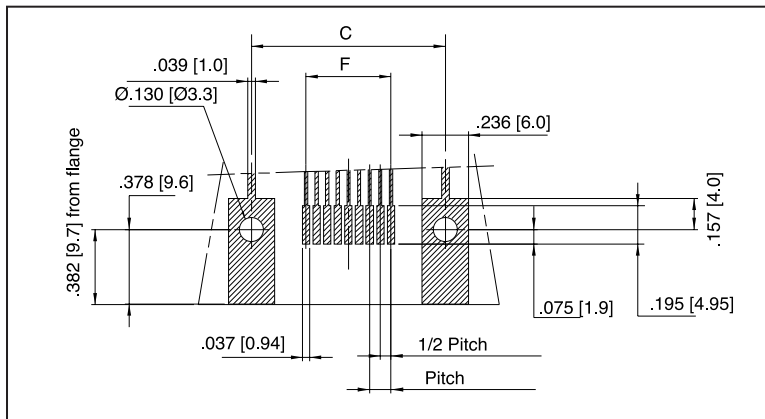
Unit: N

No. of Contacts	Mate (max.)	Unmate (min.)
9 (size E)	30	3.5
15 (size A)	50	4.5
25 (size B)	83	8.0

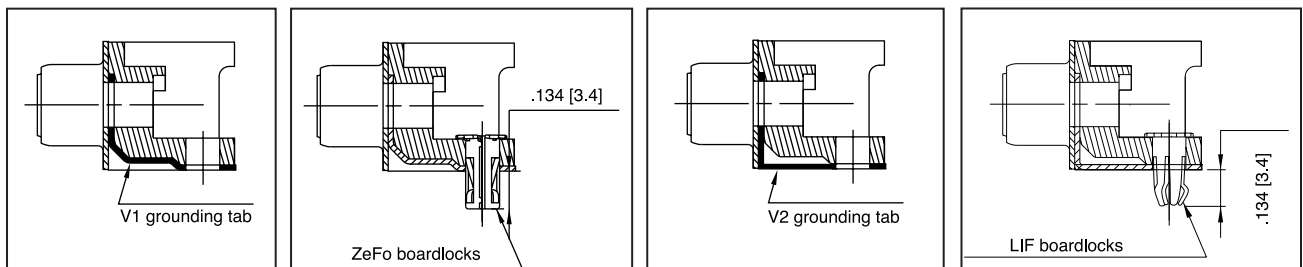
SHELL DIMENSIONS



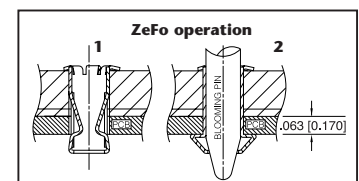
PCB LAYOUT



GROUNDING TABS



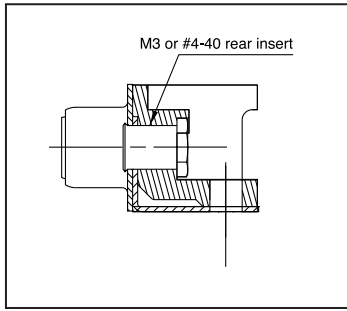
SHELL SIZE	A	B	C	D	PITCH	F	K
	+ .002 (0.05) - .004 (0.1)	0 - .008 (0.2)	± .004 (0.1)	0 - .01 (0.25)			
E	1.226 (31.15)	.645 (16.4)	.984 (25)	.316 (8.03)	.1078 (2.74)	.432 (10.97)	.642 (16.3)
A	1.551 (39.4)	.976 (24.8)	1.311 (33.3)	.316 (8.03)	.1078 (2.74)	.756 (19.2)	.968 (24.6)
B	2.098 (53.3)	1.515 (38.5)	1.850 (47)	.316 (8.03)	.1086 (2.76)	1.304 (33.12)	1.508 (38.3)



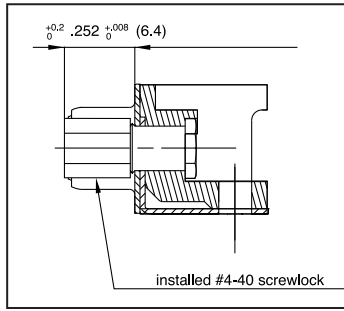
Blooming Pin Tool
P.N. 356-500

INCHES (MM)

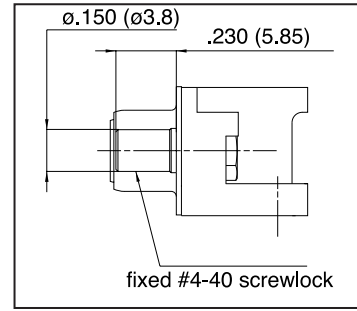
FLANGE ACCESSORIES



Threaded Rear
1/2



Installed Front Female
5



Fixed Front Female
6

ORDERING INFORMATION

17SM2 - XX - S - X - X - X - X

Configuration :

- 09
- 15
- 25

SOCKET ONLY

Board locks / grounding tab:

- 1 V1 grounding tab +ZeFo boardlocks (PCB = .062 [1.6])
- 4 ZeFo boardlocks only (PCB = .062 [1.6])
- 7 V1 grounding tab only
- 8 no grounding tab and no boardlocks
- B V2 grounding tab + LIF boardlocks (PCB = .062 [1.6])

Packaging:

- R reel (9 Pos only, 100/reel)
- T tube

Contact plating:

- 1 7.9µ" (0.2µm Au)
- 2 15.7µ" (0.4µm Au)
- 3 19.7µ" (0.5µm Au)
- 4 31.5µ" (0.8µm Au)
- 6 50µ" (1.27µm Au)

Mounting options:

- 1 rear insert 4-40
- 2 rear insert M3
- 5 installed front screwlock 4-40
- 6 fixed front screwlock 4-40

■ : Standard options

ASF "own" and original
PN's not RoHs

Compliant RoHs PN's WITH or WHITHOUT " L " → to be ordered with " L "

Compliant PN's since the 1st of July 2005 → to be ordered with " L "

PN's not RoHs, to be ordered WITHOUT the " L " untill new information

Original Part Numbers		RoHs part numbers (all connectors are with tinned shells)	What has changed to be RoHs	To be changed to be RoHs
17529	L	L17529		
17770	L	L17770		
171370	L	L171370		
171371	L	L171371		
171372	L	L171372		
171373	L	L171373		
171374	L	L171374		
17158706	L	L17158706		
17158806	L	L17158806		
17158906	L	L17158906		
17159006	L	L17159006		
17159106	L	L17159106		
17159706	L	L17159706		
17159806	L	L17159806		
17159906	L	L17159906		
17160006	L	L17160006		
17160106	L	L17160106		
117DA15P	L	L777DA15P		
117DA15POL2	L	L777DA15POL2		
117DA15S	L	L177DA15S		
117DA15SF179	L	L177DA15SF179		
117DAFRA15P	L	L117DAFRA15P		
117DAFRA15S	L	L117DAFRA15S		
117DAFRAA15P	L	L117DAFRAA15P		
117DAFRAA15S	L	L117DAFRAA15S		
117DAFRAB15P	L	L117DAFRAB15P		
117DAFRAB15S	L	L117DAFRAB15S		
117DAFRB15P	L	L117DAFRB15P		
117DAFRB15S	L	L117DAFRB15S		
117DAFRBA15P	L	L117DAFRBA15P		
117DAFRBA15S	L	L117DAFRBA15S		
117DAFRBB15P	L	L117DAFRBB15P		
117DAFRBB15S	L	L117DAFRBB15S		
117DAFRCA15P	L	L117DAFRCA15P		
117DAFRCA15S	L	L117DAFRCA15S		

Shells : from Zinc to Tinned
 Shells : from Zinc to Tinned
 Shells : from Zinc to Tinned
 Shells : from Zinc to Tinned

ASF "own" and original PN's not RoHs		Compliant RoHs PN's WITH or WHITHOUT " L " to be ordered with " L "		
		Compliant PN's since the 1st of July 2005 to be ordered with " L "		
		PN's not RoHs, to be ordered WITHOUT the " L " untill new information		
Original Part Numbers		RoHs part numbers (all connectors are with tinned shells)	What has changed to be RoHs	To be changed to be RoHs
117DAFRCB15P	L	L117DAFRCB15P		
117DAFRCB15S	L	L117DAFRCB15S		
117DAFRDA15P	L	L117DAFRDA15P		
117DAFRDA15S	L	L117DAFRDA15S		
117DAFRDB15P	L	L117DAFRDB15P		
117DAFRDB15S	L	L117DAFRDB15S		
117DB25P	L	L777DB25P	Shells : from Zinc to Tinned	
117DB25PAM4	L	L777DB25PAM4		Cts Tails :from tin-lead to tin or gold
117DB25PC	L	L777DB25PC		Cts Tails :from tin-lead to tin or gold
117DB25PF179A	L	L777DB25PF179A	Shells : from Zinc to Tinned	
117DB25PV	L	L777DB25PV	Shells : from Zinc to Tinned	
117DB25S	L	L177DB25S	Shells : from Zinc to Tinned	
117DB25SV	L	L177DB25SV	Shells : from Zinc to Tinned	
117DBF25P	L	L777DBF25P	Shells : from Zinc to Tinned	
117DC37P	L	L777DC37P	Shells : from Zinc to Tinned	
117DC37S	L	L177DC37S	Shells : from Zinc to Tinned	
117DC37SF179	L	L177DC37SF179	Shells : from Zinc to Tinned	
117DCF37P	L	L777DCF37P	Shells : from Zinc to Tinned	
117DCF37S	L	L177DCF37S	Shells : from Zinc to Tinned	
117DD50P1AON	L	L777DD50P1AON		Cts Tails :from tin-lead to tin or gold
117DD50S	L	L177DD50S	Shells : from Zinc to Tinned	
117DE09P	L	L777DE09P	Shells : from Zinc to Tinned	
117DE09PA	L	L777DE09PA		Cts Tails :from tin-lead to tin or gold
117DE09PF179A	L	L777DE09PF179A	Shells : from Zinc to Tinned	
117DE09POL2	L	L777DE09POL2	Shells : from Zinc to Tinned	
117DE09S	L	L177DE09S	Shells : from Zinc to Tinned	
117DEFRA09P	L	L117DEFRA09P		
117DEFRA09S	L	L117DEFRA09S		
117DEFRAA09P	L	L117DEFRAA09P		
117DEFRAA09S	L	L117DEFRAA09S		
117DEFRAB09P	L	L117DEFRAB09P		
117DEFRAB09S	L	L117DEFRAB09S		
117DEFRB09P	L	L117DEFRB09P		

ASF "own" and original PN's not RoHs		Compliant RoHs PN's WITH or WHITHOUT " L " to be ordered with " L "		
		Compliant PN's since the 1st of July 2005 to be ordered with " L "		
		PN's not RoHs, to be ordered WITHOUT the " L " untill new information		
Original Part Numbers		RoHs part numbers (all connectors are with tinned shells)	What has changed to be RoHs	To be changed to be RoHs
117DEFRB09S	L	L117DEFRB09S		
117DEFRBA09P	L	L117DEFRBA09P		
117DEFRBA09S	L	L117DEFRBA09S		
117DEFRBB09P	L	L117DEFRBB09P		
117DEFRBB09S	L	L117DEFRBB09S		
117DEFRCA09P	L	L117DEFRCA09P		
117DEFRCA09S	L	L117DEFRCA09S		
117DEFRCB09P	L	L117DEFRCB09P		
117DEFRCB09S	L	L117DEFRCB09S		
117DEFRDA09P	L	L117DEFRDA09P		
117DEFRDA09S	L	L117DEFRDA09S		
117DEFRDB09P	L	L117DEFRDB09P		
117DEFRDB09S	L	L117DEFRDB09S		
117DFA15P	L	L777DFA15P	Shells : from Zinc to Tinned	
117DFA15PF179A	L	L777DFA15PF179A	Shells : from Zinc to Tinned	
117DFA15POL2	L	L777DFA15POL2	Shells : from Zinc to Tinned	
117DFA15PT	L	L777DFA15PT	Shells : from Zinc to Tinned	
117DFA15S	L	L177DFA15S	Shells : from Zinc to Tinned	
117DFA15SAJ4	L	L177DFA15SAJ4		Cts Tails :from tin-lead to tin or gold
117DFA15SOL2	L	L177DFA15SOL2	Shells : from Zinc to Tinned	
117DFA15ST	L	L177DFA15ST	Shells : from Zinc to Tinned	
117DFAH15POL2RM5	L	L777DFAH15POL2RM5	Shells : from Zinc to Tinned	
117DFAH15PV	L	L177DFAH15PV	Shells : from Zinc to Tinned	
117DFAH15S	L	L177DFAH15S	Shells : from Zinc to Tinned	
117DFAH15SF179	L	L177DFAH15SF179	Shells : from Zinc to Tinned	
117DFAH15SU	L	L177DFAH15SU	Shells : from Zinc to Tinned	
117DFB25P	L	L777DFB25P	Shells : from Zinc to Tinned	
117DFB25PF179	L	L777DFB25PF179	Shells : from Zinc to Tinned	
117DFB25PF179A	L	L777DFB25PF179A	Shells : from Zinc to Tinned	
117DFB25PV	L	L777DFB25PV	Shells : from Zinc to Tinned	
117DFB25S	L	L177DFB25S	Shells : from Zinc to Tinned	

ASF "own" and original PN's not RoHs		Compliant RoHs PN's WITH or WHITHOUT " L " to be ordered with " L "		
		Compliant PN's since the 1st of July 2005 to be ordered with " L "		
		PN's not RoHs, to be ordered WITHOUT the " L " untill new information		
Original Part Numbers		RoHs part numbers (all connectors are with tinned shells)	What has changed to be RoHs	To be changed to be RoHs
117DFB25SAJ4	L	L177DFB25SAJ4		Cts Tails :from tin-lead to tin or gold
117DFB25SAM4B	L	L177DFB25SAM4B		Cts Tails :from tin-lead to tin or gold
117DFB25SF179	L	L177DFB25SF179	Shells : from Zinc to Tinned	
117DFB25SF179A	L	L177DFB25SF179A	Shells : from Zinc to Tinned	
117DFB25SOL2	L	L177DFB25SOL2	Shells : from Zinc to Tin	
117DFB25ST	L	L177DFB25ST	Shells : from Zinc to Tin	
117DFB25SU	L	L177DFB25SU	Shells : from Zinc to Tin	
117DFB25SV	L	L177DFB25SV	Shells : from Zinc to Tin	
117DFBF25SA4	L	L177DFBF25SA4		Cts Tails :from tin-lead to tin or gold
117DFBH25P	L	L777DFBH25P	Shells : from Zinc to Tin	
117DFBH25PF179A	L	L777DFBH25PF179A	Shells : from Zinc to Tin	
117DFBH25PU	L	L777DFBH25PU	Shells : from Zinc to Tin	
117DFBH25S	L	L177DFBH25S	Shells : from Zinc to Tin	
117DFBH25SAM4	L	L177DFBH25SAM4		Cts Tails :from tin-lead to tin or gold
117DFBH25SF179	L	L177DFBH25SF179	Shells : from Zinc to Tin	
117DFBH25SU	L	L177DFBH25SU	Shells : from Zinc to Tin	
117DFC37P	L	L777DFC37P	Shells : from Zinc to Tin	
117DFC37PA	L	L777DFC37PA		Cts Tails :from tin-lead to tin or gold
117DFC37PT	L	RRB25SVF	Shells : from Zinc to Tin	
117DFC37PU	L	L777DFC37PU	Shells : from Zinc to Tin	
117DFC37PV	L	L777DFC37PV	Shells : from Zinc to Tin	
117DFC37S	L	L177DFC37S	Shells : from Zinc to Tin	
117DFC37SA	L	L177DFC37SA		Cts Tails :from tin-lead to tin or gold
117DFC37SAJ4	L	L177DFC37SAJ4		Cts Tails :from tin-lead to tin or gold
	L	L177DFC37SC		Cts Tails :from tin-lead to tin or gold
117DFC37SF179	L	L177DFC37SF179	Shells : from Zinc to Tin	
117DFC37SF179A	L	L177DFC37SF179A	Shells : from Zinc to Tin	
117DFC37SOL2	L	L177DFC37SOL2	Shells : from Zinc to Tin	
117DFC37SU	L	L177DFC37SU	Shells : from Zinc to Tin	
117DFC37SV	L	L177DFC37SV	Shells : from Zinc to Tin	
117DFCF37PU	L	L777DFCF37PU	Shells : from Zinc to Tin	
117DFCH37PU	L	L777DFCH37PU	Shells : from Zinc to Tin	

ASF "own" and original PN's not RoHs		Compliant RoHs PN's WITH or WHITHOUT " L " to be ordered with " L "		
		Compliant PN's since the 1st of July 2005 to be ordered with " L "		
		PN's not RoHs, to be ordered WITHOUT the " L " untill new information		
Original Part Numbers		RoHs part numbers (all connectors are with tinned shells)	What has changed to be RoHs	To be changed to be RoHs
117DFCH37SF179	L	L177DFCH37SF179	Shells : from Zinc to Tin	
117DFCH37SU	L	L177DFCH37SU	Shells : from Zinc to Tin	
117DFD50P	L	L777DFD50P	Shells : from Zinc to Tin	
117DFD50PF179A	L	L777DFD50PF179A	Shells : from Zinc to Tin	
117DFD50PU	L	L777DFD50PU	Shells : from Zinc to Tin	
117DFD50PV	L	L777DFD50PV	Shells : from Zinc to Tin	
117DFD50S	L	L177DFD50S	Shells : from Zinc to Tin	
117DFD50SF179A	L	L177DFD50SF179A	Shells : from Zinc to Tin	
117DFDH50P1AMN	L	L777DFDH50P1AMN		Cts Tails :from tin-lead to tin or gold
117DFE09P	L	L777DFE09P	Shells : from Zinc to Tin	
117DFE09P1APN	L	L777DFE09P1APN		Cts Tails :from tin-lead to tin or gold
117DFE09PAJ4	L	L777DFE09PAJ4		Cts Tails :from tin-lead to tin or gold
117DFE09POL2	L	L777DFE09POL2	Shells : from Zinc to Tin	
117DFE09PV	L	L777DFE09PV	Shells : from Zinc to Tin	
117DFE09S	L	L177DFE09S	Shells : from Zinc to Tin	
117DFE09SAJ4	L	L177DFE09SAJ4		Cts Tails :from tin-lead to tin or gold
117DFE09SAM4B	L	L177DFE09SAM4B		Cts Tails :from tin-lead to tin or gold
117DFE09SF179	L	L177DFE09SF179	Shells : from Zinc to Tin	
117DFE09SOL2	L	L177DFE09SOL2	Shells : from Zinc to Tin	
117DFEH09SF179	L	L177DFEH09SF179	Shells : from Zinc to Tin	
117DFEH09SU	L	L177DFEH09SU	Shells : from Zinc to Tin	
117RRA15P	L	L777RRA15P	Shells : from Zinc to Tin	
117RRA15PVF	L	L777RRA15PVF	Shells : from Zinc to Tin	
117RRA15PVFM	L	L777RRA15PVFM	Shells : from Zinc to Tin	
117RRA15S	L	L177RRA15S	Shells : from Zinc to Tin	
117RRA15SVF	L	L177RRA15SVF	Shells : from Zinc to Tin	
117RRA15SVFM	L	L177RRA15SVFM	Shells : from Zinc to Tin	
117RRAG15P	L	L777RRAG15P	Shells : from Zinc to Tin	
117RRAG15S	L	L177RRAG15S	Shells : from Zinc to Tin	
117RRAH15P	L	L777RRAH15P	Shells : from Zinc to Tin	
117RRAH15S	L	L177RRAH15S	Shells : from Zinc to Tin	
117RRB25P	L	L777RRB25P	Shells : from Zinc to Tin	
117RRB25PVF	L	L777RRB25PVF	Shells : from Zinc to Tin	
117RRB25PVFM	L	L777RRB25PVFM	Shells : from Zinc to Tin	

ASF "own" and original PN's not RoHs		Compliant RoHs PN's WITH or WHITHOUT " L " to be ordered with " L "		
		Compliant PN's since the 1st of July 2005 to be ordered with " L "		
		PN's not RoHs, to be ordered WITHOUT the " L " untill new information		
Original Part Numbers		RoHs part numbers (all connectors are with tinned shells)	What has changed to be RoHs	To be changed to be RoHs
117RRB25S	L	L177RRB25S	Shells : from Zinc to Tin	
117RRB25SVF	L	L177RRB25SVF	Shells : from Zinc to Tin	
117RRB25SVFM	L	L177RRB25SVFM	Shells : from Zinc to Tin	
117RRBG25P	L	L777RRBG25P	Shells : from Zinc to Tin	
117RRBG25S	L	L177RRBG25S	Shells : from Zinc to Tin	
117RRBH25P	L	L777RRBH25P	Shells : from Zinc to Tin	
117RRBH25S	L	L177RRBH25S	Shells : from Zinc to Tin	
117RRC37P	L	L777RRC37P	Shells : from Zinc to Tin	
117RRC37PVF	L	L777RRC37PVF	Shells : from Zinc to Tin	
117RRC37PVFM	L	L777RRC37PVFM	Shells : from Zinc to Tin	
117RRC37S	L	L177RRC37S	Shells : from Zinc to Tin	
117RRC37SVF	L	L177RRC37SVF	Shells : from Zinc to Tin	
117RRC37SVFM	L	L177RRC37SVFM	Shells : from Zinc to Tin	
117RRCG37P	L	L777RRCG37P	Shells : from Zinc to Tin	
117RRCG37S	L	L177RRCG37S	Shells : from Zinc to Tin	
117RRCH37P	L	L777RRCH37P	Shells : from Zinc to Tin	
117RRCH37S	L	L177RRCH37S	Shells : from Zinc to Tin	
117RRD50P	L	L777RRD50P	Shells : from Zinc to Tin	
117RRD50PVF	L	L777RRD50PVF	Shells : from Zinc to Tin	
117RRD50PVFM	L	L777RRD50PVFM	Shells : from Zinc to Tin	
117RRD50S	L	L177RRD50S	Shells : from Zinc to Tin	
117RRD50SVF	L	L177RRD50SVF	Shells : from Zinc to Tin	
117RRD50SVFM	L	L177RRD50SVFM	Shells : from Zinc to Tin	
117RRDG50P	L	L777RRDG50P	Shells : from Zinc to Tin	
117RRDG50S	L	L177RRDG50S	Shells : from Zinc to Tin	
117RRDH50P	L	L777RRDH50P	Shells : from Zinc to Tin	
117RRDH50S	L	L177RRDH50S	Shells : from Zinc to Tin	
117RRE09P	L	L777RRE09P	Shells : from Zinc to Tin	
117RRE09PVF	L	L777RRE09PVF	Shells : from Zinc to Tin	
117RRE09PVFM	L	L777RRE09PVFM	Shells : from Zinc to Tin	
117RRE09S	L	L177RRE09S	Shells : from Zinc to Tin	
117RRE09SVF	L	L177RRE09SVF	Shells : from Zinc to Tin	
117RRE09SVFM	L	L177RRE09SVFM	Shells : from Zinc to Tin	
117RREG09P	L	L777RREG09P	Shells : from Zinc to Tin	

ASF "own" and original PN's not RoHs		Compliant RoHs PN's WITH or WITHOUT " L " to be ordered with " L "		
		Compliant PN's since the 1st of July 2005 to be ordered with " L "		
		PN's not RoHs, to be ordered WITHOUT the " L " until new information		
Original Part Numbers		RoHs part numbers (all connectors are with tinned shells)	What has changed to be RoHs	To be changed to be RoHs
117RREG09S	L	L177RREG09S	Shells : from Zinc to Tin	
117RREH09P	L	L777RREH09P	Shells : from Zinc to Tin	
117RREH09S	L	L177RREH09S	Shells : from Zinc to Tin	
117TWA3W3PP2Y4R	L	L777TWA3W3PP2Y4R	Shells : from Zinc to Tin	
117TWA3W3SP2YFM	L	L177TWA3W3SP2YFM	Shells : from Zinc to Tin	
117TWA7W2P	L	L777TWA7W2P	Shells : from Zinc to Tin	
117TWA7W2SHCSV	L	L177TWA7W2SHCSV		Cts Tails :from tin-lead to tin or gold
117TWA7W2SP2SY	L	L177TWA7W2SP2SY		Cts Tails :from tin-lead to tin or gold
117TWA7W2SP3SY	L	L177TWA7W2SP3SY		Cts Tails :from tin-lead to tin or gold
117TWB13W3PFM	L	L777TWB13W3PFM	Shells : from Zinc to Tin	
117TWB17W2S	L	L177TWB17W2S		Cts Tails :from tin-lead to tin or gold
117TWB5W5PP2Y	L	L777TWB5W5PP2Y	Shells : from Zinc to Tin	
117TWB5W5PP2Y4R	L	L777TWB5W5PP2Y4R	Shells : from Zinc to Tin	
117TWB5W5SMCVRM6	L	L177TWB5W5SMCVRM6	Shells : from Zinc to Tin	
117TWB5W5SP2Y	L	L177TWB5W5SP2Y	Shells : from Zinc to Tin	
117TWB9W4SESV4RRM6	L	L177TWB9W4SESV4RRM6		Cts Tails :from tin-lead to tin or gold
117TWC13W6P3R	L	L777TWC13W6P3R	Shells : from Zinc to Tin	
117TWC21WA4SMCSVRM6	L	L177TWC21WA4SMCSVRM6		Cts Tails :from tin-lead to tin or gold
117TWC8W8PMCV4F	L	L777TWC8W8PMCV4F	Shells : from Zinc to Tin	
117TWC8W8SP2Y	L	L177TWC8W8SP2Y	Shells : from Zinc to Tin	
117TWC8W8SP3Y	L	L177TWC8W8SP3Y	Shells : from Zinc to Tin	
117TWD24W7P	L	L777TWD24W7P	Shells : from Zinc to Tin	
117TWE5W1SP3SY	L	L177TWE5W1SP3SY		Cts Tails :from tin-lead to tin or gold
17165715	L	L17165715		
17165725	L	L17165725		
17165737	L	L17165737		
17165750	L	L17165750		
177DBG25SF179	L	L177DBG25SF179		
177DDM36W4S	L	L177DDM36W4S		Cts Tails :from tin-lead to tin or gold
177DE09S	L	L177DE09S		
177DE09SF179	L	L177DE09SF179		
177DE09SOL2	L	L177DE09SOL2		
177DFA15S	L	L177DFA15S		
177DFA15SAM4B	L	L177DFA15SAM4B		Cts Tails :from tin-lead to tin or gold

ASF "own" and original PN's not RoHs		Compliant RoHs PN's WITH or WHITHOUT " L " to to be ordered with " L "		
		Compliant PN's since the 1st of July 2005 to to be ordered with " L "		
		PN's not RoHs, to be ordered WITHOUT the " L " untill new information		
Original Part Numbers		RoHs part numbers (all connectors are with tinned shells)	What has changed to be RoHs	To be changed to be RoHs
177DFA15SF179	L	L177DFA15SF179		
177DFA15SF179A	L	L177DFA15SF179A		
177DFA15SOL2	L	L177DFA15SOL2		
177DFAH15SAM4	L	L177DFAH15SAM4		Cts Tails :from tin-lead to tin or gold
177DFAH15SOL2	L	L177DFAH15SOL2		
177DFAH15SOL2RM5	L	L177DFAH15SOL2RM5		
177DFAH15SV	L	L177DFAH15SV		
177DFB25S	L	L177DFB25S		
177DFB25S1AMNVF2	L	L177DFB25S1AMNVF2		Cts Tails :from tin-lead to tin or gold
177DFB25S1AON	L	L177DFB25S1AON		Cts Tails :from tin-lead to tin or gold
177DFB25SAM4BVF2	L	L177DFB25SAM4BVF2		Cts Tails :from tin-lead to tin or gold
177DFB25SF179A	L	L177DFB25SF179A		
177DFBH25SAM4	L	L177DFBH25SAM4		Cts Tails :from tin-lead to tin or gold
177DFBH25SOL2RM5	L	L177DFBH25SOL2RM5		
177DFBH25SU	L	L177DFBH25SU		
177DFC37SF179A	L	L177DFC37SF179A		
177DFCH37SAM4	L	L177DFCH37SAM4		Cts Tails :from tin-lead to tin or gold
177DFCH37SOL2RM5	L	L177DFCH37SOL2RM5		
177DFD50S	L	L177DFD50S		
177DFDG50S1AMN	L	L177DFDG50S1AMN		Cts Tails :from tin-lead to tin or gold
177DFDH50SAM4	L	L177DFDH50SAM4		Cts Tails :from tin-lead to tin or gold
177DFE09S	L	L177DFE09S		
177DFE09S1AMNVF2	L	L177DFE09S1AMNVF2		Cts Tails :from tin-lead to tin or gold
177DFE09S1AON	L	L177DFE09S1AON		Cts Tails :from tin-lead to tin or gold
177DFE09SAM4BRM6VFM	L	L177DFE09SAM4BRM6VFM		Cts Tails :from tin-lead to tin or gold
177DFE09SARM6VF	L	L177DFE09SARM6VF		Cts Tails :from tin-lead to tin or gold
177DFE09SF179A	L	L177DFE09SF179A		
177DFE09SOL2	L	L177DFE09SOL2		
177DFE09SOL2RM8	L	L177DFE09SOL2RM8		
177DFE09SU	L	L177DFE09SU		
177DFE09SV	L	L177DFE09SV		
177DFEF09S	L	L177DFEF09S		
177DFEG09S1AMN	L	L177DFEG09S1AMN		Cts Tails :from tin-lead to tin or gold
177DFEH09S	L	L177DFEH09S		

ASF "own" and original PN's not RoHs		Compliant RoHs PN's WITH or WHITHOUT " L " to be ordered with " L "		
		Compliant PN's since the 1st of July 2005 to be ordered with " L "		
		PN's not RoHs, to be ordered WITHOUT the " L " untill new information		
Original Part Numbers		RoHs part numbers (all connectors are with tinned shells)	What has changed to be RoHs	To be changed to be RoHs
177DFEH09SAM4	L	L177DFEH09SAM4		Cts Tails :from tin-lead to tin or gold
177DFEH09SARM6	L	L177DFEH09SARM6		Cts Tails :from tin-lead to tin or gold
177DFEH09SOL2	L	L177DFEH09SOL2		
177DFEH09SOL2RM5	L	L177DFEH09SOL2RM5		
177HDA26S	L	L177HDA26S		
177HDA26SD1CH3F	L	L177HDA26SD1CH3F		
177HDA26SD1CH3R	L	L177HDA26SD1CH3R		
177HDA26SD1CH4F	L	L177HDA26SD1CH4F		
177HDA26SD1CH4R	L	L177HDA26SD1CH4R		
177HDA26SOL2	L	L177HDA26SOL2		
177HDA26SVF	L	L177HDA26SVF		
177HDA26SVFM	L	L177HDA26SVFM		
177HDAG26S	L	L177HDAG26S		
177HDAG26SOL2	L	L177HDAG26SOL2		
177HDAG26SOL2RM5	L	L177HDAG26SOL2RM5		
177HDAG26SOL2RM8	L	L177HDAG26SOL2RM8		
177HDAH26S	L	L177HDAH26S		
177HDAH26SOL2	L	L177HDAH26SOL2		
177HDAH26SOL2RM5	L	L177HDAH26SOL2RM5		
177HDAH26SOL2RM8	L	L177HDAH26SOL2RM8		
177HDB44S	L	L177HDB44S		
177HDB44SD1CH3F	L	L177HDB44SD1CH3F		
177HDB44SD1CH3R	L	L177HDB44SD1CH3R		
177HDB44SD1CH4F	L	L177HDB44SD1CH4F		
177HDB44SD1CH4R	L	L177HDB44SD1CH4R		
177HDB44SOL2	L	L177HDB44SOL2		
177HDB44SVF	L	L177HDB44SVF		
177HDB44SVFM	L	L177HDB44SVFM		
177HDBG44S	L	L177HDBG44S		
177HDBG44SOL2	L	L177HDBG44SOL2		
177HDBG44SOL2RM5	L	L177HDBG44SOL2RM5		
177HDBG44SOL2RM8	L	L177HDBG44SOL2RM8		
177HDBH44S	L	L177HDBH44S		
177HDBH44SOL2	L	L177HDBH44SOL2		

ASF "own" and original PN's not RoHs		Compliant RoHs PN's WITH or WHITHOUT " L " to be ordered with " L "		
		Compliant PN's since the 1st of July 2005 to be ordered with " L "		
		PN's not RoHs, to be ordered WITHOUT the " L " untill new information		
Original Part Numbers		RoHs part numbers (all connectors are with tinned shells)	What has changed to be RoHs	To be changed to be RoHs
177HDBH44SOL2RM5	L	L177HDBH44SOL2RM5		
177HDBH44SOL2RM8	L	L177HDBH44SOL2RM8		
177HDC62S	L	L177HDC62S		
177HDC62SD1CH3F	L	L177HDC62SD1CH3F		
177HDC62SD1CH3R	L	L177HDC62SD1CH3R		
177HDC62SD1CH4F	L	L177HDC62SD1CH4F		
177HDC62SD1CH4R	L	L177HDC62SD1CH4R		
177HDC62SOL2	L	L177HDC62SOL2		
177HDC62SVF	L	L177HDC62SVF		
177HDC62SVFM	L	L177HDC62SVFM		
177HDCG62S	L	L177HDCG62S		
177HDCG62SOL2	L	L177HDCG62SOL2		
177HDCG62SOL2RM5	L	L177HDCG62SOL2RM5		
177HDCG62SOL2RM8	L	L177HDCG62SOL2RM8		
177HDCH62S	L	L177HDCH62S		
177HDCH62SOL2	L	L177HDCH62SOL2		
177HDCH62SOL2RM5	L	L177HDCH62SOL2RM5		
177HDCH62SOL2RM8	L	L177HDCH62SOL2RM8		
177HDD78S	L	L177HDD78S		
177HDD78SOL2	L	L177HDD78SOL2		
177HDD78SVF	L	L177HDD78SVF		
177HDD78SVFM	L	L177HDD78SVFM		
177HDDG78S	L	L177HDDG78S		
177HDDG78SOL2	L	L177HDDG78SOL2		
177HDDG78SOL2RM5	L	L177HDDG78SOL2RM5		
177HDDG78SOL2RM8	L	L177HDDG78SOL2RM8		
177HDDH78S	L	L177HDDH78S		
177HDDH78SOL2	L	L177HDDH78SOL2		
177HDDH78SOL2RM8	L	L177HDDH78SOL2RM8		
177HDE15S	L	L177HDE15S		
177HDE15SD1CH3F	L	L177HDE15SD1CH3F		
177HDE15SD1CH3R	L	L177HDE15SD1CH3R		
177HDE15SD1CH4F	L	L177HDE15SD1CH4F		
177HDE15SD1CH4R	L	L177HDE15SD1CH4R		

ASF "own" and original PN's not RoHs		Compliant RoHs PN's WITH or WHITHOUT " L " →to be ordered with " L "		
		Compliant PN's since the 1st of July 2005 →to be ordered with " L "		
		PN's not RoHs, to be ordered WITHOUT the " L " untill new information		
Original Part Numbers		RoHs part numbers (all connectors are with tinned shells)	What has changed to be RoHs	To be changed to be RoHs
177HDE15SOL2	L	L177HDE15SOL2		
177HDE15SVF	L	L177HDE15SVF		
177HDE15SVFM	L	L177HDE15SVFM		
177HDEG15S	L	L177HDEG15S		
177HDEG15SOL2	L	L177HDEG15SOL2		
177HDEG15SOL2RM5	L	L177HDEG15SOL2RM5		
177HDEG15SOL2RM8	L	L177HDEG15SOL2RM8		
177HDEH15S	L	L177HDEH15S		
177HDEH15SOL2	L	L177HDEH15SOL2		
177HDEH15SOL2RM5	L	L177HDEH15SOL2RM5		
177HDEH15SOL2RM8	L	L177HDEH15SOL2RM8		
177HDH78SOL2RM5	L	L177HDH78SOL2RM5		
177HRA26S	L	L177HRA26S		
177HRA26SVF	L	L177HRA26SVF		
177HRA26SVFM	L	L177HRA26SVFM		
177HRAG26S	L	L177HRAG26S		
177HRAH26S	L	L177HRAH26S		
177HRB44S	L	L177HRB44S		
177HRB44SVF	L	L177HRB44SVF		
177HRB44SVFM	L	L177HRB44SVFM		
177HRBG44S	L	L177HRBG44S		
177HRBH44S	L	L177HRBH44S		
177HRC62S	L	L177HRC62S		
177HRC62SVF	L	L177HRC62SVF		
177HRC62SVFM	L	L177HRC62SVFM		
177HRCG62S	L	L177HRCG62S		
177HRCH62S	L	L177HRCH62S		
177HRD78S	L	L177HRD78S		
177HRD78SVF	L	L177HRD78SVF		
177HRD78SVFM	L	L177HRD78SVFM		
177HRDG78S	L	L177HRDG78S		
177HRDH78S	L	L177HRDH78S		
177HRE15S	L	L177HRE15S		
177HRE15SVF	L	L177HRE15SVF		

ASF "own" and original
PN's not RoHs

Compliant RoHs PN's WITH or WHITHOUT " L " →to be ordered with " L "

Compliant PN's since the 1st of July 2005 →to be ordered with " L "

PN's not RoHs, to be ordered WITHOUT the " L " untill new information

Original Part Numbers		RoHs part numbers (all connectors are with tinned shells)	What has changed to be RoHs	To be changed to be RoHs
177HRE15SVFM	L	L177HRE15SVFM		
177HREG15S	L	L177HREG15S		
177HREH15S	L	L177HREH15S		
177RRA15S	L	L177RRA15S		
177RRA15SVF	L	L177RRA15SVF		
177RRA15SVFM	L	L177RRA15SVFM		
177RRAG15S	L	L177RRAG15S		
177RRAH15S	L	L177RRAH15S		
177RRB25S	L	L177RRB25S		
177RRB25SVF	L	L177RRB25SVF		
177RRB25SVFM	L	L177RRB25SVFM		
177RRBG25S	L	L177RRBG25S		
177RRBH25S	L	L177RRBH25S		
177RRC37S	L	L177RRC37S		
177RRC37SVF	L	L177RRC37SVF		
177RRC37SVFM	L	L177RRC37SVFM		
177RRCG37S	L	L177RRCG37S		
177RRCH37S	L	L177RRCH37S		
177RRD50S	L	L177RRD50S		
177RRD50SVF	L	L177RRD50SVF		
177RRD50SVFM	L	L177RRD50SVFM		
177RRDG50S	L	L177RRDG50S		
177RRDH50S	L	L177RRDH50S		
177RRE09S	L	L177RRE09S		
177RRE09SVF	L	L177RRE09SVF		
177RRE09SVFM	L	L177RRE09SVFM		
177RREG09S	L	L177RREG09S		
177RREH09S	L	L177RREH09S		
177SDA15S	L	L177SDA15S		
177SDA15S1ACH3F	L	L177SDA15S1ACH3F		
177SDA15S1ACH3R	L	L177SDA15S1ACH3R		
177SDA15S1ACH4F	L	L177SDA15S1ACH4F		
177SDA15S1ACH4R	L	L177SDA15S1ACH4R		
177SDA15SA4CH3F	L	L177SDA15SA4CH3F		

ASF "own" and original PN's not RoHs		Compliant RoHs PN's WITH or WHITHOUT " L " to be ordered with " L "		
		Compliant PN's since the 1st of July 2005 to be ordered with " L "		
		PN's not RoHs, to be ordered WITHOUT the " L " untill new information		
Original Part Numbers		RoHs part numbers (all connectors are with tinned shells)	What has changed to be RoHs	To be changed to be RoHs
177SDA15SA4CH3R	L	L177SDA15SA4CH3R		
177SDA15SA4CH4F	L	L177SDA15SA4CH4F		
177SDA15SA4CH4R	L	L177SDA15SA4CH4R		
177SDA15SABCH3F	L	L177SDA15SABCH3F		
177SDA15SABCH3R	L	L177SDA15SABCH3R		
177SDA15SABCH4F	L	L177SDA15SABCH4F		
177SDA15SABCH4R	L	L177SDA15SABCH4R		
177SDA15SOL2	L	L177SDA15SOL2		
177SDA15SOL2G	L	L177SDA15SOL2G		
177SDA15SVF	L	L177SDA15SVF		
177SDA15SVFM	L	L177SDA15SVFM		
177SDAG15S	L	L177SDAG15S		
177SDAG15SOL2	L	L177SDAG15SOL2		
177SDAG15SOL2G	L	L177SDAG15SOL2G		
177SDAG15SOL2RM5	L	L177SDAG15SOL2RM5		
177SDAG15SOL2RM5G	L	L177SDAG15SOL2RM5G		
177SDAG15SOL2RM8	L	L177SDAG15SOL2RM8		
177SDAG15SOL2RM8G	L	L177SDAG15SOL2RM8G		
177SDAH15S	L	L177SDAH15S		
177SDAH15SOL2	L	L177SDAH15SOL2		
177SDAH15SOL2G	L	L177SDAH15SOL2G		
177SDAH15SOL2RM5	L	L177SDAH15SOL2RM5		
177SDAH15SOL2RM5G	L	L177SDAH15SOL2RM5G		
177SDAH15SOL2RM8	L	L177SDAH15SOL2RM8		
177SDAH15SOL2RM8G	L	L177SDAH15SOL2RM8G		
177SDB25S	L	L177SDB25S		
177SDB25S1ACH3F	L	L177SDB25S1ACH3F		
177SDB25S1ACH3R	L	L177SDB25S1ACH3R		
177SDB25S1ACH4F	L	L177SDB25S1ACH4F		
177SDB25S1ACH4R	L	L177SDB25S1ACH4R		
177SDB25SA4CH3F	L	L177SDB25SA4CH3F		
177SDB25SA4CH3R	L	L177SDB25SA4CH3R		
177SDB25SA4CH4F	L	L177SDB25SA4CH4F		
177SDB25SA4CH4R	L	L177SDB25SA4CH4R		

ASF "own" and original PN's not RoHs		Compliant RoHs PN's WITH or WHITHOUT " L " to be ordered with " L "		
		Compliant PN's since the 1st of July 2005 to be ordered with " L "		
		PN's not RoHs, to be ordered WITHOUT the " L " untill new information		
Original Part Numbers		RoHs part numbers (all connectors are with tinned shells)	What has changed to be RoHs	To be changed to be RoHs
177SDB25SABCH3F	L	L177SDB25SABCH3F		
177SDB25SABCH3R	L	L177SDB25SABCH3R		
177SDB25SABCH4F	L	L177SDB25SABCH4F		
177SDB25SABCH4R	L	L177SDB25SABCH4R		
177SDB25SOL2	L	L177SDB25SOL2		
177SDB25SOL2G	L	L177SDB25SOL2G		
177SDB25SVF	L	L177SDB25SVF		
177SDB25SVFM	L	L177SDB25SVFM		
177SDBG25S	L	L177SDBG25S		
177SDBG25SOL2	L	L177SDBG25SOL2		
177SDBG25SOL2G	L	L177SDBG25SOL2G		
177SDBG25SOL2RM5	L	L177SDBG25SOL2RM5		
177SDBG25SOL2RM5G	L	L177SDBG25SOL2RM5G		
177SDBG25SOL2RM8	L	L177SDBG25SOL2RM8		
177SDBG25SOL2RM8G	L	L177SDBG25SOL2RM8G		
177SDBH25S	L	L177SDBH25S		
177SDBH25SOL2	L	L177SDBH25SOL2		
177SDBH25SOL2G	L	L177SDBH25SOL2G		
177SDBH25SOL2RM5	L	L177SDBH25SOL2RM5		
177SDBH25SOL2RM5G	L	L177SDBH25SOL2RM5G		
177SDBH25SOL2RM8	L	L177SDBH25SOL2RM8		
177SDBH25SOL2RM8G	L	L177SDBH25SOL2RM8G		
177SDC37S	L	L177SDC37S		
177SDC37S1ACH3F	L	L177SDC37S1ACH3F		
177SDC37S1ACH3R	L	L177SDC37S1ACH3R		
177SDC37S1ACH4F	L	L177SDC37S1ACH4F		
177SDC37S1ACH4R	L	L177SDC37S1ACH4R		
177SDC37SA4CH3F	L	L177SDC37SA4CH3F		
177SDC37SA4CH3R	L	L177SDC37SA4CH3R		
177SDC37SA4CH4F	L	L177SDC37SA4CH4F		
177SDC37SA4CH4R	L	L177SDC37SA4CH4R		
177SDC37SABCH3F	L	L177SDC37SABCH3F		
177SDC37SABCH3R	L	L177SDC37SABCH3R		
177SDC37SABCH4F	L	L177SDC37SABCH4F		

ASF "own" and original PN's not RoHs		Compliant RoHs PN's WITH or WHITHOUT " L " to be ordered with " L "		
		Compliant PN's since the 1st of July 2005 to be ordered with " L "		
		PN's not RoHs, to be ordered WITHOUT the " L " untill new information		
Original Part Numbers		RoHs part numbers (all connectors are with tinned shells)	What has changed to be RoHs	To be changed to be RoHs
177SDC37SABCH4R	L	L177SDC37SABCH4R		
177SDC37SOL2	L	L177SDC37SOL2		
177SDC37SOL2G	L	L177SDC37SOL2G		
177SDC37SVF	L	L177SDC37SVF		
177SDC37SVFM	L	L177SDC37SVFM		
177SDCG37S	L	L177SDCG37S		
177SDCG37SOL2	L	L177SDCG37SOL2		
177SDCG37SOL2G	L	L177SDCG37SOL2G		
177SDCG37SOL2RM5	L	L177SDCG37SOL2RM5		
177SDCG37SOL2RM5G	L	L177SDCG37SOL2RM5G		
177SDCG37SOL2RM8	L	L177SDCG37SOL2RM8		
177SDCG37SOL2RM8G	L	L177SDCG37SOL2RM8G		
177SDCH37S	L	L177SDCH37S		
177SDCH37SOL2	L	L177SDCH37SOL2		
177SDCH37SOL2G	L	L177SDCH37SOL2G		
177SDCH37SOL2RM5	L	L177SDCH37SOL2RM5		
177SDCH37SOL2RM5G	L	L177SDCH37SOL2RM5G		
177SDCH37SOL2RM8	L	L177SDCH37SOL2RM8		
177SDCH37SOL2RM8G	L	L177SDCH37SOL2RM8G		
177SDD50S	L	L177SDD50S		
177SDD50SOL2	L	L177SDD50SOL2		
177SDD50SOL2G	L	L177SDD50SOL2G		
177SDD50SVF	L	L177SDD50SVF		
177SDD50SVFM	L	L177SDD50SVFM		
177SDDG50S	L	L177SDDG50S		
177SDDG50SOL2	L	L177SDDG50SOL2		
177SDDG50SOL2G	L	L177SDDG50SOL2G		
177SDDG50SOL2RM5	L	L177SDDG50SOL2RM5		
177SDDG50SOL2RM5G	L	L177SDDG50SOL2RM5G		
177SDDG50SOL2RM8	L	L177SDDG50SOL2RM8		
177SDDG50SOL2RM8G	L	L177SDDG50SOL2RM8G		
177SDDH50S	L	L177SDDH50S		
177SDDH50SOL2	L	L177SDDH50SOL2		
177SDDH50SOL2G	L	L177SDDH50SOL2G		

ASF "own" and original PN's not RoHs		Compliant RoHs PN's WITH or WHITHOUT " L " to to be ordered with " L "		
		Compliant PN's since the 1st of July 2005 to to be ordered with " L "		
		PN's not RoHs, to be ordered WITHOUT the " L " untill new information		
Original Part Numbers		RoHs part numbers (all connectors are with tinned shells)	What has changed to be RoHs	To be changed to be RoHs
177SDDH50SOL2RM5G	L	L177SDDH50SOL2RM5G		
177SDDH50SOL2RM8	L	L177SDDH50SOL2RM8		
177SDDH50SOL2RM8G	L	L177SDDH50SOL2RM8G		
177SDE09S	L	L177SDE09S		
177SDE09S1ACH3F	L	L177SDE09S1ACH3F		
177SDE09S1ACH3R	L	L177SDE09S1ACH3R		
177SDE09S1ACH4F	L	L177SDE09S1ACH4F		
177SDE09S1ACH4R	L	L177SDE09S1ACH4R		
177SDE09SA4CH3F	L	L177SDE09SA4CH3F		
177SDE09SA4CH3R	L	L177SDE09SA4CH3R		
177SDE09SA4CH4F	L	L177SDE09SA4CH4F		
177SDE09SA4CH4R	L	L177SDE09SA4CH4R		
177SDE09SABCH3F	L	L177SDE09SABCH3F		
177SDE09SABCH3R	L	L177SDE09SABCH3R		
177SDE09SABCH4F	L	L177SDE09SABCH4F		
177SDE09SABCH4R	L	L177SDE09SABCH4R		
177SDE09SOL2	L	L177SDE09SOL2		
177SDE09SOL2G	L	L177SDE09SOL2G		
177SDE09SVF	L	L177SDE09SVF		
177SDE09SVFM	L	L177SDE09SVFM		
177SDEG09S	L	L177SDEG09S		
177SDEG09SOL2	L	L177SDEG09SOL2		
177SDEG09SOL2G	L	L177SDEG09SOL2G		
177SDEG09SOL2RM5	L	L177SDEG09SOL2RM5		
177SDEG09SOL2RM5G	L	L177SDEG09SOL2RM5G		
177SDEG09SOL2RM8	L	L177SDEG09SOL2RM8		
177SDEG09SOL2RM8G	L	L177SDEG09SOL2RM8G		
177SDEH09S	L	L177SDEH09S		
177SDEH09SOL2	L	L177SDEH09SOL2		
177SDEH09SOL2G	L	L177SDEH09SOL2G		
177SDEH09SOL2RM5	L	L177SDEH09SOL2RM5		
177SDEH09SOL2RM5G	L	L177SDEH09SOL2RM5G		
177SDEH09SOL2RM8	L	L177SDEH09SOL2RM8		
177SDEH09SOL2RM8G	L	L177SDEH09SOL2RM8G		

ASF "own" and original PN's not RoHs		Compliant RoHs PN's WITH or WHITHOUT " L " to be ordered with " L "		
		Compliant PN's since the 1st of July 2005 to be ordered with " L "		
		PN's not RoHs, to be ordered WITHOUT the " L " untill new information		
Original Part Numbers		RoHs part numbers (all connectors are with tinned shells)	What has changed to be RoHs	To be changed to be RoHs
177SDH50SOL2RM5	L	L177SDH50SOL2RM5		
177TSAG15SOL2	L	L177TSAG15SOL2		
177TSAG15SOL2RM5	L	L177TSAG15SOL2RM5		
177TSAG15SOL2RM8	L	L177TSAG15SOL2RM8		
177TSAH15SOL2	L	L177TSAH15SOL2		
177TSAH15SOL2RM5	L	L177TSAH15SOL2RM5		
177TSAH15SOL2RM8	L	L177TSAH15SOL2RM8		
177TSBG25SOL2	L	L177TSBG25SOL2		
177TSBG25SOL2RM5	L	L177TSBG25SOL2RM5		
177TSBG25SOL2RM8	L	L177TSBG25SOL2RM8		
177TSBH25SOL2	L	L177TSBH25SOL2		
177TSBH25SOL2RM5	L	L177TSBH25SOL2RM5		
177TSBH25SOL2RM8	L	L177TSBH25SOL2RM8		
177TSCG37SOL2	L	L177TSCG37SOL2		
177TSCG37SOL2RM5	L	L177TSCG37SOL2RM5		
177TSCG37SOL2RM8	L	L177TSCG37SOL2RM8		
177TSCH37SOL2	L	L177TSCH37SOL2		
177TSCH37SOL2RM5	L	L177TSCH37SOL2RM5		
177TSCH37SOL2RM8	L	L177TSCH37SOL2RM8		
177TSEG09SOL2	L	L177TSEG09SOL2		
177TSEG09SOL2RM5	L	L177TSEG09SOL2RM5		
177TSEG09SOL2RM8	L	L177TSEG09SOL2RM8		
177TSEH09SOL2	L	L177TSEH09SOL2		
177TSEH09SOL2RM5	L	L177TSEH09SOL2RM5		
177TSEH09SOL2RM8	L	L177TSEH09SOL2RM8		
177TWA3W3SMP2V4FRM6	L	L177TWA3W3SMP2V4FRM6		
177TWA3W3SMP3V4RRM6	L	L177TWA3W3SMP3V4RRM6		
177TWA3W3SP2Y	L	L177TWA3W3SP2Y		
177TWA3W3SP3YRM84	L	L177TWA3W3SP3YRM84		
177TWA7W2S	L	L177TWA7W2S		
177TWA7W2SP2SY3R	L	L177TWA7W2SP2SY3R		
177TWB13W3S	L	L177TWB13W3S		
177TWB13W3S4R	L	L177TWB13W3S4R		
177TWB17W2SSY	L	L177TWB17W2SSY		

Cts Tails :from tin-lead to tin or gold
 Cts Tails :from tin-lead to tin or gold
 Cts Tails :from tin-lead to tin or gold
 Cts Tails :from tin-lead to tin or gold
 Cts Tails :from tin-lead to tin or gold

ASF "own" and original PN's not RoHs		Compliant RoHs PN's WITH or WHITHOUT " L " to be ordered with " L "		
		Compliant PN's since the 1st of July 2005 to be ordered with " L "		
		PN's not RoHs, to be ordered WITHOUT the " L " untill new information		
Original Part Numbers		RoHs part numbers (all connectors are with tinned shells)	What has changed to be RoHs	To be changed to be RoHs
177TWB21W1PSY	L	L177TWB21W1PSY		
177TWB21W1SSY	L	L177TWB21W1SSY		
177TWC17W5S	L	L177TWC17W5S		
177TWC17W5SESV	L	L177TWC17W5SESV		
177TWC17W5SSY	L	L177TWC17W5SSY		
177TWC25W3S	L	L177TWC25W3S		
177TWC8W8PMCV4FRM6	L	L177TWC8W8PMCV4FRM6		
177TWC8W8SMCV3FRM6	L	L177TWC8W8SMCV3FRM6		
177TWD24W7PP3SYRM54	L	L177TWD24W7PP3SYRM54		
17D4G81901KITEQ9A37AVIS	L	L17D4G81901KITEQ9A37AVIS		
17D4G82001KITEQ50AVIS	L	L17D4G82001KITEQ50AVIS		
17D4G85001KITEQ9A37MEMIL	L	L17D4G85001KITEQ9A37MEMIL		
17D4G85101KITEQ50MEMIL	L	L17D4G85101KITEQ50MEMIL		
17D4J25401VIS4-40CAP.15..	L	L17D4J25401VIS4-40CAP.15..		
17D4J37801KITEQ9A37PLMIL	L	L17D4J37801KITEQ9A37PLMIL		
17D4J37901KITEQ50PLMIL	L	L17D4J37901KITEQ50PLMIL		
17D4J38001KITEQ9A37MEHE5	L	L17D4J38001KITEQ9A37MEHE5		
17D4J38101KITEQ50MEHE5	L	L17D4J38101KITEQ50MEHE5		
17D4J38401KITEQ50PLHE5	L	L17D4J38401KITEQ50PLHE5		
17D4J53901VIS4-40(CAPOTHV	L	L17D4J53901VIS4-40(CAPOTHV		
17D4K63009CACHEP09CHAINE	L	L17D4K63009CACHEP09CHAINE		
17D4K63010CACHEP09	L	L17D4K63010CACHEP09		
17D4K63015CACHEP15CHAINE	L	L17D4K63015CACHEP15CHAINE		
17D4K63016CACHEP15	L	L17D4K63016CACHEP15		
17D4K63025CACHEP25CHAINE	L	L17D4K63025CACHEP25CHAINE		
17D4K63026CACHEP25	L	L17D4K63026CACHEP25		
17D4K63037CACHEP37CHAINE	L	L17D4K63037CACHEP37CHAINE		
17D4K63038CACHEP37	L	L17D4K63038CACHEP37		
17D4K63050CACHEP50CHAINE	L	L17D4K63050CACHEP50CHAINE		
17D4K63051CACHEP50	L	L17D4K63051CACHEP50		
17D4K63109CACHES09CHAINE	L	L17D4K63109CACHES09CHAINE		
17D4K63110CACHES09	L	L17D4K63110CACHES09		
17D4K63115CACHES15CHAINE	L	L17D4K63115CACHES15CHAINE		
17D4K63116CACHES15	L	L17D4K63116CACHES15		

Cts Tails :from tin-lead to tin or gold
 Cts Tails :from tin-lead to tin or gold
 Cts Tails :from tin-lead to tin or gold
 Cts Tails :from tin-lead to tin or gold
 Cts Tails :from tin-lead to tin or gold

ASF "own" and original PN's not RoHs		Compliant RoHs PN's WITH or WHITHOUT " L " to be ordered with " L "		
		Compliant PN's since the 1st of July 2005 to be ordered with " L "		
		PN's not RoHs, to be ordered WITHOUT the " L " untill new information		
Original Part Numbers		RoHs part numbers (all connectors are with tinned shells)	What has changed to be RoHs	To be changed to be RoHs
17D4K63125CACHES25CHAINE	L	L17D4K63125CACHES25CHAINE		
17D4K63126CACHES25	L	L17D4K63126CACHES25		
17D4K63137CACHES37CHAINE	L	L17D4K63137CACHES37CHAINE		
17D4K63138CACHES37	L	L17D4K63138CACHES37		
17D4K63151CACHES50	L	L17D4K63151CACHES50		
17D4M01401CTHPMALE30A	L	L17D4M01401CTHPMALE30A		
17D4M01601CTHPFEM.30A	L	L17D4M01601CTHPFEM.30A		
17D4W04450H	L	L17D4W04450H		
17D4W04451HCTSMHP15ACB8	L	L17D4W04451HCTSMHP15ACB8		
17D4W05450H	L	L17D4W05450H		
17D4W05451HCTSFHP15ACA13	L	L17D4W05451HCTSFHP15ACA13		
17D4W30403CF.DROITEY/CI	L	L17D4W30403CF.DROITEY/CI		
17D4W30503CF.COUDEEY/CI	L	L17D4W30503CF.COUDEEY/CI		
17D4W31403CE.DROITEY/CI	L	L17D4W31403CE.DROITEY/CI		
17D4W31503CE.COUDEEY/CI	L	L17D4W31503CE.COUDEEY/CI		
17DA15P	L	L717DA15P		
17DA15P1AMN	L	L717DA15P1AMN		
17DA15P1AON	L	L717DA15P1AON		
17DA15P1APN	L	L717DA15P1APN		
17DA15P1ATN	L	L717DA15P1ATN		
17DA15P1BON	L	L717DA15P1BON		
17DA15P1BTN	L	L717DA15P1BTN		
17DA15PA	L	L717DA15PA		
17DA15PAJ4	L	L717DA15PAJ4		
17DA15PAM4	L	L717DA15PAM4		
17DA15PAM4B	L	L717DA15PAM4B		
17DA15PAZ4	L	L717DA15PAZ4		
17DA15PC	L	L717DA15PC		
77SDAH15POL2	L	L717DA15PF179		
17DA15PF179A	L	L717DA15PF179A		
17DA15POL2	L	L717DA15POL2		
17DA15PT	L	L717DA15PT		
17DA15PU	L	L717DA15PU		

Shells : from Zinc to Tin

Cts Tails :from tin-lead to tin or gold
 Cts Tails :from tin-lead to tin or gold
 Cts Tails :from tin-lead to tin or gold
 Cts Tails :from tin-lead to tin or gold
 Cts Tails :from tin-lead to tin or gold
 Cts Tails :from tin-lead to tin or gold
 Cts Tails :from tin-lead to tin or gold
 Cts Tails :from tin-lead to tin or gold
 Cts Tails :from tin-lead to tin or gold
 Cts Tails :from tin-lead to tin or gold
 Cts Tails :from tin-lead to tin or gold
 Cts Tails :from tin-lead to tin or gold

Shells : from Zinc to Tin
 Shells : from Zinc to Tin
 Shells : from Zinc to Tin
 Shells : from Zinc to Tin
 Shells : from Zinc to Tin

ASF "own" and original PN's not RoHs		Compliant RoHs PN's WITH or WHITHOUT " L " to be ordered with " L "		
		Compliant PN's since the 1st of July 2005 to be ordered with " L "		
		PN's not RoHs, to be ordered WITHOUT the " L " untill new information		
Original Part Numbers		RoHs part numbers (all connectors are with tinned shells)	What has changed to be RoHs	To be changed to be RoHs
17DA15PV	L	L717DA15PV	Shells : from Zinc to Tin	
17DA15S	L	L77DA15S	Shells : from Zinc to Tin	
17DA15S1AMN	L	L77DA15S1AMN		Cts Tails :from tin-lead to tin or gold
17DA15S1AON	L	L77DA15S1AON		Cts Tails :from tin-lead to tin or gold
17DA15S1APN	L	L77DA15S1APN		Cts Tails :from tin-lead to tin or gold
17DA15S1ATN	L	L77DA15S1ATN		Cts Tails :from tin-lead to tin or gold
17DA15S1AUN	L	L77DA15S1AUN		Cts Tails :from tin-lead to tin or gold
17DA15S1BON	L	L77DA15S1BON		Cts Tails :from tin-lead to tin or gold
17DA15S1BTN	L	L77DA15S1BTN		Cts Tails :from tin-lead to tin or gold
17DA15SA	L	L77DA15SA		Cts Tails :from tin-lead to tin or gold
17DA15SAJ4	L	L77DA15SAJ4		Cts Tails :from tin-lead to tin or gold
17DA15SAM4	L	L77DA15SAM4		Cts Tails :from tin-lead to tin or gold
17DA15SAM4B	L	L77DA15SAM4B		Cts Tails :from tin-lead to tin or gold
17DA15SAZ4	L	L77DA15SAZ4		Cts Tails :from tin-lead to tin or gold
17DA15SC	L	L77DA15SC		Cts Tails :from tin-lead to tin or gold
17DA15SC309	L	L77DA15SC309	Shells : from Zinc to Tin	
17DA15SF179	L	L77DA15SF179	Shells : from Zinc to Tin	
17DA15SF179A	L	L77DA15SF179A	Shells : from Zinc to Tin	
17DA15SF179C309	L	L77DA15SF179C309	Shells : from Zinc to Tin	
17DA15SOL2	L	L77DA15SOL2	Shells : from Zinc to Tin	
17DA15SOL2VF	L	L77DA15SOL2VF	Shells : from Zinc to Tin	
17DA15ST	L	L77DA15ST	Shells : from Zinc to Tin	
17DA15SU	L	L77DA15SU	Shells : from Zinc to Tin	
17DA15SV	L	L77DA15SV	Shells : from Zinc to Tin	
17DA15SVF	L	L77DA15SVF	Shells : from Zinc to Tin	
17DAF15P	L	L717DAF15P	Shells : from Zinc to Tin	
17DAF15S	L	L77DAF15S	Shells : from Zinc to Tin	
17DAF15SF179A	L	L77DAF15SF179A	Shells : from Zinc to Tin	
17DAF15SU	L	L77DAF15SU	Shells : from Zinc to Tin	
17DAFRA15P	L	L17DAFRA15P		
17DAFRA15PC309	L	L17DAFRA15PC309		
17DAFRA15S	L	L17DAFRA15S		
17DAFRA15SC309	L	L17DAFRA15SC309		
17DAFRAA15P	L	L17DAFRAA15P		

ASF "own" and original
PN's not RoHs

Compliant RoHs PN's WITH or WHITHOUT " L " ~~to~~ be ordered with " L "

Compliant PN's since the 1st of July 2005 ~~to~~ be ordered with " L "

PN's not RoHs, to be ordered WITHOUT the " L " untill new information

Original Part Numbers		RoHs part numbers (all connectors are with tinned shells)	What has changed to be RoHs	To be changed to be RoHs
17DAFRAA15PC309	L	L17DAFRAA15PC309		
17DAFRAA15S	L	L17DAFRAA15S		
17DAFRAA15SC309	L	L17DAFRAA15SC309		
17DAFRAB15P	L	L17DAFRAB15P		
17DAFRAB15PC309	L	L17DAFRAB15PC309		
17DAFRAB15S	L	L17DAFRAB15S		
17DAFRAB15SC309	L	L17DAFRAB15SC309		
17DAFRB15P	L	L17DAFRB15P		
17DAFRB15PC309	L	L17DAFRB15PC309		
17DAFRB15S	L	L17DAFRB15S		
17DAFRB15SC309	L	L17DAFRB15SC309		
17DAFRBA15P	L	L17DAFRBA15P		
17DAFRBA15PC309	L	L17DAFRBA15PC309		
17DAFRBA15S	L	L17DAFRBA15S		
17DAFRBA15SC309	L	L17DAFRBA15SC309		
17DAFRBB15P	L	L17DAFRBB15P		
17DAFRBB15PC309	L	L17DAFRBB15PC309		
17DAFRBB15S	L	L17DAFRBB15S		
17DAFRBB15SC309	L	L17DAFRBB15SC309		
17DAFRCA15P	L	L17DAFRCA15P		
17DAFRCA15PC309	L	L17DAFRCA15PC309		
17DAFRCA15S	L	L17DAFRCA15S		
17DAFRCA15SC309	L	L17DAFRCA15SC309		
17DAFRCB15P	L	L17DAFRCB15P		
17DAFRCB15PC309	L	L17DAFRCB15PC309		
17DAFRCB15S	L	L17DAFRCB15S		
17DAFRCB15SC309	L	L17DAFRCB15SC309		
17DAFRDA15P	L	L17DAFRDA15P		
17DAFRDA15PC309	L	L17DAFRDA15PC309		
17DAFRDA15S	L	L17DAFRDA15S		
17DAFRDA15SC309	L	L17DAFRDA15SC309		
17DAFRDB15P	L	L17DAFRDB15P		
17DAFRDB15PC309	L	L17DAFRDB15PC309		
17DAFRDB15S	L	L17DAFRDB15S		

ASF "own" and original PN's not RoHs		Compliant RoHs PN's WITH or WITHOUT " L " to be ordered with " L "		
		Compliant PN's since the 1st of July 2005 to be ordered with " L "		
		PN's not RoHs, to be ordered WITHOUT the " L " untill new information		
Original Part Numbers		RoHs part numbers (all connectors are with tinned shells)	What has changed to be RoHs	To be changed to be RoHs
17DAFRDB15SC309	L	L17DAFRDB15SC309		
17DAG15S	L	L77DAG15S	Shells : from Zinc to Tin	
17DAG15SF179A	L	L77DAG15SF179A	Shells : from Zinc to Tin	
17DAH15P	L	L717DAH15P	Shells : from Zinc to Tin	
17DAH15P1AMN	L	L717DAH15P1AMN		Cts Tails :from tin-lead to tin or gold
17DAH15PC	L	L717DAH15PC		Cts Tails :from tin-lead to tin or gold
17DAH15POL2	L	L717DAH15POL2	Shells : from Zinc to Tin	
17DAH15PU	L	L717DAH15PU	Shells : from Zinc to Tin	
17DAH15S1AON	L	L77DAH15S1AON		Cts Tails :from tin-lead to tin or gold
17DAH15SAJ4	L	L77DAH15SAJ4		Cts Tails :from tin-lead to tin or gold
17DAH15SOL2	L	L77DAH15SOL2	Shells : from Zinc to Tin	
17DAH15SOL2RM5	L	L77DAH15SOL2RM5	Shells : from Zinc to Tin	
17DAH15ST	L	L77DAH15ST	Shells : from Zinc to Tin	
17DAH15SU	L	L77DAH15SU	Shells : from Zinc to Tin	
17DAH15SV	L	L77DAH15SV	Shells : from Zinc to Tin	
17DAM11W1P	L	L717DAM11W1P	Shells : from Zinc to Tin	
17DAM11W1P1AMN	L	L717DAM11W1P1AMN		Cts Tails :from tin-lead to tin or gold
17DAM11W1PA	L	L717DAM11W1PA		Cts Tails :from tin-lead to tin or gold
17DAM11W1POL3	L	L717DAM11W1POL3	Shells : from Zinc to Tin	
17DAM11W1POL3VF	L	L717DAM11W1POL3VF	Shells : from Zinc to Tin	
17DAM11W1S	L	L77DAM11W1S		Cts Tails :from tin-lead to tin or gold
17DAM11W1S1AMN	L	L77DAM11W1S1AMN		Cts Tails :from tin-lead to tin or gold
17DAM11W1SC	L	L77DAM11W1SC		Cts Tails :from tin-lead to tin or gold
17DAM11W1SOL3	L	L77DAM11W1SOL3		Cts Tails :from tin-lead to tin or gold
17DAM3W3P	L	L717DAM3W3P	Shells : from Zinc to Tin	
17DAM3W3P1AMN	L	L717DAM3W3P1AMN		Cts Tails :from tin-lead to tin or gold
17DAM3W3S	L	L77DAM3W3S	Shells : from Zinc to Tin	
17DAM7W2P	L	L717DAM7W2P	Shells : from Zinc to Tin	
17DAM7W2P1AMN	L	L717DAM7W2P1AMN		Cts Tails :from tin-lead to tin or gold
17DAM7W2PF179A	L	L717DAM7W2PF179A	Shells : from Zinc to Tin	
17DAM7W2POL3	L	L717DAM7W2POL3	Shells : from Zinc to Tin	
17DAM7W2S	L	L77DAM7W2S		Cts Tails :from tin-lead to tin or gold
17DAM7W2S1AON	L	L77DAM7W2S1AON		Cts Tails :from tin-lead to tin or gold
17DAM7W2SC	L	L77DAM7W2SC		Cts Tails :from tin-lead to tin or gold

ASF "own" and original PN's not RoHs		Compliant RoHs PN's WITH or WHITHOUT " L " to be ordered with " L "		
		Compliant PN's since the 1st of July 2005 to be ordered with " L "		
		PN's not RoHs, to be ordered WITHOUT the " L " untill new information		
Original Part Numbers		RoHs part numbers (all connectors are with tinned shells)	What has changed to be RoHs	To be changed to be RoHs
17DAMF11W1S	L	L77DAMF11W1S		Cts Tails :from tin-lead to tin or gold
17DAMF3W3P	L	L717DAMF3W3P	Shells : from Zinc to Tin	
17DAMF3W3S	L	L77DAMF3W3S	Shells : from Zinc to Tin	
17DAMF7W2P	L	L717DAMF7W2P	Shells : from Zinc to Tin	
17DAMF7W2S	L	L77DAMF7W2S		Cts Tails :from tin-lead to tin or gold
17DAMG11W1PF179A	L	L717DAMG11W1PF179A	Shells : from Zinc to Tin	
17DAMG3W3P	L	L717DAMG3W3P	Shells : from Zinc to Tin	
17DAMH11W1PA	L	L717DAMH11W1PA		Cts Tails :from tin-lead to tin or gold
17DAMH3W3P	L	L717DAMH3W3P	Shells : from Zinc to Tin	
17DAMH3W3S	L	L77DAMH3W3S		Cts Tails :from tin-lead to tin or gold
17DB25P	L	L717DB25P	Shells : from Zinc to Tin	
17DB25P1AMN	L	L717DB25P1AMN		Cts Tails :from tin-lead to tin or gold
17DB25P1AON	L	L717DB25P1AON		Cts Tails :from tin-lead to tin or gold
17DB25P1APN	L	L717DB25P1APN		Cts Tails :from tin-lead to tin or gold
17DB25P1ATN	L	L717DB25P1ATN		Cts Tails :from tin-lead to tin or gold
17DB25P1AUN	L	L717DB25P1AUN		Cts Tails :from tin-lead to tin or gold
17DB25P1BPN	L	L717DB25P1BPN		Cts Tails :from tin-lead to tin or gold
17DB25P1BUN	L	L717DB25P1BUN		Cts Tails :from tin-lead to tin or gold
17DB25PA	L	L717DB25PA		Cts Tails :from tin-lead to tin or gold
17DB25PA4	L	L717DB25PA4		Cts Tails :from tin-lead to tin or gold
17DB25PA4B	L	L717DB25PA4B		Cts Tails :from tin-lead to tin or gold
17DB25PAJ3	L	L717DB25PAJ3		Cts Tails :from tin-lead to tin or gold
17DB25PAM4	L	L717DB25PAM4		Cts Tails :from tin-lead to tin or gold
17DB25PAM4B	L	L717DB25PAM4B		Cts Tails :from tin-lead to tin or gold
17DB25PAZ4	L	L717DB25PAZ4		Cts Tails :from tin-lead to tin or gold
17DB25PC	L	L717DB25PC		Cts Tails :from tin-lead to tin or gold
17DB25PF179	L	L717DB25PF179	Shells : from Zinc to Tin	
17DB25PF179A	L	L717DB25PF179A	Shells : from Zinc to Tin	
17DB25POL2	L	L717DB25POL2	Shells : from Zinc to Tin	
17DB25POL2VF	L	L717DB25POL2VF	Shells : from Zinc to Tin	
17DB25PT	L	L717DB25PT	Shells : from Zinc to Tin	
17DB25PU	L	L717DB25PU	Shells : from Zinc to Tin	
17DB25PV	L	L717DB25PV	Shells : from Zinc to Tin	
17DB25S	L	L77DB25S	Shells : from Zinc to Tin	

ASF "own" and original PN's not RoHs		Compliant RoHs PN's WITH or WHITHOUT " L " to be ordered with " L "		
		Compliant PN's since the 1st of July 2005 to be ordered with " L "		
		PN's not RoHs, to be ordered WITHOUT the " L " untill new information		
Original Part Numbers		RoHs part numbers (all connectors are with tinned shells)	What has changed to be RoHs	To be changed to be RoHs
17DB25S1AMN	L	L77DB25S1AMN		Cts Tails :from tin-lead to tin or gold
17DB25S1AON	L	L77DB25S1AON		Cts Tails :from tin-lead to tin or gold
17DB25S1APN	L	L77DB25S1APN		Cts Tails :from tin-lead to tin or gold
17DB25S1AUN	L	L77DB25S1AUN		Cts Tails :from tin-lead to tin or gold
17DB25S1BPN	L	L77DB25S1BPN		Cts Tails :from tin-lead to tin or gold
17DB25S1BUN	L	L77DB25S1BUN		Cts Tails :from tin-lead to tin or gold
17DB25SA	L	L77DB25SA		Cts Tails :from tin-lead to tin or gold
17DB25SA4	L	L77DB25SA4		Cts Tails :from tin-lead to tin or gold
17DB25SAJ3	L	L77DB25SAJ3		Cts Tails :from tin-lead to tin or gold
17DB25SAJ4	L	L77DB25SAJ4		Cts Tails :from tin-lead to tin or gold
17DB25SAJ4VF2	L	L77DB25SAJ4VF2		Cts Tails :from tin-lead to tin or gold
17DB25SAM4	L	L77DB25SAM4		Cts Tails :from tin-lead to tin or gold
17DB25SAM4B	L	L77DB25SAM4B		Cts Tails :from tin-lead to tin or gold
17DB25SAZ4	L	L77DB25SAZ4		Cts Tails :from tin-lead to tin or gold
17DB25SC	L	L77DB25SC		Cts Tails :from tin-lead to tin or gold
17DB25SF179	L	L77DB25SF179	Shells : from Zinc to Tin	
17DB25SF179A	L	L77DB25SF179A	Shells : from Zinc to Tin	
17DB25SOL2	L	L77DB25SOL2	Shells : from Zinc to Tin	
17DB25SOL2VF	L	L77DB25SOL2VF	Shells : from Zinc to Tin	
17DB25ST	L	L77DB25ST	Shells : from Zinc to Tin	
17DB25STVF	L	L77DB25STVF	Shells : from Zinc to Tin	
17DB25STVFM	L	L77DB25STVFM	Shells : from Zinc to Tin	
17DB25SU	L	L77DB25SU	Shells : from Zinc to Tin	
17DB25SV	L	L77DB25SV	Shells : from Zinc to Tin	
17DB512261A	L	L17DB512261A	Shells : from Zinc to Tin	
17DBF25P	L	L717DBF25P	Shells : from Zinc to Tin	
17DBF25S	L	L77DBF25S	Shells : from Zinc to Tin	
17DBF25SF179A	L	L77DBF25SF179A	Shells : from Zinc to Tin	
17DBF25SU	L	L77DBF25SU	Shells : from Zinc to Tin	
17DBFRA25P	L	L17DBFRA25P		
17DBFRA25PC309	L	L17DBFRA25PC309		
17DBFRA25S	L	L17DBFRA25S		
17DBFRA25SC309	L	L17DBFRA25SC309		
17DBFRAA25P	L	L17DBFRAA25P		

ASF "own" and original PN's not RoHs		Compliant RoHs PN's WITH or WHITHOUT " L " to be ordered with " L "		
		Compliant PN's since the 1st of July 2005 to be ordered with " L "		
		PN's not RoHs, to be ordered WITHOUT the " L " untill new information		
Original Part Numbers		RoHs part numbers (all connectors are with tinned shells)	What has changed to be RoHs	To be changed to be RoHs
17DBFRAA25PC309	L	L17DBFRAA25PC309		
17DBFRAA25S	L	L17DBFRAA25S		
17DBFRAA25SC309	L	L17DBFRAA25SC309		
17DBFRAB25P	L	L17DBFRAB25P		
17DBFRAB25PC309	L	L17DBFRAB25PC309		
17DBFRAB25S	L	L17DBFRAB25S		
17DBFRAB25SC309	L	L17DBFRAB25SC309		
17DBFRB25P	L	L17DBFRB25P		
17DBFRB25PC309	L	L17DBFRB25PC309		
17DBFRB25S	L	L17DBFRB25S		
17DBFRB25SC309	L	L17DBFRB25SC309		
17DBFRBA25P	L	L17DBFRBA25P		
17DBFRBA25PC309	L	L17DBFRBA25PC309		
17DBFRBA25S	L	L17DBFRBA25S		
17DBFRBA25SC309	L	L17DBFRBA25SC309		
17DBFRBB25P	L	L17DBFRBB25P		
17DBFRBB25PC309	L	L17DBFRBB25PC309		
17DBFRBB25S	L	L17DBFRBB25S		
17DBFRBB25SC309	L	L17DBFRBB25SC309		
17DBFRCA25P	L	L17DBFRCA25P		
17DBFRCA25PC309	L	L17DBFRCA25PC309		
17DBFRCA25S	L	L17DBFRCA25S		
17DBFRCA25SC309	L	L17DBFRCA25SC309		
17DBFRCB25P	L	L17DBFRCB25P		
17DBFRCB25PC309	L	L17DBFRCB25PC309		
17DBFRCB25S	L	L17DBFRCB25S		
17DBFRCB25SC309	L	L17DBFRCB25SC309		
17DBFRDA25P	L	L17DBFRDA25P		
17DBFRDA25PC309	L	L17DBFRDA25PC309		
17DBFRDA25S	L	L17DBFRDA25S		
17DBFRDA25SC309	L	L17DBFRDA25SC309		
17DBFRDB25P	L	L17DBFRDB25P		
17DBFRDB25PC309	L	L17DBFRDB25PC309		
17DBFRDB25S	L	L17DBFRDB25S		

ASF "own" and original PN's not RoHs		Compliant RoHs PN's WITH or WHITHOUT " L " to be ordered with " L "		
		Compliant PN's since the 1st of July 2005 to be ordered with " L "		
		PN's not RoHs, to be ordered WITHOUT the " L " untill new information		
Original Part Numbers		RoHs part numbers (all connectors are with tinned shells)	What has changed to be RoHs	To be changed to be RoHs
17DBFRDB25SC309	L	L17DBFRDB25SC309		
17DBG25P1AMN	L	L717DBG25P1AMN		Cts Tails :from tin-lead to tin or gold
17DBG25S1APN	L	L717DBG25S1APN		Cts Tails :from tin-lead to tin or gold
17DBG25SAJ3	L	L77DBG25SAJ3		Cts Tails :from tin-lead to tin or gold
17DBG25SAJ4	L	L77DBG25SAJ4		Cts Tails :from tin-lead to tin or gold
17DBG25SAJ4VFM2	L	L77DBG25SAJ4VFM2		Cts Tails :from tin-lead to tin or gold
17DBG25SOL2	L	L77DBG25SOL2		
17DBG25SU	L	L77DBG25SU	Shells : from Zinc to Tin	
17DBH25P	L	L717DBH25P	Shells : from Zinc to Tin	
17DBH25P1AON	L	L717DBH25P1AON		Cts Tails :from tin-lead to tin or gold
17DBH25P1APN	L	L717DBH25P1APN		Cts Tails :from tin-lead to tin or gold
17DBH25PA	L	L717DBH25PA		Cts Tails :from tin-lead to tin or gold
17DBH25PF179	L	L717DBH25PF179	Shells : from Zinc to Tin	
17DBH25POL2	L	L717DBH25POL2	Shells : from Zinc to Tin	
17DBH25POL2RM5	L	L717DBH25POL2RM5	Shells : from Zinc to Tin	
17DBH25PT	L	L717DBH25PT	Shells : from Zinc to Tin	
17DBH25PU	L	L717DBH25PU	Shells : from Zinc to Tin	
17DBH25PV	L	L717DBH25PV	Shells : from Zinc to Tin	
17DBH25S1AMN	L	L77DBH25S1AMN		Cts Tails :from tin-lead to tin or gold
17DBH25SA	L	L77DBH25SA		Cts Tails :from tin-lead to tin or gold
17DBH25SAJ4	L	L77DBH25SAJ4		Cts Tails :from tin-lead to tin or gold
17DBH25SAM4	L	L77DBH25SAM4		Cts Tails :from tin-lead to tin or gold
17DBH25SAM4B	L	L77DBH25SAM4B		Cts Tails :from tin-lead to tin or gold
17DBH25SF179	L	L77DBH25SF179	Shells : from Zinc to Tin	
17DBH25SF179A	L	L77DBH25SF179A	Shells : from Zinc to Tin	
17DBH25SOL2	L	L77DBH25SOL2	Shells : from Zinc to Tin	
17DBH25ST	L	L77DBH25ST	Shells : from Zinc to Tin	
17DBH25SU	L	L77DBH25SU	Shells : from Zinc to Tin	
17DBM13W3P	L	L717DBM13W3P	Shells : from Zinc to Tin	
17DBM13W3POL3	L	L717DBM13W3POL3	Shells : from Zinc to Tin	
17DBM13W3POL3VF	L	L717DBM13W3POL3VF	Shells : from Zinc to Tin	
17DBM13W3PU	L	L717DBM13W3PU	Shells : from Zinc to Tin	
17DBM13W3S	L	L77DBM13W3S		Cts Tails :from tin-lead to tin or gold
17DBM13W3S1APN	L	L77DBM13W3S1APN		Cts Tails :from tin-lead to tin or gold

ASF "own" and original PN's not RoHs		Compliant RoHs PN's WITH or WHITHOUT " L " to be ordered with " L "		
		Compliant PN's since the 1st of July 2005 to be ordered with " L "		
		PN's not RoHs, to be ordered WITHOUT the " L " untill new information		
Original Part Numbers		RoHs part numbers (all connectors are with tinned shells)	What has changed to be RoHs	To be changed to be RoHs
17DBM13W3SOL3	L	L77DBM13W3SOL3		Cts Tails :from tin-lead to tin or gold
17DBM17W2P	L	L717DBM17W2P	Shells : from Zinc to Tin	
17DBM17W2P1AON	L	L717DBM17W2P1AON		Cts Tails :from tin-lead to tin or gold
17DBM17W2PF179	L	L717DBM17W2PF179	Shells : from Zinc to Tin	
17DBM17W2PF179A	L	L717DBM17W2PF179A	Shells : from Zinc to Tin	
17DBM17W2POL3	L	L717DBM17W2POL3	Shells : from Zinc to Tin	
17DBM17W2S	L	L77DBM17W2S		Cts Tails :from tin-lead to tin or gold
17DBM17W2S1AON	L	L77DBM17W2S1AON		Cts Tails :from tin-lead to tin or gold
17DBM17W2S1ATN	L	L77DBM17W2S1ATN		Cts Tails :from tin-lead to tin or gold
17DBM17W2S1AUN	L	L77DBM17W2S1AUN		Cts Tails :from tin-lead to tin or gold
17DBM17W2SA	L	L77DBM17W2SA		Cts Tails :from tin-lead to tin or gold
17DBM17W2SC	L	L77DBM17W2SC		Cts Tails :from tin-lead to tin or gold
17DBM17W2SM	L	L77DBM17W2SM		Cts Tails :from tin-lead to tin or gold
17DBM17W2SOL3	L	L77DBM17W2SOL3		Cts Tails :from tin-lead to tin or gold
17DBM21W1P	L	L717DBM21W1P	Shells : from Zinc to Tin	
17DBM21W1P1AON	L	L717DBM21W1P1AON		Cts Tails :from tin-lead to tin or gold
17DBM21W1S	L	L77DBM21W1S		Cts Tails :from tin-lead to tin or gold
17DBM5W5P	L	L717DBM5W5P	Shells : from Zinc to Tin	
17DBM5W5S	L	L77DBM5W5S	Shells : from Zinc to Tin	
17DBM9W4P	L	L717DBM9W4P	Shells : from Zinc to Tin	
17DBM9W4PA	L	L717DBM9W4PA		Cts Tails :from tin-lead to tin or gold
17DBM9W4PC	L	L717DBM9W4PC		Cts Tails :from tin-lead to tin or gold
17DBM9W4POL3	L	L717DBM9W4POL3	Shells : from Zinc to Tin	
17DBM9W4POL3VF	L	L717DBM9W4POL3VF	Shells : from Zinc to Tin	
17DBM9W4S	L	L77DBM9W4S		Cts Tails :from tin-lead to tin or gold
17DBM9W4SOL3	L	L77DBM9W4SOL3		Cts Tails :from tin-lead to tin or gold
17DBM9W4SOL4	L	L77DBM9W4SOL4		Cts Tails :from tin-lead to tin or gold
17DBMF13W3P	L	L717DBMF13W3P	Shells : from Zinc to Tin	
17DBMF13W3S	L	L77DBMF13W3S		Cts Tails :from tin-lead to tin or gold
17DBMF17W2S	L	L77DBMF17W2S		Cts Tails :from tin-lead to tin or gold
17DBMF17W2SOL3	L	L77DBMF17W2SOL3		Cts Tails :from tin-lead to tin or gold
17DBMF21W1S	L	L77DBMF21W1S		Cts Tails :from tin-lead to tin or gold
17DBMF5W5P	L	L717DBMF5W5P	Shells : from Zinc to Tin	
17DBMF5W5S	L	L77DBMF5W5S	Shells : from Zinc to Tin	

ASF "own" and original PN's not RoHs		Compliant RoHs PN's WITH or WHITHOUT " L " to be ordered with " L "		
		Compliant PN's since the 1st of July 2005 to be ordered with " L "		
		PN's not RoHs, to be ordered WITHOUT the " L " untill new information		
Original Part Numbers		RoHs part numbers (all connectors are with tinned shells)	What has changed to be RoHs	To be changed to be RoHs
17DBMG13W3P	L	L717DBMG13W3P	Shells : from Zinc to Tin	
17DBMG13W3P1AMN	L	L717DBMG13W3P1AMN		Cts Tails :from tin-lead to tin or gold
17DBMG17W2P1AMN	L	L717DBMG17W2P1AMN		Cts Tails :from tin-lead to tin or gold
17DBMG17W2POL3	L	L717DBMG17W2POL3	Shells : from Zinc to Tin	
17DBMG17W2SOL3	L	L77DBMG17W2SOL3		Cts Tails :from tin-lead to tin or gold
17DBMG21W1POL3	L	L717DBMG21W1POL3	Shells : from Zinc to Tin	
17DBMH13W3P	L	L717DBMH13W3P	Shells : from Zinc to Tin	
17DBMH13W3S	L	L77DBMH13W3S		Cts Tails :from tin-lead to tin or gold
17DBMH5W5P	L	L717DBMH5W5P	Shells : from Zinc to Tin	
17DBMH5W5S	L	L77DBMH5W5S	Shells : from Zinc to Tin	
17DBMH9W4P	L	L717DBMH9W4P	Shells : from Zinc to Tin	
17DBMH9W4P1AMN	L	L717DBMH9W4P1AMN		Cts Tails :from tin-lead to tin or gold
17DC37P	L	L717DC37P	Shells : from Zinc to Tin	
17DC37P1AON	L	L717DC37P1AON		Cts Tails :from tin-lead to tin or gold
17DC37P1APN	L	L717DC37P1APN		Cts Tails :from tin-lead to tin or gold
17DC37P1ATN	L	L717DC37P1ATN		Cts Tails :from tin-lead to tin or gold
17DC37P1AUN	L	L717DC37P1AUN		Cts Tails :from tin-lead to tin or gold
17DC37PA	L	L717DC37PA		Cts Tails :from tin-lead to tin or gold
17DC37PA4	L	L717DC37PA4		Cts Tails :from tin-lead to tin or gold
17DC37PAJ3	L	L717DC37PAJ3		Cts Tails :from tin-lead to tin or gold
17DC37PAJ4	L	L717DC37PAJ4		Cts Tails :from tin-lead to tin or gold
17DC37PAM4	L	L717DC37PAM4		Cts Tails :from tin-lead to tin or gold
17DC37PAM4B	L	L717DC37PAM4B		Cts Tails :from tin-lead to tin or gold
17DC37PC	L	L717DC37PC		Cts Tails :from tin-lead to tin or gold
17DC37PF179	L	L717DC37PF179	Shells : from Zinc to Tin	
17DC37PF179A	L	L717DC37PF179A	Shells : from Zinc to Tin	
17DC37POL2	L	L717DC37POL2	Shells : from Zinc to Tin	
17DC37PT	L	L717DC37PT	Shells : from Zinc to Tin	
17DC37PU	L	L717DC37PU	Shells : from Zinc to Tin	
17DC37PV	L	L717DC37PV	Shells : from Zinc to Tin	
17DC37S	L	L77DC37S	Shells : from Zinc to Tin	
17DC37S1AMN	L	L77DC37S1AMN		Cts Tails :from tin-lead to tin or gold
17DC37S1AON	L	L77DC37S1AON		Cts Tails :from tin-lead to tin or gold
17DC37S1APN	L	L77DC37S1APN		Cts Tails :from tin-lead to tin or gold

ASF "own" and original
PN's not RoHs

Compliant RoHs PN's WITH or WHITHOUT " L " ~~to~~ be ordered with " L "

Compliant PN's since the 1st of July 2005 ~~to~~ be ordered with " L "

PN's not RoHs, to be ordered WITHOUT the " L " untill new information

Original Part Numbers		RoHs part numbers (all connectors are with tinned shells)	What has changed to be RoHs	To be changed to be RoHs
17DC37S1ATN	L	L77DC37S1ATN		Cts Tails :from tin-lead to tin or gold
17DC37S1AUN	L	L77DC37S1AUN		Cts Tails :from tin-lead to tin or gold
17DC37S1BON	L	L77DC37S1BON		Cts Tails :from tin-lead to tin or gold
17DC37SA	L	L77DC37SA		Cts Tails :from tin-lead to tin or gold
17DC37SAM4	L	L77DC37SAM4		Cts Tails :from tin-lead to tin or gold
17DC37SAZ4	L	L77DC37SAZ4		Cts Tails :from tin-lead to tin or gold
17DC37SC	L	L77DC37SC		Cts Tails :from tin-lead to tin or gold
17DC37SF179	L	L77DC37SF179		
17DC37SF179A	L	L77DC37SF179A		
17DC37SF179C309	L	L77DC37SF179C309		
17DC37SOL2	L	L77DC37SOL2		
17DC37SOL2VF	L	L77DC37SOL2VF		
17DC37ST	L	L77DC37ST		
17DC37SU	L	L77DC37SU		
17DC37SV	L	L77DC37SV		
17DC37SVF	L	L77DC37SVF		
17DCF37P	L	L71DCF37P		
17DCF37S	L	L77DCF37S		
17DCFRA37PC309	L	L17DCFRA37PC309	Shells : from Zinc to Tin	
17DCFRA37S	L	L17DCFRA37S	Shells : from Zinc to Tin	
17DCFRA37SC309	L	L17DCFRA37SC309	Shells : from Zinc to Tin	
17DCFRAA37P	L	L17DCFRAA37P	Shells : from Zinc to Tin	
17DCFRAA37PC309	L	L17DCFRAA37PC309	Shells : from Zinc to Tin	
17DCFRAA37S	L	L17DCFRAA37S	Shells : from Zinc to Tin	
17DCFRAA37SC309	L	L17DCFRAA37SC309	Shells : from Zinc to Tin	
17DCFRA37P	L	L17DCFRA37P	Shells : from Zinc to Tin	
17DCFRA37PC309	L	L17DCFRA37PC309	Shells : from Zinc to Tin	
17DCFRA37S	L	L17DCFRA37S	Shells : from Zinc to Tin	
17DCFRA37SC309	L	L17DCFRA37SC309	Shells : from Zinc to Tin	
17DCFRA37P	L	L17DCFRA37P	Shells : from Zinc to Tin	
17DCFRA37PC309	L	L17DCFRA37PC309	Shells : from Zinc to Tin	
17DCFRA37S	L	L17DCFRA37S	Shells : from Zinc to Tin	
17DCFRA37SC309	L	L17DCFRA37SC309	Shells : from Zinc to Tin	
17DCFRA37P	L	L17DCFRA37P	Shells : from Zinc to Tin	
17DCFRA37PC309	L	L17DCFRA37PC309	Shells : from Zinc to Tin	
17DCFRA37S	L	L17DCFRA37S	Shells : from Zinc to Tin	
17DCFRA37SC309	L	L17DCFRA37SC309	Shells : from Zinc to Tin	
17DCFRA37P	L	L17DCFRA37P	Shells : from Zinc to Tin	
17DCFRA37PC309	L	L17DCFRA37PC309	Shells : from Zinc to Tin	
17DCFRA37S	L	L17DCFRA37S	Shells : from Zinc to Tin	
17DCFRA37SC309	L	L17DCFRA37SC309	Shells : from Zinc to Tin	
17DCFRA37P	L	L17DCFRA37P	Shells : from Zinc to Tin	
17DCFRA37PC309	L	L17DCFRA37PC309	Shells : from Zinc to Tin	
17DCFRA37S	L	L17DCFRA37S	Shells : from Zinc to Tin	
17DCFRA37SC309	L	L17DCFRA37SC309	Shells : from Zinc to Tin	
17DCFRA37P	L	L17DCFRA37P	Shells : from Zinc to Tin	

ASF "own" and original PN's not RoHs		Compliant RoHs PN's WITH or WHITHOUT " L " to be ordered with " L "		
		Compliant PN's since the 1st of July 2005 to be ordered with " L "		
		PN's not RoHs, to be ordered WITHOUT the " L " untill new information		
Original Part Numbers		RoHs part numbers (all connectors are with tinned shells)	What has changed to be RoHs	To be changed to be RoHs
17DCFRBA37PC309	L	L17DCFRBA37PC309		
17DCFRBA37S	L	L17DCFRBA37S		
17DCFRBA37SC309	L	L17DCFRBA37SC309		
17DCFRBB37P	L	L17DCFRBB37P		
17DCFRBB37PC309	L	L17DCFRBB37PC309		
17DCFRBB37S	L	L17DCFRBB37S		
17DCFRBB37SC309	L	L17DCFRBB37SC309		
17DCFRCA37P	L	L17DCFRCA37P		
17DCFRCA37PC309	L	L17DCFRCA37PC309		
17DCFRCA37S	L	L17DCFRCA37S		
17DCFRCA37SC309	L	L17DCFRCA37SC309		
17DCFRCB37P	L	L17DCFRCB37P		
17DCFRCB37PC309	L	L17DCFRCB37PC309		
17DCFRCB37S	L	L17DCFRCB37S		
17DCFRCB37SC309	L	L17DCFRCB37SC309		
17DCFRDA37P	L	L17DCFRDA37P		
17DCFRDA37PC309	L	L17DCFRDA37PC309		
17DCFRDA37S	L	L17DCFRDA37S		
17DCFRDA37SC309	L	L17DCFRDA37SC309		
17DCFRDB37P	L	L17DCFRDB37P		
17DCFRDB37PC309	L	L17DCFRDB37PC309		
17DCFRDB37S	L	L17DCFRDB37S		
17DCFRDB37SC309	L	L17DCFRDB37SC309		
17DCH37P	L	L717DCH37P	Shells : from Zinc to Tin	
17DCH37POL2	L	L717DCH37POL2	Shells : from Zinc to Tin	
17DCH37PV	L	L717DCH37PV	Shells : from Zinc to Tin	
17DCH37S	L	L77DCH37S	Shells : from Zinc to Tin	
17DCH37SF179A	L	L77DCH37SF179A	Shells : from Zinc to Tin	
17DCH37SOL2	L	L77DCH37SOL2	Shells : from Zinc to Tin	
17DCH37ST	L	L77DCH37ST	Shells : from Zinc to Tin	
17DCH37SU	L	L77DCH37SU	Shells : from Zinc to Tin	
17DCM13W6P	L	L717DCM13W6P	Shells : from Zinc to Tin	
17DCM13W6POL3	L	L717DCM13W6POL3	Shells : from Zinc to Tin	
17DCM13W6S	L	L77DCM13W6S	Shells : from Zinc to Tin	

| Cts Tails :from tin-lead to tin or gold

ASF "own" and original PN's not RoHs		Compliant RoHs PN's WITH or WHITHOUT " L " to be ordered with " L "		
		Compliant PN's since the 1st of July 2005 to be ordered with " L "		
		PN's not RoHs, to be ordered WITHOUT the " L " untill new information		
Original Part Numbers		RoHs part numbers (all connectors are with tinned shells)	What has changed to be RoHs	To be changed to be RoHs
17DCM13W6SOL3	L	L77DCM13W6SOL3		Cts Tails :from tin-lead to tin or gold
17DCM17W5P	L	L717DCM17W5P	Shells : from Zinc to Tin	
17DCM17W5P1AON	L	L717DCM17W5P1AON		Cts Tails :from tin-lead to tin or gold
17DCM17W5PF179	L	L717DCM17W5PF179	Shells : from Zinc to Tin	
17DCM17W5POL3	L	L717DCM17W5POL3	Shells : from Zinc to Tin	
17DCM17W5PU	L	L717DCM17W5PU	Shells : from Zinc to Tin	
17DCM17W5S	L	L77DCM17W5S		Cts Tails :from tin-lead to tin or gold
17DCM17W5S1AON	L	L77DCM17W5S1AON		Cts Tails :from tin-lead to tin or gold
17DCM17W5SF179A	L	L77DCM17W5SF179A	Shells : from Zinc to Tin	
17DCM17W5SOL3	L	L77DCM17W5SOL3		Cts Tails :from tin-lead to tin or gold
17DCM17W5SU	L	L77DCM17W5SU		Cts Tails :from tin-lead to tin or gold
17DCM21WA4P	L	L717DCM21WA4P	Shells : from Zinc to Tin	
17DCM21WA4P1AON	L	L717DCM21WA4P1AON		Cts Tails :from tin-lead to tin or gold
17DCM21WA4PA	L	L717DCM21WA4PA		Cts Tails :from tin-lead to tin or gold
17DCM21WA4PC	L	L717DCM21WA4PC		Cts Tails :from tin-lead to tin or gold
17DCM21WA4POL3	L	L717DCM21WA4POL3	Shells : from Zinc to Tin	
17DCM21WA4POL3VF	L	L717DCM21WA4POL3VF	Shells : from Zinc to Tin	
17DCM21WA4S	L	L77DCM21WA4S		Cts Tails :from tin-lead to tin or gold
17DCM21WA4S1AON	L	L77DCM21WA4S1AON		Cts Tails :from tin-lead to tin or gold
17DCM21WA4SC	L	L77DCM21WA4SC		Cts Tails :from tin-lead to tin or gold
17DCM21WA4SOL3	L	L77DCM21WA4SOL3		Cts Tails :from tin-lead to tin or gold
17DCM25W3P	L	L717DCM25W3P	Shells : from Zinc to Tin	
17DCM25W3POL3	L	L717DCM25W3POL3	Shells : from Zinc to Tin	
17DCM25W3S	L	L77DCM25W3S		Cts Tails :from tin-lead to tin or gold
17DCM25W3SOL3	L	L77DCM25W3SOL3		Cts Tails :from tin-lead to tin or gold
17DCM27W2P	L	L717DCM27W2P	Shells : from Zinc to Tin	
17DCM27W2P1BPN	L	L717DCM27W2P1BPN		Cts Tails :from tin-lead to tin or gold
17DCM27W2S	L	L77DCM27W2S		Cts Tails :from tin-lead to tin or gold
17DCM8W8P	L	L717DCM8W8P	Shells : from Zinc to Tin	
17DCM8W8PA	L	L717DCM8W8PA		Cts Tails :from tin-lead to tin or gold
17DCM8W8S	L	L77DCM8W8S	Shells : from Zinc to Tin	
17DCMF21WA4P	L	L717DCMF21WA4P	Shells : from Zinc to Tin	
17DCMF21WA4S	L	L77DCMF21WA4S		Cts Tails :from tin-lead to tin or gold

ASF "own" and original PN's not RoHs		Compliant RoHs PN's WITH or WITHOUT " L " to be ordered with " L "		
		Compliant PN's since the 1st of July 2005 to be ordered with " L "		
		PN's not RoHs, to be ordered WITHOUT the " L " until new information		
Original Part Numbers		RoHs part numbers (all connectors are with tinned shells)	What has changed to be RoHs	To be changed to be RoHs
17DCMF25W3S	L	L77DCMF25W3S		Cts Tails :from tin-lead to tin or gold
17DCMF8W8P	L	L717DCMF8W8P	Shells : from Zinc to Tin	
17DCMF8W8S	L	L77DCMF8W8S	Shells : from Zinc to Tin	
17DCMG21WA4POL3	L	L717DCMG21WA4POL3	Shells : from Zinc to Tin	
17DCMG27W2POL3	L	L717DCMG27W2POL3	Shells : from Zinc to Tin	
17DCMH17W5P1AON	L	L717DCMH17W5P1AON		Cts Tails :from tin-lead to tin or gold
17DCMH21WA4P1AON	L	L717DCMH21WA4P1AON		Cts Tails :from tin-lead to tin or gold
17DCMH25W3POL3	L	L717DCMH25W3POL3	Shells : from Zinc to Tin	
17DCMH25W3SA	L	L77DCMH25W3SA		Cts Tails :from tin-lead to tin or gold
17DCMH8W8P	L	L717DCMH8W8P	Shells : from Zinc to Tin	
17DCMH8W8S	L	L77DCMH8W8S	Shells : from Zinc to Tin	
17DD50P	L	L717DD50P	Shells : from Zinc to Tin	
17DD50P1AON	L	L717DD50P1AON		Cts Tails :from tin-lead to tin or gold
17DD50P1ATN	L	L717DD50P1ATN		Cts Tails :from tin-lead to tin or gold
17DD50P1BTN	L	L717DD50P1BTN		Cts Tails :from tin-lead to tin or gold
17DD50PA	L	L717DD50PA		Cts Tails :from tin-lead to tin or gold
17DD50PAJ4	L	L717DD50PAJ4		Cts Tails :from tin-lead to tin or gold
17DD50PC	L	L717DD50PC		Cts Tails :from tin-lead to tin or gold
17DD50PF179	L	L717DD50PF179	Shells : from Zinc to Tin	
17DD50PF179A	L	L717DD50PF179A	Shells : from Zinc to Tin	
17DD50POL2	L	L717DD50POL2	Shells : from Zinc to Tin	
17DD50PT	L	L717DD50PT	Shells : from Zinc to Tin	
17DD50PU	L	L717DD50PU	Shells : from Zinc to Tin	
17DD50PV	L	L717DD50PV	Shells : from Zinc to Tin	
17DD50S	L	L77DD50S	Shells : from Zinc to Tin	
17DD50S1AON	L	L77DD50S1AON		Cts Tails :from tin-lead to tin or gold
17DD50SA	L	L77DD50SA		Cts Tails :from tin-lead to tin or gold
17DD50SAJ4	L	L77DD50SAJ4		Cts Tails :from tin-lead to tin or gold
17DD50SAM4	L	L77DD50SAM4		Cts Tails :from tin-lead to tin or gold
17DD50SAM4B	L	L77DD50SAM4B		Cts Tails :from tin-lead to tin or gold
17DD50SC	L	L77DD50SC		Cts Tails :from tin-lead to tin or gold
17DD50SF179	L	L77DD50SF179	Shells : from Zinc to Tin	
17DD50SF179A	L	L77DD50SF179A	Shells : from Zinc to Tin	

ASF "own" and original PN's not RoHs		Compliant RoHs PN's WITH or WHITHOUT " L " to be ordered with " L "		
		Compliant PN's since the 1st of July 2005 to be ordered with " L "		
		PN's not RoHs, to be ordered WITHOUT the " L " untill new information		
Original Part Numbers		RoHs part numbers (all connectors are with tinned shells)	What has changed to be RoHs	To be changed to be RoHs
17DD50SOL2	L	L77DD50SOL2	Shells : from Zinc to Tin	
17DD50SU	L	L77DD50SU	Shells : from Zinc to Tin	
17DD50SV	L	L77DD50SV	Shells : from Zinc to Tin	
17DDDF50PF179A	L	L717DDDF50PF179A	Shells : from Zinc to Tin	
17DDDF50S	L	L77DDDF50S	Shells : from Zinc to Tin	
17DDDF50SF179A	L	L77DDDF50SF179A	Shells : from Zinc to Tin	
17DDG50PC	L	L717DDG50PC		Cts Tails :from tin-lead to tin or gold
17DDH50P1AMN	L	L717DDH50P1AMN		Cts Tails :from tin-lead to tin or gold
17DDH50PF179	L	L717DDH50PF179	Shells : from Zinc to Tin	
17DDH50POL2	L	L717DDH50POL2	Shells : from Zinc to Tin	
17DDH50PU	L	L717DDH50PU	Shells : from Zinc to Tin	
17DDH50PV	L	L717DDH50PV	Shells : from Zinc to Tin	
17DDH50S1AMN	L	L77DDH50S1AMN		Cts Tails :from tin-lead to tin or gold
17DDH50SAJ4	L	L77DDH50SAJ4		Cts Tails :from tin-lead to tin or gold
17DDH50SOL2	L	L77DDH50SOL2	Shells : from Zinc to Tin	
17DDH50SU	L	L77DDH50SU	Shells : from Zinc to Tin	
17DDM24W7P	L	L717DDM24W7P	Shells : from Zinc to Tin	
17DDM24W7PA	L	L717DDM24W7PA		Cts Tails :from tin-lead to tin or gold
17DDM24W7POL3	L	L717DDM24W7POL3	Shells : from Zinc to Tin	
17DDM24W7S	L	L77DDM24W7S		Cts Tails :from tin-lead to tin or gold
17DDM24W7S1AON	L	L77DDM24W7S1AON		Cts Tails :from tin-lead to tin or gold
17DDM24W7S1APN	L	L77DDM24W7S1APN		Cts Tails :from tin-lead to tin or gold
17DDM24W7SOL3	L	L77DDM24W7SOL3		Cts Tails :from tin-lead to tin or gold
17DDM36W4P	L	L717DDM36W4P	Shells : from Zinc to Tin	
17DDM36W4POL3	L	L717DDM36W4POL3	Shells : from Zinc to Tin	
17DDM36W4S	L	L77DDM36W4S		Cts Tails :from tin-lead to tin or gold
17DDM36W4S1AON	L	L77DDM36W4S1AON		Cts Tails :from tin-lead to tin or gold
17DDM36W4SA	L	L77DDM36W4SA		Cts Tails :from tin-lead to tin or gold
17DDM36W4SF179A	L	L77DDM36W4SF179A	Shells : from Zinc to Tin	
17DDM36W4SOL3	L	L77DDM36W4SOL3		Cts Tails :from tin-lead to tin or gold
17DDM43W2P	L	L717DDM43W2P	Shells : from Zinc to Tin	
17DDM43W2P1AMN	L	L717DDM43W2P1AMN		Cts Tails :from tin-lead to tin or gold
17DDM43W2P1AON	L	L717DDM43W2P1AON		Cts Tails :from tin-lead to tin or gold

ASF "own" and original PN's not RoHs		Compliant RoHs PN's WITH or WHITHOUT " L " to be ordered with " L "		
		Compliant PN's since the 1st of July 2005 to be ordered with " L "		
		PN's not RoHs, to be ordered WITHOUT the " L " untill new information		
Original Part Numbers		RoHs part numbers (all connectors are with tinned shells)	What has changed to be RoHs	To be changed to be RoHs
17DDM43W2PC	L	L717DDM43W2PC		Cts Tails :from tin-lead to tin or gold
17DDM43W2S	L	L77DDM43W2S		Cts Tails :from tin-lead to tin or gold
17DDM43W2S1AMN	L	L77DDM43W2S1AMN		Cts Tails :from tin-lead to tin or gold
17DDM43W2SOL3	L	L77DDM43W2SOL3		Cts Tails :from tin-lead to tin or gold
17DDMF24W7P	L	L717DDMF24W7P	Shells : from Zinc to Tin	
17DDMF24W7S	L	L77DDMF24W7S		Cts Tails :from tin-lead to tin or gold
17DDMF36W4P	L	L717DDMF36W4P	Shells : from Zinc to Tin	
17DDMF36W4S	L	L77DDMF36W4S		Cts Tails :from tin-lead to tin or gold
17DDMF36W4SOL3	L	L77DDMF36W4SOL3		Cts Tails :from tin-lead to tin or gold
17DDMF43W2P	L	L717DDMF43W2P	Shells : from Zinc to Tin	
17DDMG24W7S	L	L77DDMG24W7S		Cts Tails :from tin-lead to tin or gold
17DDMH24W7P1AON	L	L717DDMH24W7P1AON		Cts Tails :from tin-lead to tin or gold
17DDMH36W4P	L	L717DDMH36W4P	Shells : from Zinc to Tin	
17DE09P	L	L717DE09P	Shells : from Zinc to Tin	
17DE09P1AMN	L	L717DE09P1AMN		Cts Tails :from tin-lead to tin or gold
17DE09P1AON	L	L717DE09P1AON		Cts Tails :from tin-lead to tin or gold
17DE09P1APN	L	L717DE09P1APN		Cts Tails :from tin-lead to tin or gold
17DE09P1ATN	L	L717DE09P1ATN		Cts Tails :from tin-lead to tin or gold
17DE09P1AUN	L	L717DE09P1AUN		Cts Tails :from tin-lead to tin or gold
17DE09P1BON	L	L717DE09P1BON		Cts Tails :from tin-lead to tin or gold
17DE09P1BTN	L	L717DE09P1BTN		Cts Tails :from tin-lead to tin or gold
17DE09PA	L	L717DE09PA		Cts Tails :from tin-lead to tin or gold
17DE09PAJ3	L	L717DE09PAJ3		Cts Tails :from tin-lead to tin or gold
17DE09PAJ4	L	L717DE09PAJ4		Cts Tails :from tin-lead to tin or gold
17DE09PAM4	L	L717DE09PAM4		Cts Tails :from tin-lead to tin or gold
17DE09PAM4B	L	L717DE09PAM4B		Cts Tails :from tin-lead to tin or gold
17DE09PC	L	L717DE09PC		Cts Tails :from tin-lead to tin or gold
17DE09PF179	L	L717DE09PF179	Shells : from Zinc to Tin	
17DE09PF179A	L	L717DE09PF179A	Shells : from Zinc to Tin	
17DE09POL2	L	L717DE09POL2	Shells : from Zinc to Tin	
17DE09PT	L	L717DE09PT	Shells : from Zinc to Tin	
17DE09PU	L	L717DE09PU	Shells : from Zinc to Tin	
17DE09PV	L	L717DE09PV	Shells : from Zinc to Tin	

ASF "own" and original PN's not RoHs		Compliant RoHs PN's WITH or WHITHOUT " L " to be ordered with " L "		
		Compliant PN's since the 1st of July 2005 to be ordered with " L "		
		PN's not RoHs, to be ordered WITHOUT the " L " untill new information		
Original Part Numbers		RoHs part numbers (all connectors are with tinned shells)	What has changed to be RoHs	To be changed to be RoHs
17DE09S	L	L77DE09S	Shells : from Zinc to Tin	
17DE09S1AMN	L	L77DE09S1AMN		Cts Tails :from tin-lead to tin or gold
17DE09S1AON	L	L77DE09S1AON		Cts Tails :from tin-lead to tin or gold
17DE09S1APN	L	L77DE09S1APN		Cts Tails :from tin-lead to tin or gold
17DE09S1ATN	L	L77DE09S1ATN		Cts Tails :from tin-lead to tin or gold
17DE09S1AUN	L	L77DE09S1AUN		Cts Tails :from tin-lead to tin or gold
17DE09S1BMNRM6	L	L77DE09S1BMNRM6		Cts Tails :from tin-lead to tin or gold
17DE09S1BON	L	L77DE09S1BON		Cts Tails :from tin-lead to tin or gold
17DE09S1BTN	L	L77DE09S1BTN		Cts Tails :from tin-lead to tin or gold
17DE09SA	L	L77DE09SA		Cts Tails :from tin-lead to tin or gold
17DE09SAJ4	L	L77DE09SAJ4		Cts Tails :from tin-lead to tin or gold
17DE09SAJ4VF2	L	L77DE09SAJ4VF2		Cts Tails :from tin-lead to tin or gold
17DE09SAM4	L	L77DE09SAM4		Cts Tails :from tin-lead to tin or gold
17DE09SAM4B	L	L77DE09SAM4B		Cts Tails :from tin-lead to tin or gold
17DE09SAZ4	L	L77DE09SAZ4		Cts Tails :from tin-lead to tin or gold
17DE09SC	L	L77DE09SC		Cts Tails :from tin-lead to tin or gold
17DE09SF179	L	L77DE09SF179	Shells : from Zinc to Tin	
17DE09SF179A	L	L77DE09SF179A	Shells : from Zinc to Tin	
17DE09SOL2	L	L77DE09SOL2	Shells : from Zinc to Tin	
17DE09SOL2VF	L	L77DE09SOL2VF	Shells : from Zinc to Tin	
17DE09ST	L	L77DE09ST	Shells : from Zinc to Tin	
17DE09STVF	L	L77DE09STVF	Shells : from Zinc to Tin	
17DE09SU	L	L77DE09SU	Shells : from Zinc to Tin	
17DE09SV	L	L77DE09SV	Shells : from Zinc to Tin	
17DE09SVF	L	L77DE09SVF	Shells : from Zinc to Tin	
17DEF09S	L	L77DEF09S	Shells : from Zinc to Tin	
17DEFRA09P	L	L17DEFRA09P		
17DEFRA09PC309	L	L17DEFRA09PC309		
17DEFRA09S	L	L17DEFRA09S		
17DEFRA09SC309	L	L17DEFRA09SC309		
17DEFRAA09P	L	L17DEFRAA09P		
17DEFRAA09PC309	L	L17DEFRAA09PC309		
17DEFRAA09S	L	L17DEFRAA09S		

ASF "own" and original PN's not RoHs		Compliant RoHs PN's WITH or WHITHOUT " L " to be ordered with " L "		
		Compliant PN's since the 1st of July 2005 to be ordered with " L "		
		PN's not RoHs, to be ordered WITHOUT the " L " untill new information		
Original Part Numbers		RoHs part numbers (all connectors are with tinned shells)	What has changed to be RoHs	To be changed to be RoHs
17DEFRAA09SC309	L	L17DEFRAA09SC309		
17DEFRAB09P	L	L17DEFRAB09P		
17DEFRAB09PC309	L	L17DEFRAB09PC309		
17DEFRAB09S	L	L17DEFRAB09S		
17DEFRAB09SC309	L	L17DEFRAB09SC309		
17DEFRB09P	L	L17DEFRB09P		
17DEFRB09PC309	L	L17DEFRB09PC309		
17DEFRB09S	L	L17DEFRB09S		
17DEFRB09SC309	L	L17DEFRB09SC309		
17DEFRBA09P	L	L17DEFRBA09P		
17DEFRBA09PC309	L	L17DEFRBA09PC309		
17DEFRBA09S	L	L17DEFRBA09S		
17DEFRBA09SC309	L	L17DEFRBA09SC309		
17DEFRBB09P	L	L17DEFRBB09P		
17DEFRBB09PC309	L	L17DEFRBB09PC309		
17DEFRBB09S	L	L17DEFRBB09S		
17DEFRBB09SC309	L	L17DEFRBB09SC309		
17DEFRCA09P	L	L17DEFRCA09P		
17DEFRCA09PC309	L	L17DEFRCA09PC309		
17DEFRCA09S	L	L17DEFRCA09S		
17DEFRCA09SC309	L	L17DEFRCA09SC309		
17DEFRCB09P	L	L17DEFRCB09P		
17DEFRCB09PC309	L	L17DEFRCB09PC309		
17DEFRCB09S	L	L17DEFRCB09S		
17DEFRCB09SC309	L	L17DEFRCB09SC309		
17DEFRDA09P	L	L17DEFRDA09P		
17DEFRDA09PC309	L	L17DEFRDA09PC309		
17DEFRDA09S	L	L17DEFRDA09S		
17DEFRDA09SC309	L	L17DEFRDA09SC309		
17DEFRDB09P	L	L17DEFRDB09P		
17DEFRDB09PC309	L	L17DEFRDB09PC309		
17DEFRDB09S	L	L17DEFRDB09S		
17DEFRDB09SC309	L	L17DEFRDB09SC309		

ASF "own" and original PN's not RoHs		Compliant RoHs PN's WITH or WHITHOUT " L " to be ordered with " L "		
		Compliant PN's since the 1st of July 2005 to be ordered with " L "		
		PN's not RoHs, to be ordered WITHOUT the " L " untill new information		
Original Part Numbers		RoHs part numbers (all connectors are with tinned shells)	What has changed to be RoHs	To be changed to be RoHs
17DEG09P	L	L717DEG09P	Shells : from Zinc to Tin	
17DEG09PAJ3	L	L717DEG09PAJ3		Cts Tails :from tin-lead to tin or gold
17DEG09PAJ4	L	L717DEG09PAJ4		Cts Tails :from tin-lead to tin or gold
17DEG09PU	L	L717DEG09PU	Shells : from Zinc to Tin	
17DEG09S	L	L77DEG09S	Shells : from Zinc to Tin	
17DEG09SAJ4	L	L77DEG09SAJ4		Cts Tails :from tin-lead to tin or gold
17DEG09SF179A	L	L77DEG09SF179A	Shells : from Zinc to Tin	
17DEG09SOL2RM5	L	L77DEG09SOL2RM5	Shells : from Zinc to Tin	
17DEG09SVFM2	L	L77DEG09SVFM2	Shells : from Zinc to Tin	
17DEH09P	L	L717DEH09P	Shells : from Zinc to Tin	
17DEH09P1AMN	L	L717DEH09P1AMN		Cts Tails :from tin-lead to tin or gold
17DEH09P1AON	L	L717DEH09P1AON		Cts Tails :from tin-lead to tin or gold
17DEH09PAJ4	L	L717DEH09PAJ4		Cts Tails :from tin-lead to tin or gold
17DEH09PC	L	L717DEH09PC		Cts Tails :from tin-lead to tin or gold
17DEH09PF179	L	L717DEH09PF179	Shells : from Zinc to Tin	
17DEH09PF179A	L	L717DEH09PF179A	Shells : from Zinc to Tin	
17DEH09POL2	L	L717DEH09POL2	Shells : from Zinc to Tin	
17DEH09PU	L	L717DEH09PU	Shells : from Zinc to Tin	
17DEH09PV	L	L717DEH09PV	Shells : from Zinc to Tin	
17DEH09S	L	L77DEH09S	Shells : from Zinc to Tin	
17DEH09SA	L	L77DEH09SA		Cts Tails :from tin-lead to tin or gold
17DEH09SC	L	L77DEH09SC		Cts Tails :from tin-lead to tin or gold
17DEH09SF179	L	L77DEH09SF179	Shells : from Zinc to Tin	
17DEH09SOL2	L	L77DEH09SOL2	Shells : from Zinc to Tin	
17DEH09ST	L	L77DEH09ST	Shells : from Zinc to Tin	
17DEH09SU	L	L77DEH09SU	Shells : from Zinc to Tin	
17DEM5W1P	L	L717DEM5W1P	Shells : from Zinc to Tin	
17DEM5W1P1ATN	L	L717DEM5W1P1ATN		Cts Tails :from tin-lead to tin or gold
17DEM5W1PC	L	L717DEM5W1PC		Cts Tails :from tin-lead to tin or gold
17DEM5W1POL3	L	L717DEM5W1POL3	Shells : from Zinc to Tin	
17DEM5W1POL3VF	L	L717DEM5W1POL3VF	Shells : from Zinc to Tin	
17DEM5W1S	L	L77DEM5W1S		Cts Tails :from tin-lead to tin or gold
17DEM5W1S1APN	L	L77DEM5W1S1APN		Cts Tails :from tin-lead to tin or gold

ASF "own" and original PN's not RoHs		Compliant RoHs PN's WITH or WHITHOUT " L " to be ordered with " L "		
		Compliant PN's since the 1st of July 2005 to be ordered with " L "		
		PN's not RoHs, to be ordered WITHOUT the " L " untill new information		
Original Part Numbers		RoHs part numbers (all connectors are with tinned shells)	What has changed to be RoHs	To be changed to be RoHs
17DEM5W1S1AUN	L	L77DEM5W1S1AUN		Cts Tails :from tin-lead to tin or gold
17DEM5W1SC	L	L77DEM5W1SC		Cts Tails :from tin-lead to tin or gold
17DEMF5W1S	L	L77DEMF5W1S		Cts Tails :from tin-lead to tin or gold
17DFA15P	L	L717DFA15P		
17DFA15P	L	L717DFA15P		
17DFA15P1AMN	L	L717DFA15P1AMN		Cts Tails :from tin-lead to tin or gold
17DFA15P1AON	L	L717DFA15P1AON		Cts Tails :from tin-lead to tin or gold
17DFA15P1APN	L	L717DFA15P1APN		Cts Tails :from tin-lead to tin or gold
17DFA15P1ATN	L	L717DFA15P1ATN		Cts Tails :from tin-lead to tin or gold
17DFA15P1AUN	L	L717DFA15P1AUN		Cts Tails :from tin-lead to tin or gold
17DFA15P1BMN	L	L717DFA15P1BMN		Cts Tails :from tin-lead to tin or gold
17DFA15P1BON	L	L717DFA15P1BON		Cts Tails :from tin-lead to tin or gold
17DFA15P1BPN	L	L717DFA15P1BPN		Cts Tails :from tin-lead to tin or gold
17DFA15P1BUN	L	L717DFA15P1BUN		Cts Tails :from tin-lead to tin or gold
17DFA15PAM4B	L	L717DFA15PAM4B		Cts Tails :from tin-lead to tin or gold
17DFA15PF179	L	L717DFA15PF179		
17DFA15PF179A	L	L717DFA15PF179A		
17DFA15PMP10	L	L717DFA15PMP10		
17DFA15POL2	L	L717DFA15POL2		
17DFA15PU	L	L717DFA15PU		
17DFA15S	L	L77DFA15S		
17DFA15S1AMN	L	L77DFA15S1AMN		Cts Tails :from tin-lead to tin or gold
17DFA15S1AON	L	L77DFA15S1AON		Cts Tails :from tin-lead to tin or gold
17DFA15S1APN	L	L77DFA15S1APN		Cts Tails :from tin-lead to tin or gold
17DFA15S1ATN	L	L77DFA15S1ATN		Cts Tails :from tin-lead to tin or gold
17DFA15S1AUN	L	L77DFA15S1AUN		Cts Tails :from tin-lead to tin or gold
17DFA15S1BMN	L	L77DFA15S1BMN		Cts Tails :from tin-lead to tin or gold
17DFA15S1BON	L	L77DFA15S1BON		Cts Tails :from tin-lead to tin or gold
17DFA15S1BPN	L	L77DFA15S1BPN		Cts Tails :from tin-lead to tin or gold
17DFA15S1BUN	L	L77DFA15S1BUN		Cts Tails :from tin-lead to tin or gold
17DFA15SAM4B	L	L77DFA15SAM4B		Cts Tails :from tin-lead to tin or gold
17DFA15SF179A	L	L77DFA15SF179A		
17DFA15SMP10	L	L77DFA15SMP10		

Shells : from Zinc to Tin
Shells : from Zinc to Tin

Shells : from Zinc to Tin
Shells : from Zinc to Tin
Shells : from Zinc to Tin
Shells : from Zinc to Tin
Shells : from Zinc to Tin

Shells : from Zinc to Tin
Shells : from Zinc to Tin

ASF "own" and original PN's not RoHs		Compliant RoHs PN's WITH or WHITHOUT " L " to be ordered with " L "		
		Compliant PN's since the 1st of July 2005 to be ordered with " L "		
		PN's not RoHs, to be ordered WITHOUT the " L " untill new information		
Original Part Numbers		RoHs part numbers (all connectors are with tinned shells)	What has changed to be RoHs	To be changed to be RoHs
17DFA15SMP10VF	L	L77DFA15SMP10VF	Shells : from Zinc to Tin	
17DFA15SOL2	L	L77DFA15SOL2	Shells : from Zinc to Tin	
17DFA15SU	L	L77DFA15SU	Shells : from Zinc to Tin	
17DFA15SVF	L	L77DFA15SVF	Shells : from Zinc to Tin	
17DFAF15P	L	L717DFAF15P	Shells : from Zinc to Tin	
17DFAF15S	L	L77DFAF15S	Shells : from Zinc to Tin	
17DFAF15SU	L	L77DFAF15SU	Shells : from Zinc to Tin	
17DFAG15POL2	L	L717DFAG15POL2	Shells : from Zinc to Tin	
17DFAG15S	L	L77DFAG15S	Shells : from Zinc to Tin	
17DFAG15S1APN	L	L77DFAG15S1APN		Cts Tails :from tin-lead to tin or gold
17DFAG15SF179A	L	L77DFAG15SF179A	Shells : from Zinc to Tin	
17DFAH15P1APN	L	L717DFAH15P1APN		Cts Tails :from tin-lead to tin or gold
17DFAH15SOL2	L	L77DFAH15SOL2	Shells : from Zinc to Tin	
17DFAH15SV	L	L77DFAH15SV	Shells : from Zinc to Tin	
17DFB25P	L	L717DFB25P	Shells : from Zinc to Tin	
17DFB25P1AMN	L	L717DFB25P1AMN		Cts Tails :from tin-lead to tin or gold
17DFB25P1AON	L	L717DFB25P1AON		Cts Tails :from tin-lead to tin or gold
17DFB25P1APN	L	L717DFB25P1APN		Cts Tails :from tin-lead to tin or gold
17DFB25P1ATN	L	L717DFB25P1ATN		Cts Tails :from tin-lead to tin or gold
17DFB25P1AUN	L	L717DFB25P1AUN		Cts Tails :from tin-lead to tin or gold
17DFB25P1BMN	L	L717DFB25P1BMN		Cts Tails :from tin-lead to tin or gold
17DFB25P1BON	L	L717DFB25P1BON		Cts Tails :from tin-lead to tin or gold
17DFB25P1BPN	L	L717DFB25P1BPN		Cts Tails :from tin-lead to tin or gold
17DFB25P1BUN	L	L717DFB25P1BUN		Cts Tails :from tin-lead to tin or gold
17DFB25PAJ4	L	L717DFB25PAJ4		Cts Tails :from tin-lead to tin or gold
17DFB25PAM4B	L	L717DFB25PAM4B		Cts Tails :from tin-lead to tin or gold
17DFB25PF179	L	L717DFB25PF179	Shells : from Zinc to Tin	
17DFB25PF179A	L	L717DFB25PF179A	Shells : from Zinc to Tin	
17DFB25PMP10	L	L717DFB25PMP10	Shells : from Zinc to Tin	
17DFB25PMP40	L	L717DFB25PMP40	Shells : from Zinc to Tin	
17DFB25POL2	L	L717DFB25POL2	Shells : from Zinc to Tin	
17DFB25PT	L	L717DFB25PT	Shells : from Zinc to Tin	
17DFB25PU	L	L717DFB25PU	Shells : from Zinc to Tin	

ASF "own" and original PN's not RoHs		Compliant RoHs PN's WITH or WHITHOUT " L " to be ordered with " L "		
		Compliant PN's since the 1st of July 2005 to be ordered with " L "		
		PN's not RoHs, to be ordered WITHOUT the " L " untill new information		
Original Part Numbers		RoHs part numbers (all connectors are with tinned shells)	What has changed to be RoHs	To be changed to be RoHs
17DFB25PVF	L	L717DFB25PVF	Shells : from Zinc to Tin	Cts Tails :from tin-lead to tin or gold
17DFB25S	L	L77DFB25S	Shells : from Zinc to Tin	
17DFB25S1AMN	L	L77DFB25S1AMN		
17DFB25S1AON	L	L77DFB25S1AON		
17DFB25S1APN	L	L77DFB25S1APN		
17DFB25S1ATN	L	L77DFB25S1ATN		
17DFB25S1AUN	L	L77DFB25S1AUN		
17DFB25S1BMN	L	L77DFB25S1BMN		
17DFB25S1BON	L	L77DFB25S1BON		
17DFB25S1BPN	L	L77DFB25S1BPN		
17DFB25S1BUN	L	L77DFB25S1BUN		
17DFB25SAJ4	L	L77DFB25SAJ4		
17DFB25SAM4B	L	L77DFB25SAM4B		
17DFB25SF179	L	L77DFB25SF179	Shells : from Zinc to Tin	
17DFB25SF179A	L	L77DFB25SF179A	Shells : from Zinc to Tin	
17DFB25SMP10	L	L77DFB25SMP10	Shells : from Zinc to Tin	
17DFB25SOL2	L	L77DFB25SOL2	Shells : from Zinc to Tin	
17DFB25SOL2VF	L	L77DFB25SOL2VF	Shells : from Zinc to Tin	
17DFB25ST	L	L77DFB25ST	Shells : from Zinc to Tin	
17DFB25SU	L	L77DFB25SU	Shells : from Zinc to Tin	
17DFBF25P	L	L717DFBF25P	Shells : from Zinc to Tin	
17DFBF25POL2	L	L717DFBF25POL2	Shells : from Zinc to Tin	
17DFBF25S	L	L77DFBF25S	Shells : from Zinc to Tin	
17DFBF25SOL2	L	L77DFBF25SOL2	Shells : from Zinc to Tin	
17DFBF25SU	L	L77DFBF25SU	Shells : from Zinc to Tin	
17DFBG25P1AMN	L	L717DFBG25P1AMN		Cts Tails :from tin-lead to tin or gold
17DFBG25P1BON	L	L717DFBG25P1BON		Cts Tails :from tin-lead to tin or gold
17DFBG25PA	L	L717DFBG25PA		Cts Tails :from tin-lead to tin or gold
17DFBG25POL2	L	L717DFBG25POL2	Shells : from Zinc to Tin	
17DFBG25S	L	L77DFBG25S	Shells : from Zinc to Tin	
17DFBG25SF179A	L	L77DFBG25SF179A	Shells : from Zinc to Tin	
17DFBG25SOL2	L	L77DFBG25SOL2	Shells : from Zinc to Tin	
17DFBH25P1AMN	L	L717DFBH25P1AMN		Cts Tails :from tin-lead to tin or gold

ASF "own" and original PN's not RoHs		Compliant RoHs PN's WITH or WHITHOUT " L " to be ordered with " L "		
		Compliant PN's since the 1st of July 2005 to be ordered with " L "		
		PN's not RoHs, to be ordered WITHOUT the " L " untill new information		
Original Part Numbers		RoHs part numbers (all connectors are with tinned shells)	What has changed to be RoHs	To be changed to be RoHs
17DFBH25P1APN	L	L717DFBH25P1APN		Cts Tails :from tin-lead to tin or gold
17DFBH25PARM6	L	L717DFBH25PARM6		Cts Tails :from tin-lead to tin or gold
17DFBH25POL2	L	L717DFBH25POL2		
17DFBH25S1AMN	L	L77DFBH25S1AMN	Shells : from Zinc to Tin	Cts Tails :from tin-lead to tin or gold
17DFBH25SOL2	L	L77DFBH25SOL2	Shells : from Zinc to Tin	
17DFC37P	L	L717DFC37P	Shells : from Zinc to Tin	
17DFC37P1AMN	L	L717DFC37P1AMN		Cts Tails :from tin-lead to tin or gold
17DFC37P1AON	L	L717DFC37P1AON		Cts Tails :from tin-lead to tin or gold
17DFC37P1APN	L	L717DFC37P1APN		Cts Tails :from tin-lead to tin or gold
17DFC37P1ATN	L	L717DFC37P1ATN		Cts Tails :from tin-lead to tin or gold
17DFC37P1AUN	L	L717DFC37P1AUN		Cts Tails :from tin-lead to tin or gold
17DFC37P1BMN	L	L717DFC37P1BMN		Cts Tails :from tin-lead to tin or gold
17DFC37P1BON	L	L717DFC37P1BON		Cts Tails :from tin-lead to tin or gold
17DFC37P1BPN	L	L717DFC37P1BPN		Cts Tails :from tin-lead to tin or gold
17DFC37PF179A	L	L717DFC37PF179A	Shells : from Zinc to Tin	
17DFC37PMP10	L	L717DFC37PMP10	Shells : from Zinc to Tin	
17DFC37POL2	L	L717DFC37POL2	Shells : from Zinc to Tin	
17DFC37PU	L	L717DFC37PU	Shells : from Zinc to Tin	
17DFC37S	L	L77DFC37S	Shells : from Zinc to Tin	
17DFC37S1AMN	L	L77DFC37S1AMN		Cts Tails :from tin-lead to tin or gold
17DFC37S1AON	L	L77DFC37S1AON		Cts Tails :from tin-lead to tin or gold
17DFC37S1APN	L	L77DFC37S1APN		Cts Tails :from tin-lead to tin or gold
17DFC37S1ATN	L	L77DFC37S1ATN		Cts Tails :from tin-lead to tin or gold
17DFC37S1AUN	L	L77DFC37S1AUN		Cts Tails :from tin-lead to tin or gold
17DFC37S1BMN	L	L77DFC37S1BMN		Cts Tails :from tin-lead to tin or gold
17DFC37S1BON	L	L77DFC37S1BON		Cts Tails :from tin-lead to tin or gold
17DFC37SF179	L	L77DFC37SF179	Shells : from Zinc to Tin	
17DFC37SF179A	L	L77DFC37SF179A	Shells : from Zinc to Tin	
17DFC37SMP10	L	L77DFC37SMP10	Shells : from Zinc to Tin	
17DFC37SOL2	L	L77DFC37SOL2	Shells : from Zinc to Tin	
17DFC37SU	L	L77DFC37SU	Shells : from Zinc to Tin	
17DFCF37P	L	L717DFCF37P	Shells : from Zinc to Tin	
17DFCF37PMP10	L	L717DFCF37PMP10	Shells : from Zinc to Tin	

ASF "own" and original PN's not RoHs		Compliant RoHs PN's WITH or WHITHOUT " L " to be ordered with " L "		
		Compliant PN's since the 1st of July 2005 to be ordered with " L "		
		PN's not RoHs, to be ordered WITHOUT the " L " untill new information		
Original Part Numbers		RoHs part numbers (all connectors are with tinned shells)	What has changed to be RoHs	To be changed to be RoHs
17DFCF37S	L	L77DFCF37S	Shells : from Zinc to Tin	
17DFCF37SOL2	L	L77DFCF37SOL2	Shells : from Zinc to Tin	
17DFCF37SU	L	L77DFCF37SU	Shells : from Zinc to Tin	
17DFCG37P1AMN	L	L717DFCG37P1AMN		Cts Tails :from tin-lead to tin or gold
17DFCG37POL2	L	L717DFCG37POL2	Shells : from Zinc to Tin	
17DFCG37S1AON	L	L77DFCG37S1AON		Cts Tails :from tin-lead to tin or gold
17DFCG37SF179A	L	L77DFCG37SF179A	Shells : from Zinc to Tin	
17DFCG37SOL2	L	L77DFCG37SOL2	Shells : from Zinc to Tin	
17DFCH37PTRM5	L	L717DFCH37PTRM5	Shells : from Zinc to Tin	
17DFD50P	L	L717DFD50P	Shells : from Zinc to Tin	
17DFD50P1AMN	L	L717DFD50P1AMN		Cts Tails :from tin-lead to tin or gold
17DFD50P1AON	L	L717DFD50P1AON		Cts Tails :from tin-lead to tin or gold
17DFD50P1APN	L	L717DFD50P1APN		Cts Tails :from tin-lead to tin or gold
17DFD50P1ATN	L	L717DFD50P1ATN		Cts Tails :from tin-lead to tin or gold
17DFD50P1BON	L	L717DFD50P1BON		Cts Tails :from tin-lead to tin or gold
17DFD50P1BPN	L	L717DFD50P1BPN		Cts Tails :from tin-lead to tin or gold
17DFD50PA	L	L717DFD50PA		Cts Tails :from tin-lead to tin or gold
17DFD50PAM4B	L	L717DFD50PAM4B		Cts Tails :from tin-lead to tin or gold
17DFD50PF179	L	L717DFD50PF179	Shells : from Zinc to Tin	
17DFD50PF179A	L	L717DFD50PF179A	Shells : from Zinc to Tin	
17DFD50POL2	L	L717DFD50POL2	Shells : from Zinc to Tin	
17DFD50PU	L	L717DFD50PU	Shells : from Zinc to Tin	
17DFD50S	L	L77DFD50S	Shells : from Zinc to Tin	
17DFD50S1AMN	L	L77DFD50S1AMN		Cts Tails :from tin-lead to tin or gold
17DFD50S1AON	L	L77DFD50S1AON		Cts Tails :from tin-lead to tin or gold
17DFD50S1APN	L	L77DFD50S1APN		Cts Tails :from tin-lead to tin or gold
17DFD50S1ATN	L	L77DFD50S1ATN		Cts Tails :from tin-lead to tin or gold
17DFD50S1AUN	L	L77DFD50S1AUN		Cts Tails :from tin-lead to tin or gold
17DFD50S1BON	L	L77DFD50S1BON		Cts Tails :from tin-lead to tin or gold
17DFD50SAM4	L	L77DFD50SAM4		Cts Tails :from tin-lead to tin or gold
17DFD50SF179	L	L77DFD50SF179	Shells : from Zinc to Tin	
17DFD50SF179A	L	L77DFD50SF179A	Shells : from Zinc to Tin	
17DFD50SOL2	L	L77DFD50SOL2	Shells : from Zinc to Tin	

ASF "own" and original PN's not RoHs		Compliant RoHs PN's WITH or WHITHOUT " L " to be ordered with " L "		
		Compliant PN's since the 1st of July 2005 to be ordered with " L "		
		PN's not RoHs, to be ordered WITHOUT the " L " untill new information		
Original Part Numbers		RoHs part numbers (all connectors are with tinned shells)	What has changed to be RoHs	To be changed to be RoHs
17DFD50SU	L	L77DFD50SU	Shells : from Zinc to Tin	
17DFDF50P	L	L717DFDF50P	Shells : from Zinc to Tin	
17DFDF50S	L	L77DFDF50S	Shells : from Zinc to Tin	
17DFDF50SOL2	L	L77DFDF50SOL2	Shells : from Zinc to Tin	
17DFDF50SU	L	L77DFDF50SU	Shells : from Zinc to Tin	
17DFDH50PTRM5	L	L717DFDH50PTRM5	Shells : from Zinc to Tin	
17DFE09P	L	L717DFE09P	Shells : from Zinc to Tin	
17DFE09P1ACH	L	L717DFE09P1ACH		Cts Tails :from tin-lead to tin or gold
17DFE09P1AMN	L	L717DFE09P1AMN		Cts Tails :from tin-lead to tin or gold
17DFE09P1AON	L	L717DFE09P1AON		Cts Tails :from tin-lead to tin or gold
17DFE09P1APN	L	L717DFE09P1APN		Cts Tails :from tin-lead to tin or gold
17DFE09P1ATN	L	L717DFE09P1ATN		Cts Tails :from tin-lead to tin or gold
17DFE09P1AUN	L	L717DFE09P1AUN		Cts Tails :from tin-lead to tin or gold
17DFE09P1BMN	L	L717DFE09P1BMN		Cts Tails :from tin-lead to tin or gold
17DFE09P1BON	L	L717DFE09P1BON		Cts Tails :from tin-lead to tin or gold
17DFE09P1BPN	L	L717DFE09P1BPN		Cts Tails :from tin-lead to tin or gold
17DFE09PF179	L	L717DFE09PF179	Shells : from Zinc to Tin	
17DFE09PF179A	L	L717DFE09PF179A	Shells : from Zinc to Tin	
17DFE09PMP10	L	L717DFE09PMP10	Shells : from Zinc to Tin	
17DFE09POL2	L	L717DFE09POL2	Shells : from Zinc to Tin	
17DFE09PT	L	L717DFE09PT	Shells : from Zinc to Tin	
17DFE09PU	L	L717DFE09PU	Shells : from Zinc to Tin	
17DFE09PURM8	L	L717DFE09PURM8	Shells : from Zinc to Tin	
17DFE09S	L	L77DFE09S	Shells : from Zinc to Tin	
17DFE09S1ACH	L	L77DFE09S1ACH		Cts Tails :from tin-lead to tin or gold
17DFE09S1AMN	L	L77DFE09S1AMN		Cts Tails :from tin-lead to tin or gold
17DFE09S1AMNRM6	L	L77DFE09S1AMNRM6		Cts Tails :from tin-lead to tin or gold
17DFE09S1AON	L	L77DFE09S1AON		Cts Tails :from tin-lead to tin or gold
17DFE09S1APN	L	L77DFE09S1APN		Cts Tails :from tin-lead to tin or gold
17DFE09S1ATN	L	L77DFE09S1ATN		Cts Tails :from tin-lead to tin or gold
17DFE09S1AUN	L	L77DFE09S1AUN		Cts Tails :from tin-lead to tin or gold
17DFE09S1BMN	L	L77DFE09S1BMN		Cts Tails :from tin-lead to tin or gold
17DFE09S1BON	L	L77DFE09S1BON		Cts Tails :from tin-lead to tin or gold

ASF "own" and original PN's not RoHs		Compliant RoHs PN's WITH or WHITHOUT " L " to be ordered with " L "		
		Compliant PN's since the 1st of July 2005 to be ordered with " L "		
		PN's not RoHs, to be ordered WITHOUT the " L " untill new information		
Original Part Numbers		RoHs part numbers (all connectors are with tinned shells)	What has changed to be RoHs	To be changed to be RoHs
17DFE09S1BPN	L	L77DFE09S1BPN		Cts Tails :from tin-lead to tin or gold
17DFE09SA	L	L77DFE09SA		Cts Tails :from tin-lead to tin or gold
17DFE09SAJ3	L	L77DFE09SAJ3		Cts Tails :from tin-lead to tin or gold
17DFE09SAJ4	L	L77DFE09SAJ4		Cts Tails :from tin-lead to tin or gold
17DFE09SF179	L	L77DFE09SF179		
17DFE09SF179A	L	L77DFE09SF179A		
17DFE09SMP10	L	L77DFE09SMP10		
17DFE09SOL2	L	L77DFE09SOL2		
17DFEF09P	L	L717DFEF09P		
17DFEF09S	L	L77DFEF09S		
17DFEF09SOL2	L	L77DFEF09SOL2		
17DFEG09P1AMN	L	L717DFEG09P1AMN		Cts Tails :from tin-lead to tin or gold
17DFEG09PF179	L	L717DFEG09PF179		
17DFEG09SF179A	L	L77DFEG09SF179A		
17DFEG09SOL2	L	L77DFEG09SOL2		
17DFEG09SU	L	L77DFEG09SU		
17DM51155	L	L17DM51155		
17DM511555000	L	L17DM511555000		
17DM51157	L	L17DM51157		
17DM511575000	L	L17DM511575000		
17DM53740	L	L17DM53740		
17DM537401	L	L17DM537401		
17DM537401R20=4W00210C	L	L17DM537401R20=4W00210C		
17DM537403	L	L17DM537403		
17DM537403(CORPSBRASE)	L	L17DM537403(CORPSBRASE)		
17DM537405	L	L17DM537405		
17DM537405000	L	L17DM537405000		
17DM537405001	L	L17DM537405001		
17DM537405002	L	L17DM537405002		
17DM537405005	L	L17DM537405005		
17DM537405008	L	L17DM537405008		
17DM53741	L	L17DM53741		
17DM537411	L	L17DM537411		

ASF "own" and original PN's not RoHs		Compliant RoHs PN's WITH or WHITHOUT " L " to be ordered with " L "		
		Compliant PN's since the 1st of July 2005 to be ordered with " L "		
		PN's not RoHs, to be ordered WITHOUT the " L " untill new information		
Original Part Numbers		RoHs part numbers (all connectors are with tinned shells)	What has changed to be RoHs	To be changed to be RoHs
17DM537413	L	L17DM537413		
17DM537414	L	L17DM537414		
17DM537415000	L	L17DM537415000		
17DM537415001	L	L17DM537415001		
17DM537415003	L	L17DM537415003		
17DM53742	L	L17DM53742		
17DM537421	L	L17DM537421		
17DM537425	L	L17DM537425		
17DM537425000	L	L17DM537425000		
17DM537425001	L	L17DM537425001		
17DM537425002	L	L17DM537425002		
17DM537425004	L	L17DM537425004		
17DM537425006	L	L17DM537425006		
17DM537432	L	L17DM537432		
17DM537433	L	L17DM537433		
17DM537435	L	L17DM537435		
17DM537435000	L	L17DM537435000		
17DM537435001	L	L17DM537435001		
17DM537435003	L	L17DM537435003		
17DM537435004	L	L17DM537435004		
17DM537436	L	L17DM537436		
17DM537441	L	L17DM537441		
17DM53744201	L	L17DM53744201		
17DM53744201C309	L	L17DM53744201C309		
17DM53744206	L	L17DM53744206		
17DM53744206C309	L	L17DM53744206C309		
17DM53744207	L	L17DM53744207		
17DM53744207C309	L	L17DM53744207C309		
17DM537446	L	L17DM537446		
17DM537446C309	L	L17DM537446C309		
17DM537447	L	L17DM537447		
17DM537451	L	L17DM537451		
17DM53745201	L	L17DM53745201		

ASF "own" and original PN's not RoHs		Compliant RoHs PN's WITH or WHITHOUT " L " to be ordered with " L "		
		Compliant PN's since the 1st of July 2005 to be ordered with " L "		
		PN's not RoHs, to be ordered WITHOUT the " L " untill new information		
Original Part Numbers		RoHs part numbers (all connectors are with tinned shells)	What has changed to be RoHs	To be changed to be RoHs
17DM53745201C309	L	L17DM53745201C309		
17DM53745207	L	L17DM53745207		
17DM53745207C309	L	L17DM53745207C309		
17DM53745208	L	L17DM53745208		
17DM53745208C309	L	L17DM53745208C309		
17DM537457	L	L17DM537457		
17DM537457C309	L	L17DM537457C309		
17DM537458	L	L17DM537458		
17DM537458C309	L	L17DM537458C309		
17DPPK09JS	L	L17DPPK09JS		
17DPPK09JS(U)SINGLEPACK	L	L17DPPK09JS(U)SINGLEPACK		
17DPPK09TM	L	L17DPPK09TM		
17DPPK09TM(U)SINGLEPACK	L	L17DPPK09TM(U)SINGLEPACK		
17DPPK15JS	L	L17DPPK15JS		
17DPPK15JS(U)SINGLEPACK	L	L17DPPK15JS(U)SINGLEPACK		
17DPPK15TM(U)SINGLEPACK	L	L17DPPK15TM(U)SINGLEPACK		
17DPPK25JS	L	L17DPPK25JS		
17DPPK25JS(U)SINGLEPACK	L	L17DPPK25JS(U)SINGLEPACK		
17DPPK25SL	L	L17DPPK25SL		
17DPPK25TM	L	L17DPPK25TM		
17DPPK37JS	L	L17DPPK37JS		
17DPPK37JS(U)SINGLEPACK	L	L17DPPK37JS(U)SINGLEPACK		
17DPPK37TM	L	L17DPPK37TM		
17DPPK37TM(U)SINGLEPACK	L	L17DPPK37TM(U)SINGLEPACK		
17DPPK50JS	L	L17DPPK50JS		
17DSSK09TP(U)SINGLEPACK	L	L17DSSK09TP(U)SINGLEPACK		
17DSSK15TP(U)SINGLEPACK	L	L17DSSK15TP(U)SINGLEPACK		
17DSSK25TP(U)SINGLEPACK	L	L17DSSK25TP(U)SINGLEPACK		
17DSSK37TM(U)SINGLEPACK	L	L17DSSK37TM(U)SINGLEPACK		
17DSSK37TP(U)SINGLEPACK	L	L17DSSK37TP(U)SINGLEPACK		
17DTK09IR5.3	L	L17DTK09IR5.3		
17DTK09IR7.1	L	L17DTK09IR7.1		
17DTK09IR8.0	L	L17DTK09IR8.0		

ASF "own" and original PN's not RoHs		Compliant RoHs PN's WITH or WHITHOUT " L " →to be ordered with " L "		
		Compliant PN's since the 1st of July 2005 →to be ordered with " L "		
		PN's not RoHs, to be ordered WITHOUT the " L " untill new information		
Original Part Numbers		RoHs part numbers (all connectors are with tinned shells)	What has changed to be RoHs	To be changed to be RoHs
17DTK09IR9.0	L	L17DTK09IR9.0		
17DTK15IR11.7	L	L17DTK15IR11.7		
17DTK15IR7.1	L	L17DTK15IR7.1		
17DTK15IR8.0	L	L17DTK15IR8.0		
17DTK15IR9.0	L	L17DTK15IR9.0		
17DTK25IR11.7	L	L17DTK25IR11.7		
17DTK25IR5.3	L	L17DTK25IR5.3		
17DTK25IR9	L	L17DTK25IR9		
17DTK37IR11.7	L	L17DTK37IR11.7		
17DTK37IR9	L	L17DTK37IR9		
17DTPK09IJS	L	L17DTPK09IJS		
17DTPK15IJS	L	L17DTPK15IJS		
17DTPK25IJS	L	L17DTPK25IJS		
17DTPK37IJS	L	L17DTPK37IJS		
17DTZK15K	L	L17DTZK15K		
17DTZK25K	L	L17DTZK25K		
17DTZK37K	L	L17DTZK37K		
17DTZK9K	L	L17DTZK9K		
17DVIS09L13	L	L17DVIS09L13		
17DVZK09K	L	L17DVZK09K		
17DVZK15K	L	L17DVZK15K		
17DVZK25K	L	L17DVZK25K		
17DVZK37K	L	L17DVZK37K		
17EF0900110	L	L17EF0900110		
17EF0900111	L	L17EF0900111		
17EF0900112	L	L17EF0900112		
17EF0900114	L	L17EF0900114		
17EF0900115	L	L17EF0900115		
17EF0901110	L	L17EF0901110		
17EF0901111	L	L17EF0901111		
17EF0901112	L	L17EF0901112		
17EF0901114	L	L17EF0901114		
17EF0901115	L	L17EF0901115		

ASF "own" and original PN's not RoHs		Compliant RoHs PN's WITH or WHITHOUT " L " to be ordered with " L "		
		Compliant PN's since the 1st of July 2005 to be ordered with " L "		
		PN's not RoHs, to be ordered WITHOUT the " L " untill new information		
Original Part Numbers		RoHs part numbers (all connectors are with tinned shells)	What has changed to be RoHs	To be changed to be RoHs
17EF0902110	L	L17EF0902110		
17EF0902111	L	L17EF0902111		
17EF0902112	L	L17EF0902112		
17EF0902114	L	L17EF0902114		
17EF0902115	L	L17EF0902115		
17EF0910110	L	L17EF0910110		
17EF0910111	L	L17EF0910111		
17EF0910112	L	L17EF0910112		
17EF0910114	L	L17EF0910114		
17EF0910115	L	L17EF0910115		
17EF0911110	L	L17EF0911110		
17EF0911111	L	L17EF0911111		
17EF0911112	L	L17EF0911112		
17EF0911114	L	L17EF0911114		
17EF0911115	L	L17EF0911115		
17EF0912110	L	L17EF0912110		
17EF0912111	L	L17EF0912111		
17EF0912112	L	L17EF0912112		
17EF0912114	L	L17EF0912114		
17EF0912115	L	L17EF0912115		
17EF1500110	L	L17EF1500110		
17EF1500111	L	L17EF1500111		
17EF1500112	L	L17EF1500112		
17EF1500114	L	L17EF1500114		
17EF1500115	L	L17EF1500115		
17EF1501110	L	L17EF1501110		
17EF1501111	L	L17EF1501111		
17EF1501112	L	L17EF1501112		
17EF1501114	L	L17EF1501114		
17EF1501115	L	L17EF1501115		
17EF1502110	L	L17EF1502110		
17EF1502111	L	L17EF1502111		
17EF1502112	L	L17EF1502112		

ASF "own" and original PN's not RoHs		Compliant RoHs PN's WITH or WHITHOUT " L " to be ordered with " L "		
		Compliant PN's since the 1st of July 2005 to be ordered with " L "		
		PN's not RoHs, to be ordered WITHOUT the " L " untill new information		
Original Part Numbers		RoHs part numbers (all connectors are with tinned shells)	What has changed to be RoHs	To be changed to be RoHs
17EF1502114	L	L17EF1502114		
17EF1502115	L	L17EF1502115		
17EF1510110	L	L17EF1510110		
17EF1510111	L	L17EF1510111		
17EF1510112	L	L17EF1510112		
17EF1510114	L	L17EF1510114		
17EF1510115	L	L17EF1510115		
17EF1511110	L	L17EF1511110		
17EF1511111	L	L17EF1511111		
17EF1511112	L	L17EF1511112		
17EF1511114	L	L17EF1511114		
17EF1511115	L	L17EF1511115		
17EF1512110	L	L17EF1512110		
17EF1512111	L	L17EF1512111		
17EF1512112	L	L17EF1512112		
17EF1512114	L	L17EF1512114		
17EF1512115	L	L17EF1512115		
17EF2500110	L	L17EF2500110		
17EF2500111	L	L17EF2500111		
17EF2500112	L	L17EF2500112		
17EF2500114	L	L17EF2500114		
17EF2500115	L	L17EF2500115		
17EF2501110	L	L17EF2501110		
17EF2501111	L	L17EF2501111		
17EF2501112	L	L17EF2501112		
17EF2501114	L	L17EF2501114		
17EF2501115	L	L17EF2501115		
17EF2502110	L	L17EF2502110		
17EF2502111	L	L17EF2502111		
17EF2502112	L	L17EF2502112		
17EF2502114	L	L17EF2502114		
17EF2502115	L	L17EF2502115		
17EF2510110	L	L17EF2510110		

ASF "own" and original PN's not RoHs		Compliant RoHs PN's WITH or WHITHOUT " L " to be ordered with " L "		
		Compliant PN's since the 1st of July 2005 to be ordered with " L "		
		PN's not RoHs, to be ordered WITHOUT the " L " untill new information		
Original Part Numbers		RoHs part numbers (all connectors are with tinned shells)	What has changed to be RoHs	To be changed to be RoHs
17EF2510111	L	L17EF2510111		
17EF2510112	L	L17EF2510112		
17EF2510114	L	L17EF2510114		
17EF2510115	L	L17EF2510115		
17EF2511110	L	L17EF2511110		
17EF2511111	L	L17EF2511111		
17EF2511112	L	L17EF2511112		
17EF2511114	L	L17EF2511114		
17EF2511115	L	L17EF2511115		
17EF2512110	L	L17EF2512110		
17EF2512111	L	L17EF2512111		
17EF2512112	L	L17EF2512112		
17EF2512114	L	L17EF2512114		
17EF2512115	L	L17EF2512115		
17EF3700110	L	L17EF3700110		
17EF3700111	L	L17EF3700111		
17EF3700112	L	L17EF3700112		
17EF3700114	L	L17EF3700114		
17EF3700115	L	L17EF3700115		
17EF3701110	L	L17EF3701110		
17EF3701111	L	L17EF3701111		
17EF3701112	L	L17EF3701112		
17EF3701114	L	L17EF3701114		
17EF3701115	L	L17EF3701115		
17EF3702110	L	L17EF3702110		
17EF3702111	L	L17EF3702111		
17EF3702112	L	L17EF3702112		
17EF3702114	L	L17EF3702114		
17EF3702115	L	L17EF3702115		
17EF3710110	L	L17EF3710110		
17EF3710111	L	L17EF3710111		
17EF3710112	L	L17EF3710112		
17EF3710114	L	L17EF3710114		

ASF "own" and original PN's not RoHs		Compliant RoHs PN's WITH or WHITHOUT " L " to be ordered with " L "		
		Compliant PN's since the 1st of July 2005 to be ordered with " L "		
		PN's not RoHs, to be ordered WITHOUT the " L " untill new information		
Original Part Numbers		RoHs part numbers (all connectors are with tinned shells)	What has changed to be RoHs	To be changed to be RoHs
17EF3710115	L	L17EF3710115		
17EF3711110	L	L17EF3711110		
17EF3711111	L	L17EF3711111		
17EF3711112	L	L17EF3711112		
17EF3711114	L	L17EF3711114		
17EF3711115	L	L17EF3711115		
17EF3712110	L	L17EF3712110		
17EF3712111	L	L17EF3712111		
17EF3712112	L	L17EF3712112		
17EF3712114	L	L17EF3712114		
17EF3712115	L	L17EF3712115		
17H1110120	L	L17H1110120		
17H1110121	L	L17H1110121		
17H1110124	L	L17H1110124		
17H1110125	L	L17H1110125		
17H1110127	L	L17H1110127		
17H1110130	L	L17H1110130		
17H1110131	L	L17H1110131		
17H1110134	L	L17H1110134		
17H1110135	L	L17H1110135		
17H1110137	L	L17H1110137		
17H1111120	L	L17H1111120		
17H1111121	L	L17H1111121		
17H1111124	L	L17H1111124		
17H1111125	L	L17H1111125		
17H1111127	L	L17H1111127		
17H1111130	L	L17H1111130		
17H1111131	L	L17H1111131		
17H1111134	L	L17H1111134		
17H1111135	L	L17H1111135		
17H1111137	L	L17H1111137		
17H1112120	L	L17H1112120		
17H1112121	L	L17H1112121		

ASF "own" and original PN's not RoHs		Compliant RoHs PN's WITH or WHITHOUT " L " to be ordered with " L "		
		Compliant PN's since the 1st of July 2005 to be ordered with " L "		
		PN's not RoHs, to be ordered WITHOUT the " L " until new information		
Original Part Numbers		RoHs part numbers (all connectors are with tinned shells)	What has changed to be RoHs	To be changed to be RoHs
17H1112124	L	L17H1112124		
17H1112125	L	L17H1112125		
17H1112127	L	L17H1112127		
17H1112130	L	L17H1112130		
17H1112131	L	L17H1112131		
17H1112134	L	L17H1112134		
17H1112135	L	L17H1112135		
17H1112137	L	L17H1112137		
17H1120120	L	L17H1120120		
17H1120121	L	L17H1120121		
17H1120124	L	L17H1120124		
17H1120125	L	L17H1120125		
17H1120127	L	L17H1120127		
17H1121120	L	L17H1121120		
17H1121121	L	L17H1121121		
17H1121124	L	L17H1121124		
17H1121125	L	L17H1121125		
17H1121127	L	L17H1121127		
17H1122120	L	L17H1122120		
17H1122121	L	L17H1122121		
17H1122124	L	L17H1122124		
17H1122125	L	L17H1122125		
17H1122127	L	L17H1122127		
17H1130130	L	L17H1130130		
17H1130131	L	L17H1130131		
17H1130134	L	L17H1130134		
17H1130135	L	L17H1130135		
17H1130137	L	L17H1130137		
17H1131130	L	L17H1131130		
17H1131131	L	L17H1131131		
17H1131134	L	L17H1131134		
17H1131135	L	L17H1131135		
17H1131137	L	L17H1131137		

ASF "own" and original PN's not RoHs		Compliant RoHs PN's WITH or WHITHOUT " L " to be ordered with " L "		
		Compliant PN's since the 1st of July 2005 to be ordered with " L "		
		PN's not RoHs, to be ordered WITHOUT the " L " untill new information		
Original Part Numbers		RoHs part numbers (all connectors are with tinned shells)	What has changed to be RoHs	To be changed to be RoHs
17H1132130	L	L17H1132130		
17H1132131	L	L17H1132131		
17H1132134	L	L17H1132134		
17H1132135	L	L17H1132135		
17H1132137	L	L17H1132137		
17H1210120	L	L17H1210120		
17H1210121	L	L17H1210121		
17H1210124	L	L17H1210124		
17H1210125	L	L17H1210125		
17H1210127	L	L17H1210127		
17H1210130	L	L17H1210130		
17H1210131	L	L17H1210131		
17H1210134	L	L17H1210134		
17H1210135	L	L17H1210135		
17H1210137	L	L17H1210137		
17H1211120	L	L17H1211120		
17H1211121	L	L17H1211121		
17H1211124	L	L17H1211124		
17H1211125	L	L17H1211125		
17H1211127	L	L17H1211127		
17H1211130	L	L17H1211130		
17H1211131	L	L17H1211131		
17H1211134	L	L17H1211134		
17H1211135	L	L17H1211135		
17H1211137	L	L17H1211137		
17H1212120	L	L17H1212120		
17H1212121	L	L17H1212121		
17H1212124	L	L17H1212124		
17H1212125	L	L17H1212125		
17H1212127	L	L17H1212127		
17H1212130	L	L17H1212130		
17H1212131	L	L17H1212131		
17H1212134	L	L17H1212134		

ASF "own" and original PN's not RoHs		Compliant RoHs PN's WITH or WHITHOUT " L " to be ordered with " L "		
		Compliant PN's since the 1st of July 2005 to be ordered with " L "		
		PN's not RoHs, to be ordered WITHOUT the " L " untill new information		
Original Part Numbers		RoHs part numbers (all connectors are with tinned shells)	What has changed to be RoHs	To be changed to be RoHs
17H1212135	L	L17H1212135		
17H1212137	L	L17H1212137		
17H1220120	L	L17H1220120		
17H1220121	L	L17H1220121		
17H1220124	L	L17H1220124		
17H1220125	L	L17H1220125		
17H1220127	L	L17H1220127		
17H1220130	L	L17H1220130		
17H1220131	L	L17H1220131		
17H1220134	L	L17H1220134		
17H1220135	L	L17H1220135		
17H1220137	L	L17H1220137		
17H1221120	L	L17H1221120		
17H1221121	L	L17H1221121		
17H1221124	L	L17H1221124		
17H1221125	L	L17H1221125		
17H1221127	L	L17H1221127		
17H1221130	L	L17H1221130		
17H1221131	L	L17H1221131		
17H1221134	L	L17H1221134		
17H1221135	L	L17H1221135		
17H1221137	L	L17H1221137		
17H1222120	L	L17H1222120		
17H1222121	L	L17H1222121		
17H1222124	L	L17H1222124		
17H1222125	L	L17H1222125		
17H1222127	L	L17H1222127		
17H1222130	L	L17H1222130		
17H1222131	L	L17H1222131		
17H1222134	L	L17H1222134		
17H1222135	L	L17H1222135		
17H1222137	L	L17H1222137		
17H1330120	L	L17H1330120		

ASF "own" and original PN's not RoHs		Compliant RoHs PN's WITH or WHITHOUT " L " to be ordered with " L "		
		Compliant PN's since the 1st of July 2005 to be ordered with " L "		
		PN's not RoHs, to be ordered WITHOUT the " L " untill new information		
Original Part Numbers		RoHs part numbers (all connectors are with tinned shells)	What has changed to be RoHs	To be changed to be RoHs
17H1330121	L	L17H1330121		
17H1330124	L	L17H1330124		
17H1330125	L	L17H1330125		
17H1330127	L	L17H1330127		
17H1330130	L	L17H1330130		
17H1330131	L	L17H1330131		
17H1330134	L	L17H1330134		
17H1330135	L	L17H1330135		
17H1330137	L	L17H1330137		
17H1331120	L	L17H1331120		
17H1331121	L	L17H1331121		
17H1331124	L	L17H1331124		
17H1331125	L	L17H1331125		
17H1331127	L	L17H1331127		
17H1331130	L	L17H1331130		
17H1331131	L	L17H1331131		
17H1331134	L	L17H1331134		
17H1331135	L	L17H1331135		
17H1331137	L	L17H1331137		
17H1332120	L	L17H1332120		
17H1332121	L	L17H1332121		
17H1332124	L	L17H1332124		
17H1332125	L	L17H1332125		
17H1332127	L	L17H1332127		
17H1332130	L	L17H1332130		
17H1332131	L	L17H1332131		
17H1332134	L	L17H1332134		
17H1332135	L	L17H1332135		
17H1332137	L	L17H1332137		
17H1340120	L	L17H1340120		
17H1340121	L	L17H1340121		
17H1340124	L	L17H1340124		
17H1340125	L	L17H1340125		

ASF "own" and original
PN's not RoHs

Compliant RoHs PN's WITH or WHITHOUT " L " ~~to~~ to be ordered with " L "

Compliant PN's since the 1st of July 2005 ~~to~~ to be ordered with " L "

PN's not RoHs, to be ordered WITHOUT the " L " untill new information

Original Part Numbers		RoHs part numbers (all connectors are with tinned shells)	What has changed to be RoHs	To be changed to be RoHs
17H1340127	L	L17H1340127		
17H1340130	L	L17H1340130		
17H1340131	L	L17H1340131		
17H1340134	L	L17H1340134		
17H1340135	L	L17H1340135		
17H1340137	L	L17H1340137		
17H1341120	L	L17H1341120		
17H1341121	L	L17H1341121		
17H1341124	L	L17H1341124		
17H1341125	L	L17H1341125		
17H1341127	L	L17H1341127		
17H1341130	L	L17H1341130		
17H1341131	L	L17H1341131		
17H1341134	L	L17H1341134		
17H1341135	L	L17H1341135		
17H1341137	L	L17H1341137		
17H1342120	L	L17H1342120		
17H1342121	L	L17H1342121		
17H1342124	L	L17H1342124		
17H1342125	L	L17H1342125		
17H1342127	L	L17H1342127		
17H1342130	L	L17H1342130		
17H1342131	L	L17H1342131		
17H1342134	L	L17H1342134		
17H1342135	L	L17H1342135		
17H1342137	L	L17H1342137		
17H1430120	L	L17H1430120		
17H1430121	L	L17H1430121		
17H1430124	L	L17H1430124		
17H1430125	L	L17H1430125		
17H1430127	L	L17H1430127		
17H1430130	L	L17H1430130		
17H1430131	L	L17H1430131		

ASF "own" and original PN's not RoHs		Compliant RoHs PN's WITH or WHITHOUT " L " to be ordered with " L "		
		Compliant PN's since the 1st of July 2005 to be ordered with " L "		
		PN's not RoHs, to be ordered WITHOUT the " L " untill new information		
Original Part Numbers		RoHs part numbers (all connectors are with tinned shells)	What has changed to be RoHs	To be changed to be RoHs
17H1430134	L	L17H1430134		
17H1430135	L	L17H1430135		
17H1430137	L	L17H1430137		
17H1431120	L	L17H1431120		
17H1431121	L	L17H1431121		
17H1431124	L	L17H1431124		
17H1431125	L	L17H1431125		
17H1431127	L	L17H1431127		
17H1431130	L	L17H1431130		
17H1431131	L	L17H1431131		
17H1431134	L	L17H1431134		
17H1431135	L	L17H1431135		
17H1431137	L	L17H1431137		
17H1432120	L	L17H1432120		
17H1432121	L	L17H1432121		
17H1432124	L	L17H1432124		
17H1432125	L	L17H1432125		
17H1432127	L	L17H1432127		
17H1432130	L	L17H1432130		
17H1432131	L	L17H1432131		
17H1432134	L	L17H1432134		
17H1432135	L	L17H1432135		
17H1432137	L	L17H1432137		
17H1440120	L	L17H1440120		
17H1440121	L	L17H1440121		
17H1440124	L	L17H1440124		
17H1440125	L	L17H1440125		
17H1440127	L	L17H1440127		
17H1440130	L	L17H1440130		
17H1440131	L	L17H1440131		
17H1440134	L	L17H1440134		
17H1440135	L	L17H1440135		
17H1440137	L	L17H1440137		

ASF "own" and original PN's not RoHs		Compliant RoHs PN's WITH or WHITHOUT " L " to be ordered with " L "		
		Compliant PN's since the 1st of July 2005 to be ordered with " L "		
		PN's not RoHs, to be ordered WITHOUT the " L " untill new information		
Original Part Numbers		RoHs part numbers (all connectors are with tinned shells)	What has changed to be RoHs	To be changed to be RoHs
17H1441120	L	L17H1441120		
17H1441121	L	L17H1441121		
17H1441124	L	L17H1441124		
17H1441125	L	L17H1441125		
17H1441127	L	L17H1441127		
17H1441130	L	L17H1441130		
17H1441131	L	L17H1441131		
17H1441134	L	L17H1441134		
17H1441135	L	L17H1441135		
17H1441137	L	L17H1441137		
17H1442120	L	L17H1442120		
17H1442121	L	L17H1442121		
17H1442124	L	L17H1442124		
17H1442125	L	L17H1442125		
17H1442127	L	L17H1442127		
17H1442130	L	L17H1442130		
17H1442131	L	L17H1442131		
17H1442134	L	L17H1442134		
17H1442135	L	L17H1442135		
17H1442137	L	L17H1442137		
17H1550120	L	L17H1550120		
17H1550121	L	L17H1550121		
17H1550124	L	L17H1550124		
17H1550125	L	L17H1550125		
17H1550127	L	L17H1550127		
17H1550130	L	L17H1550130		
17H1550131	L	L17H1550131		
17H1550134	L	L17H1550134		
17H1550135	L	L17H1550135		
17H1550137	L	L17H1550137		
17H1551120	L	L17H1551120		
17H1551121	L	L17H1551121		
17H1551124	L	L17H1551124		

ASF "own" and original PN's not RoHs		Compliant RoHs PN's WITH or WHITHOUT " L " to be ordered with " L "		
		Compliant PN's since the 1st of July 2005 to be ordered with " L "		
		PN's not RoHs, to be ordered WITHOUT the " L " untill new information		
Original Part Numbers		RoHs part numbers (all connectors are with tinned shells)	What has changed to be RoHs	To be changed to be RoHs
17H1551125	L	L17H1551125		
17H1551127	L	L17H1551127		
17H1551130	L	L17H1551130		
17H1551131	L	L17H1551131		
17H1551134	L	L17H1551134		
17H1551135	L	L17H1551135		
17H1551137	L	L17H1551137		
17H1552120	L	L17H1552120		
17H1552121	L	L17H1552121		
17H1552124	L	L17H1552124		
17H1552125	L	L17H1552125		
17H1552127	L	L17H1552127		
17H1552130	L	L17H1552130		
17H1552131	L	L17H1552131		
17H1552134	L	L17H1552134		
17H1552135	L	L17H1552135		
17H1552137	L	L17H1552137		
17H1560120	L	L17H1560120		
17H1560121	L	L17H1560121		
17H1560124	L	L17H1560124		
17H1560125	L	L17H1560125		
17H1560127	L	L17H1560127		
17H1560130	L	L17H1560130		
17H1560131	L	L17H1560131		
17H1560134	L	L17H1560134		
17H1560135	L	L17H1560135		
17H1560137	L	L17H1560137		
17H1561120	L	L17H1561120		
17H1561121	L	L17H1561121		
17H1561124	L	L17H1561124		
17H1561125	L	L17H1561125		
17H1561127	L	L17H1561127		
17H1561130	L	L17H1561130		

ASF "own" and original
PN's not RoHs

Compliant RoHs PN's WITH or WHITHOUT " L " ~~to~~ be ordered with " L "

Compliant PN's since the 1st of July 2005 ~~to~~ be ordered with " L "

PN's not RoHs, to be ordered WITHOUT the " L " untill new information

Original Part Numbers		RoHs part numbers (all connectors are with tinned shells)	What has changed to be RoHs	To be changed to be RoHs
17H1561131	L	L17H1561131		
17H1561134	L	L17H1561134		
17H1561135	L	L17H1561135		
17H1561137	L	L17H1561137		
17H1562120	L	L17H1562120		
17H1562121	L	L17H1562121		
17H1562124	L	L17H1562124		
17H1562125	L	L17H1562125		
17H1562127	L	L17H1562127		
17H1562130	L	L17H1562130		
17H1562131	L	L17H1562131		
17H1562134	L	L17H1562134		
17H1562135	L	L17H1562135		
17H1562137	L	L17H1562137		
17H1650120	L	L17H1650120		
17H1650121	L	L17H1650121		
17H1650124	L	L17H1650124		
17H1650125	L	L17H1650125		
17H1650127	L	L17H1650127		
17H1650130	L	L17H1650130		
17H1650131	L	L17H1650131		
17H1650134	L	L17H1650134		
17H1650135	L	L17H1650135		
17H1650137	L	L17H1650137		
17H1651120	L	L17H1651120		
17H1651121	L	L17H1651121		
17H1651124	L	L17H1651124		
17H1651125	L	L17H1651125		
17H1651127	L	L17H1651127		
17H1651130	L	L17H1651130		
17H1651131	L	L17H1651131		
17H1651134	L	L17H1651134		
17H1651135	L	L17H1651135		

ASF "own" and original PN's not RoHs		Compliant RoHs PN's WITH or WHITHOUT " L " to be ordered with " L "		
		Compliant PN's since the 1st of July 2005 to be ordered with " L "		
		PN's not RoHs, to be ordered WITHOUT the " L " untill new information		
Original Part Numbers		RoHs part numbers (all connectors are with tinned shells)	What has changed to be RoHs	To be changed to be RoHs
17H1651137	L	L17H1651137		
17H1652120	L	L17H1652120		
17H1652121	L	L17H1652121		
17H1652124	L	L17H1652124		
17H1652125	L	L17H1652125		
17H1652127	L	L17H1652127		
17H1652130	L	L17H1652130		
17H1652131	L	L17H1652131		
17H1652134	L	L17H1652134		
17H1652135	L	L17H1652135		
17H1652137	L	L17H1652137		
17H1660120	L	L17H1660120		
17H1660121	L	L17H1660121		
17H1660124	L	L17H1660124		
17H1660125	L	L17H1660125		
17H1660127	L	L17H1660127		
17H1660130	L	L17H1660130		
17H1660131	L	L17H1660131		
17H1660134	L	L17H1660134		
17H1660135	L	L17H1660135		
17H1660137	L	L17H1660137		
17H1661120	L	L17H1661120		
17H1661121	L	L17H1661121		
17H1661124	L	L17H1661124		
17H1661125	L	L17H1661125		
17H1661127	L	L17H1661127		
17H1661130	L	L17H1661130		
17H1661131	L	L17H1661131		
17H1661134	L	L17H1661134		
17H1661135	L	L17H1661135		
17H1661137	L	L17H1661137		
17H1662120	L	L17H1662120		
17H1662121	L	L17H1662121		

ASF "own" and original
PN's not RoHs

Compliant RoHs PN's WITH or WHITHOUT " L " ~~to~~ be ordered with " L "

Compliant PN's since the 1st of July 2005 ~~to~~ be ordered with " L "

PN's not RoHs, to be ordered WITHOUT the " L " untill new information

Original Part Numbers		RoHs part numbers (all connectors are with tinned shells)	What has changed to be RoHs	To be changed to be RoHs
17H1662124	L	L17H1662124		
17H1662125	L	L17H1662125		
17H1662127	L	L17H1662127		
17H1662130	L	L17H1662130		
17H1662131	L	L17H1662131		
17H1662134	L	L17H1662134		
17H1662135	L	L17H1662135		
17H1662137	L	L17H1662137		
17H1770120	L	L17H1770120		
17H1770121	L	L17H1770121		
17H1770124	L	L17H1770124		
17H1770125	L	L17H1770125		
17H1770127	L	L17H1770127		
17H1770130	L	L17H1770130		
17H1770131	L	L17H1770131		
17H1770134	L	L17H1770134		
17H1770135	L	L17H1770135		
17H1770137	L	L17H1770137		
17H1771120	L	L17H1771120		
17H1771121	L	L17H1771121		
17H1771124	L	L17H1771124		
17H1771125	L	L17H1771125		
17H1771127	L	L17H1771127		
17H1771130	L	L17H1771130		
17H1771131	L	L17H1771131		
17H1771134	L	L17H1771134		
17H1771135	L	L17H1771135		
17H1771137	L	L17H1771137		
17H1772120	L	L17H1772120		
17H1772121	L	L17H1772121		
17H1772124	L	L17H1772124		
17H1772125	L	L17H1772125		
17H1772127	L	L17H1772127		

ASF "own" and original PN's not RoHs		Compliant RoHs PN's WITH or WHITHOUT " L " to be ordered with " L "		
		Compliant PN's since the 1st of July 2005 to be ordered with " L "		
		PN's not RoHs, to be ordered WITHOUT the " L " untill new information		
Original Part Numbers		RoHs part numbers (all connectors are with tinned shells)	What has changed to be RoHs	To be changed to be RoHs
17H1772130	L	L17H1772130		
17H1772131	L	L17H1772131		
17H1772134	L	L17H1772134		
17H1772135	L	L17H1772135		
17H1772137	L	L17H1772137		
17H1DD0120	L	L17H1DD0120		
17H1DD0121	L	L17H1DD0121		
17H1DD0124	L	L17H1DD0124		
17H1DD0125	L	L17H1DD0125		
17H1DD0127	L	L17H1DD0127		
17H1DD0130	L	L17H1DD0130		
17H1DD0131	L	L17H1DD0131		
17H1DD0134	L	L17H1DD0134		
17H1DD0135	L	L17H1DD0135		
17H1DD0137	L	L17H1DD0137		
17H1DD1120	L	L17H1DD1120		
17H1DD1121	L	L17H1DD1121		
17H1DD1124	L	L17H1DD1124		
17H1DD1125	L	L17H1DD1125		
17H1DD1127	L	L17H1DD1127		
17H1DD1130	L	L17H1DD1130		
17H1DD1131	L	L17H1DD1131		
17H1DD1134	L	L17H1DD1134		
17H1DD1135	L	L17H1DD1135		
17H1DD1137	L	L17H1DD1137		
17H1DD2120	L	L17H1DD2120		
17H1DD2121	L	L17H1DD2121		
17H1DD2124	L	L17H1DD2124		
17H1DD2125	L	L17H1DD2125		
17H1DD2127	L	L17H1DD2127		
17H1DD2130	L	L17H1DD2130		
17H1DD2131	L	L17H1DD2131		
17H1DD2134	L	L17H1DD2134		

ASF "own" and original PN's not RoHs		Compliant RoHs PN's WITH or WHITHOUT " L " →to be ordered with " L "		
		Compliant PN's since the 1st of July 2005 →to be ordered with " L "		
		PN's not RoHs, to be ordered WITHOUT the " L " untill new information		
Original Part Numbers		RoHs part numbers (all connectors are with tinned shells)	What has changed to be RoHs	To be changed to be RoHs
17H1DD2135	L	L17H1DD2135		
17H1DD2137	L	L17H1DD2137		
17H1DE0120	L	L17H1DE0120		
17H1DE0121	L	L17H1DE0121		
17H1DE0124	L	L17H1DE0124		
17H1DE0125	L	L17H1DE0125		
17H1DE0127	L	L17H1DE0127		
17H1DE0130	L	L17H1DE0130		
17H1DE0131	L	L17H1DE0131		
17H1DE0134	L	L17H1DE0134		
17H1DE0135	L	L17H1DE0135		
17H1DE0137	L	L17H1DE0137		
17H1DE1120	L	L17H1DE1120		
17H1DE1121	L	L17H1DE1121		
17H1DE1124	L	L17H1DE1124		
17H1DE1125	L	L17H1DE1125		
17H1DE1127	L	L17H1DE1127		
17H1DE1130	L	L17H1DE1130		
17H1DE1131	L	L17H1DE1131		
17H1DE1134	L	L17H1DE1134		
17H1DE1135	L	L17H1DE1135		
17H1DE1137	L	L17H1DE1137		
17H1DE2120	L	L17H1DE2120		
17H1DE2121	L	L17H1DE2121		
17H1DE2124	L	L17H1DE2124		
17H1DE2125	L	L17H1DE2125		
17H1DE2127	L	L17H1DE2127		
17H1DE2130	L	L17H1DE2130		
17H1DE2131	L	L17H1DE2131		
17H1DE2134	L	L17H1DE2134		
17H1DE2135	L	L17H1DE2135		
17H1DE2137	L	L17H1DE2137		
17H1ED0120	L	L17H1ED0120		

ASF "own" and original PN's not RoHs		Compliant RoHs PN's WITH or WHITHOUT " L " →to be ordered with " L "		
		Compliant PN's since the 1st of July 2005 →to be ordered with " L "		
		PN's not RoHs, to be ordered WITHOUT the " L " untill new information		
Original Part Numbers		RoHs part numbers (all connectors are with tinned shells)	What has changed to be RoHs	To be changed to be RoHs
17H1ED0121	L	L17H1ED0121		
17H1ED0124	L	L17H1ED0124		
17H1ED0125	L	L17H1ED0125		
17H1ED0127	L	L17H1ED0127		
17H1ED0130	L	L17H1ED0130		
17H1ED0131	L	L17H1ED0131		
17H1ED0134	L	L17H1ED0134		
17H1ED0135	L	L17H1ED0135		
17H1ED0137	L	L17H1ED0137		
17H1ED1120	L	L17H1ED1120		
17H1ED1121	L	L17H1ED1121		
17H1ED1124	L	L17H1ED1124		
17H1ED1125	L	L17H1ED1125		
17H1ED1127	L	L17H1ED1127		
17H1ED1130	L	L17H1ED1130		
17H1ED1131	L	L17H1ED1131		
17H1ED1134	L	L17H1ED1134		
17H1ED1135	L	L17H1ED1135		
17H1ED1137	L	L17H1ED1137		
17H1ED2120	L	L17H1ED2120		
17H1ED2121	L	L17H1ED2121		
17H1ED2124	L	L17H1ED2124		
17H1ED2125	L	L17H1ED2125		
17H1ED2127	L	L17H1ED2127		
17H1ED2130	L	L17H1ED2130		
17H1ED2131	L	L17H1ED2131		
17H1ED2134	L	L17H1ED2134		
17H1ED2135	L	L17H1ED2135		
17H1ED2137	L	L17H1ED2137		
17H1EE0120	L	L17H1EE0120		
17H1EE0121	L	L17H1EE0121		
17H1EE0124	L	L17H1EE0124		
17H1EE0125	L	L17H1EE0125		

ASF "own" and original
PN's not RoHs

Compliant RoHs PN's WITH or WHITHOUT " L " →to be ordered with " L "

Compliant PN's since the 1st of July 2005 →to be ordered with " L "

PN's not RoHs, to be ordered WITHOUT the " L " untill new information

Original Part Numbers		RoHs part numbers (all connectors are with tinned shells)	What has changed to be RoHs	To be changed to be RoHs
17H1EE0127	L	L17H1EE0127		
17H1EE0130	L	L17H1EE0130		
17H1EE0131	L	L17H1EE0131		
17H1EE0134	L	L17H1EE0134		
17H1EE0135	L	L17H1EE0135		
17H1EE0137	L	L17H1EE0137		
17H1EE1120	L	L17H1EE1120		
17H1EE1121	L	L17H1EE1121		
17H1EE1124	L	L17H1EE1124		
17H1EE1125	L	L17H1EE1125		
17H1EE1127	L	L17H1EE1127		
17H1EE1130	L	L17H1EE1130		
17H1EE1131	L	L17H1EE1131		
17H1EE1134	L	L17H1EE1134		
17H1EE1135	L	L17H1EE1135		
17H1EE1137	L	L17H1EE1137		
17H1EE2120	L	L17H1EE2120		
17H1EE2121	L	L17H1EE2121		
17H1EE2124	L	L17H1EE2124		
17H1EE2125	L	L17H1EE2125		
17H1EE2127	L	L17H1EE2127		
17H1EE2130	L	L17H1EE2130		
17H1EE2131	L	L17H1EE2131		
17H1EE2134	L	L17H1EE2134		
17H1EE2135	L	L17H1EE2135		
17H1EE2137	L	L17H1EE2137		
17H2110120	L	L17H2110120		
17H2110121	L	L17H2110121		
17H2110124	L	L17H2110124		
17H2110125	L	L17H2110125		
17H2110127	L	L17H2110127		
17H2110130	L	L17H2110130		
17H2110131	L	L17H2110131		

ASF "own" and original PN's not RoHs		Compliant RoHs PN's WITH or WHITHOUT " L " →to be ordered with " L "		
		Compliant PN's since the 1st of July 2005 →to be ordered with " L "		
		PN's not RoHs, to be ordered WITHOUT the " L " untill new information		
Original Part Numbers		RoHs part numbers (all connectors are with tinned shells)	What has changed to be RoHs	To be changed to be RoHs
17H2110134	L	L17H2110134		
17H2110135	L	L17H2110135		
17H2110137	L	L17H2110137		
17H2111120	L	L17H2111120		
17H2111121	L	L17H2111121		
17H2111124	L	L17H2111124		
17H2111125	L	L17H2111125		
17H2111127	L	L17H2111127		
17H2111130	L	L17H2111130		
17H2111131	L	L17H2111131		
17H2111134	L	L17H2111134		
17H2111135	L	L17H2111135		
17H2111137	L	L17H2111137		
17H2112120	L	L17H2112120		
17H2112121	L	L17H2112121		
17H2112124	L	L17H2112124		
17H2112125	L	L17H2112125		
17H2112127	L	L17H2112127		
17H2112130	L	L17H2112130		
17H2112131	L	L17H2112131		
17H2112134	L	L17H2112134		
17H2112135	L	L17H2112135		
17H2112137	L	L17H2112137		
17H2120120	L	L17H2120120		
17H2120121	L	L17H2120121		
17H2120124	L	L17H2120124		
17H2120125	L	L17H2120125		
17H2120127	L	L17H2120127		
17H2121120	L	L17H2121120		
17H2121121	L	L17H2121121		
17H2121124	L	L17H2121124		
17H2121125	L	L17H2121125		
17H2121127	L	L17H2121127		

ASF "own" and original PN's not RoHs		Compliant RoHs PN's WITH or WHITHOUT " L " to be ordered with " L "		
		Compliant PN's since the 1st of July 2005 to be ordered with " L "		
		PN's not RoHs, to be ordered WITHOUT the " L " untill new information		
Original Part Numbers		RoHs part numbers (all connectors are with tinned shells)	What has changed to be RoHs	To be changed to be RoHs
17H2122120	L	L17H2122120		
17H2122121	L	L17H2122121		
17H2122124	L	L17H2122124		
17H2122125	L	L17H2122125		
17H2122127	L	L17H2122127		
17H2130130	L	L17H2130130		
17H2130131	L	L17H2130131		
17H2130134	L	L17H2130134		
17H2130135	L	L17H2130135		
17H2130137	L	L17H2130137		
17H2131130	L	L17H2131130		
17H2131131	L	L17H2131131		
17H2131134	L	L17H2131134		
17H2131135	L	L17H2131135		
17H2131137	L	L17H2131137		
17H2132130	L	L17H2132130		
17H2132131	L	L17H2132131		
17H2132134	L	L17H2132134		
17H2132135	L	L17H2132135		
17H2132137	L	L17H2132137		
17H2210120	L	L17H2210120		
17H2210121	L	L17H2210121		
17H2210124	L	L17H2210124		
17H2210125	L	L17H2210125		
17H2210127	L	L17H2210127		
17H2210130	L	L17H2210130		
17H2210131	L	L17H2210131		
17H2210134	L	L17H2210134		
17H2210135	L	L17H2210135		
17H2210137	L	L17H2210137		
17H2211120	L	L17H2211120		
17H2211121	L	L17H2211121		
17H2211124	L	L17H2211124		

ASF "own" and original PN's not RoHs		Compliant RoHs PN's WITH or WHITHOUT " L " to be ordered with " L "		
		Compliant PN's since the 1st of July 2005 to be ordered with " L "		
		PN's not RoHs, to be ordered WITHOUT the " L " untill new information		
Original Part Numbers		RoHs part numbers (all connectors are with tinned shells)	What has changed to be RoHs	To be changed to be RoHs
17H2211125	L	L17H2211125		
17H2211127	L	L17H2211127		
17H2211130	L	L17H2211130		
17H2211131	L	L17H2211131		
17H2211134	L	L17H2211134		
17H2211135	L	L17H2211135		
17H2211137	L	L17H2211137		
17H2212120	L	L17H2212120		
17H2212121	L	L17H2212121		
17H2212124	L	L17H2212124		
17H2212125	L	L17H2212125		
17H2212127	L	L17H2212127		
17H2212130	L	L17H2212130		
17H2212131	L	L17H2212131		
17H2212134	L	L17H2212134		
17H2212135	L	L17H2212135		
17H2212137	L	L17H2212137		
17H2220120	L	L17H2220120		
17H2220121	L	L17H2220121		
17H2220124	L	L17H2220124		
17H2220125	L	L17H2220125		
17H2220127	L	L17H2220127		
17H2220130	L	L17H2220130		
17H2220131	L	L17H2220131		
17H2220134	L	L17H2220134		
17H2220135	L	L17H2220135		
17H2220137	L	L17H2220137		
17H2221120	L	L17H2221120		
17H2221121	L	L17H2221121		
17H2221124	L	L17H2221124		
17H2221125	L	L17H2221125		
17H2221127	L	L17H2221127		
17H2221130	L	L17H2221130		

ASF "own" and original
PN's not RoHs

Compliant RoHs PN's WITH or WHITHOUT " L " ~~to~~ be ordered with " L "

Compliant PN's since the 1st of July 2005 ~~to~~ be ordered with " L "

PN's not RoHs, to be ordered WITHOUT the " L " untill new information

Original Part Numbers		RoHs part numbers (all connectors are with tinned shells)	What has changed to be RoHs	To be changed to be RoHs
17H2221131	L	L17H2221131		
17H2221134	L	L17H2221134		
17H2221135	L	L17H2221135		
17H2221137	L	L17H2221137		
17H2222120	L	L17H2222120		
17H2222121	L	L17H2222121		
17H2222124	L	L17H2222124		
17H2222125	L	L17H2222125		
17H2222127	L	L17H2222127		
17H2222130	L	L17H2222130		
17H2222131	L	L17H2222131		
17H2222134	L	L17H2222134		
17H2222135	L	L17H2222135		
17H2222137	L	L17H2222137		
17H2330120	L	L17H2330120		
17H2330121	L	L17H2330121		
17H2330124	L	L17H2330124		
17H2330125	L	L17H2330125		
17H2330127	L	L17H2330127		
17H2330130	L	L17H2330130		
17H2330131	L	L17H2330131		
17H2330134	L	L17H2330134		
17H2330135	L	L17H2330135		
17H2330137	L	L17H2330137		
17H2331120	L	L17H2331120		
17H2331121	L	L17H2331121		
17H2331124	L	L17H2331124		
17H2331125	L	L17H2331125		
17H2331127	L	L17H2331127		
17H2331130	L	L17H2331130		
17H2331131	L	L17H2331131		
17H2331134	L	L17H2331134		
17H2331135	L	L17H2331135		

ASF "own" and original PN's not RoHs		Compliant RoHs PN's WITH or WHITHOUT " L " to be ordered with " L "		
		Compliant PN's since the 1st of July 2005 to be ordered with " L "		
		PN's not RoHs, to be ordered WITHOUT the " L " untill new information		
Original Part Numbers		RoHs part numbers (all connectors are with tinned shells)	What has changed to be RoHs	To be changed to be RoHs
17H2331137	L	L17H2331137		
17H2332120	L	L17H2332120		
17H2332121	L	L17H2332121		
17H2332124	L	L17H2332124		
17H2332125	L	L17H2332125		
17H2332127	L	L17H2332127		
17H2332130	L	L17H2332130		
17H2332131	L	L17H2332131		
17H2332134	L	L17H2332134		
17H2332135	L	L17H2332135		
17H2332137	L	L17H2332137		
17H2340120	L	L17H2340120		
17H2340121	L	L17H2340121		
17H2340124	L	L17H2340124		
17H2340125	L	L17H2340125		
17H2340127	L	L17H2340127		
17H2340130	L	L17H2340130		
17H2340131	L	L17H2340131		
17H2340134	L	L17H2340134		
17H2340135	L	L17H2340135		
17H2340137	L	L17H2340137		
17H2341120	L	L17H2341120		
17H2341121	L	L17H2341121		
17H2341124	L	L17H2341124		
17H2341125	L	L17H2341125		
17H2341127	L	L17H2341127		
17H2341130	L	L17H2341130		
17H2341131	L	L17H2341131		
17H2341134	L	L17H2341134		
17H2341135	L	L17H2341135		
17H2341137	L	L17H2341137		
17H2342120	L	L17H2342120		
17H2342121	L	L17H2342121		

ASF "own" and original PN's not RoHs		Compliant RoHs PN's WITH or WHITHOUT " L " to be ordered with " L "		
		Compliant PN's since the 1st of July 2005 to be ordered with " L "		
		PN's not RoHs, to be ordered WITHOUT the " L " untill new information		
Original Part Numbers		RoHs part numbers (all connectors are with tinned shells)	What has changed to be RoHs	To be changed to be RoHs
17H2342124	L	L17H2342124		
17H2342125	L	L17H2342125		
17H2342127	L	L17H2342127		
17H2342130	L	L17H2342130		
17H2342131	L	L17H2342131		
17H2342134	L	L17H2342134		
17H2342135	L	L17H2342135		
17H2342137	L	L17H2342137		
17H2430120	L	L17H2430120		
17H2430121	L	L17H2430121		
17H2430124	L	L17H2430124		
17H2430125	L	L17H2430125		
17H2430127	L	L17H2430127		
17H2430130	L	L17H2430130		
17H2430131	L	L17H2430131		
17H2430134	L	L17H2430134		
17H2430135	L	L17H2430135		
17H2430137	L	L17H2430137		
17H2431120	L	L17H2431120		
17H2431121	L	L17H2431121		
17H2431124	L	L17H2431124		
17H2431125	L	L17H2431125		
17H2431127	L	L17H2431127		
17H2431130	L	L17H2431130		
17H2431131	L	L17H2431131		
17H2431134	L	L17H2431134		
17H2431135	L	L17H2431135		
17H2431137	L	L17H2431137		
17H2432120	L	L17H2432120		
17H2432121	L	L17H2432121		
17H2432124	L	L17H2432124		
17H2432125	L	L17H2432125		
17H2432127	L	L17H2432127		

ASF "own" and original PN's not RoHs		Compliant RoHs PN's WITH or WHITHOUT " L " to be ordered with " L "		
		Compliant PN's since the 1st of July 2005 to be ordered with " L "		
		PN's not RoHs, to be ordered WITHOUT the " L " untill new information		
Original Part Numbers		RoHs part numbers (all connectors are with tinned shells)	What has changed to be RoHs	To be changed to be RoHs
17H2432130	L	L17H2432130		
17H2432131	L	L17H2432131		
17H2432134	L	L17H2432134		
17H2432135	L	L17H2432135		
17H2432137	L	L17H2432137		
17H2440120	L	L17H2440120		
17H2440121	L	L17H2440121		
17H2440124	L	L17H2440124		
17H2440125	L	L17H2440125		
17H2440127	L	L17H2440127		
17H2440130	L	L17H2440130		
17H2440131	L	L17H2440131		
17H2440134	L	L17H2440134		
17H2440135	L	L17H2440135		
17H2440137	L	L17H2440137		
17H2441120	L	L17H2441120		
17H2441121	L	L17H2441121		
17H2441124	L	L17H2441124		
17H2441125	L	L17H2441125		
17H2441127	L	L17H2441127		
17H2441130	L	L17H2441130		
17H2441131	L	L17H2441131		
17H2441134	L	L17H2441134		
17H2441135	L	L17H2441135		
17H2441137	L	L17H2441137		
17H2442120	L	L17H2442120		
17H2442121	L	L17H2442121		
17H2442124	L	L17H2442124		
17H2442125	L	L17H2442125		
17H2442127	L	L17H2442127		
17H2442130	L	L17H2442130		
17H2442131	L	L17H2442131		
17H2442134	L	L17H2442134		

ASF "own" and original PN's not RoHs

Compliant RoHs PN's WITH or WHITHOUT " L " → to be ordered with " L "

Compliant PN's since the 1st of July 2005 → to be ordered with " L "

PN's not RoHs, to be ordered WITHOUT the " L " untill new information

Original Part Numbers		RoHs part numbers (all connectors are with tinned shells)	What has changed to be RoHs	To be changed to be RoHs
17H2442135	L	L17H2442135		
17H2442137	L	L17H2442137		
17H2550120	L	L17H2550120		
17H2550121	L	L17H2550121		
17H2550124	L	L17H2550124		
17H2550125	L	L17H2550125		
17H2550127	L	L17H2550127		
17H2550130	L	L17H2550130		
17H2550131	L	L17H2550131		
17H2550134	L	L17H2550134		
17H2550135	L	L17H2550135		
17H2550137	L	L17H2550137		
17H2551120	L	L17H2551120		
17H2551121	L	L17H2551121		
17H2551124	L	L17H2551124		
17H2551125	L	L17H2551125		
17H2551127	L	L17H2551127		
17H2551130	L	L17H2551130		
17H2551131	L	L17H2551131		
17H2551134	L	L17H2551134		
17H2551135	L	L17H2551135		
17H2551137	L	L17H2551137		
17H2552120	L	L17H2552120		
17H2552121	L	L17H2552121		
17H2552124	L	L17H2552124		
17H2552125	L	L17H2552125		
17H2552127	L	L17H2552127		
17H2552130	L	L17H2552130		
17H2552131	L	L17H2552131		
17H2552134	L	L17H2552134		
17H2552135	L	L17H2552135		
17H2552137	L	L17H2552137		
17H2560120	L	L17H2560120		

ASF "own" and original PN's not RoHs		Compliant RoHs PN's WITH or WHITHOUT " L " →to be ordered with " L "		
		Compliant PN's since the 1st of July 2005 →to be ordered with " L "		
		PN's not RoHs, to be ordered WITHOUT the " L " untill new information		
Original Part Numbers		RoHs part numbers (all connectors are with tinned shells)	What has changed to be RoHs	To be changed to be RoHs
17H2560121	L	L17H2560121		
17H2560124	L	L17H2560124		
17H2560125	L	L17H2560125		
17H2560127	L	L17H2560127		
17H2560130	L	L17H2560130		
17H2560131	L	L17H2560131		
17H2560134	L	L17H2560134		
17H2560135	L	L17H2560135		
17H2560137	L	L17H2560137		
17H2561120	L	L17H2561120		
17H2561121	L	L17H2561121		
17H2561124	L	L17H2561124		
17H2561125	L	L17H2561125		
17H2561127	L	L17H2561127		
17H2561130	L	L17H2561130		
17H2561131	L	L17H2561131		
17H2561134	L	L17H2561134		
17H2561135	L	L17H2561135		
17H2561137	L	L17H2561137		
17H2562120	L	L17H2562120		
17H2562121	L	L17H2562121		
17H2562124	L	L17H2562124		
17H2562125	L	L17H2562125		
17H2562127	L	L17H2562127		
17H2562130	L	L17H2562130		
17H2562131	L	L17H2562131		
17H2562134	L	L17H2562134		
17H2562135	L	L17H2562135		
17H2562137	L	L17H2562137		
17H2650120	L	L17H2650120		
17H2650121	L	L17H2650121		
17H2650124	L	L17H2650124		
17H2650125	L	L17H2650125		

ASF "own" and original PN's not RoHs		Compliant RoHs PN's WITH or WHITHOUT " L " to be ordered with " L "		
		Compliant PN's since the 1st of July 2005 to be ordered with " L "		
		PN's not RoHs, to be ordered WITHOUT the " L " untill new information		
Original Part Numbers		RoHs part numbers (all connectors are with tinned shells)	What has changed to be RoHs	To be changed to be RoHs
17H2650127	L	L17H2650127		
17H2650130	L	L17H2650130		
17H2650131	L	L17H2650131		
17H2650134	L	L17H2650134		
17H2650135	L	L17H2650135		
17H2650137	L	L17H2650137		
17H2651120	L	L17H2651120		
17H2651121	L	L17H2651121		
17H2651124	L	L17H2651124		
17H2651125	L	L17H2651125		
17H2651127	L	L17H2651127		
17H2651130	L	L17H2651130		
17H2651131	L	L17H2651131		
17H2651134	L	L17H2651134		
17H2651135	L	L17H2651135		
17H2651137	L	L17H2651137		
17H2652120	L	L17H2652120		
17H2652121	L	L17H2652121		
17H2652124	L	L17H2652124		
17H2652125	L	L17H2652125		
17H2652127	L	L17H2652127		
17H2652130	L	L17H2652130		
17H2652131	L	L17H2652131		
17H2652134	L	L17H2652134		
17H2652135	L	L17H2652135		
17H2652137	L	L17H2652137		
17H2660120	L	L17H2660120		
17H2660121	L	L17H2660121		
17H2660124	L	L17H2660124		
17H2660125	L	L17H2660125		
17H2660127	L	L17H2660127		
17H2660130	L	L17H2660130		
17H2660131	L	L17H2660131		

ASF "own" and original PN's not RoHs		Compliant RoHs PN's WITH or WHITHOUT " L " to be ordered with " L "		
		Compliant PN's since the 1st of July 2005 to be ordered with " L "		
		PN's not RoHs, to be ordered WITHOUT the " L " untill new information		
Original Part Numbers		RoHs part numbers (all connectors are with tinned shells)	What has changed to be RoHs	To be changed to be RoHs
17H2660134	L	L17H2660134		
17H2660135	L	L17H2660135		
17H2660137	L	L17H2660137		
17H2661120	L	L17H2661120		
17H2661121	L	L17H2661121		
17H2661124	L	L17H2661124		
17H2661125	L	L17H2661125		
17H2661127	L	L17H2661127		
17H2661130	L	L17H2661130		
17H2661131	L	L17H2661131		
17H2661134	L	L17H2661134		
17H2661135	L	L17H2661135		
17H2661137	L	L17H2661137		
17H2662120	L	L17H2662120		
17H2662121	L	L17H2662121		
17H2662124	L	L17H2662124		
17H2662125	L	L17H2662125		
17H2662127	L	L17H2662127		
17H2662130	L	L17H2662130		
17H2662131	L	L17H2662131		
17H2662134	L	L17H2662134		
17H2662135	L	L17H2662135		
17H2662137	L	L17H2662137		
17H2770120	L	L17H2770120		
17H2770121	L	L17H2770121		
17H2770124	L	L17H2770124		
17H2770125	L	L17H2770125		
17H2770127	L	L17H2770127		
17H2770130	L	L17H2770130		
17H2770131	L	L17H2770131		
17H2770134	L	L17H2770134		
17H2770135	L	L17H2770135		
17H2770137	L	L17H2770137		

ASF "own" and original
PN's not RoHs

Compliant RoHs PN's WITH or WHITHOUT " L " →to be ordered with " L "

Compliant PN's since the 1st of July 2005 →to be ordered with " L "

PN's not RoHs, to be ordered WITHOUT the " L " untill new information

Original Part Numbers		RoHs part numbers (all connectors are with tinned shells)	What has changed to be RoHs	To be changed to be RoHs
17H2771120	L	L17H2771120		
17H2771121	L	L17H2771121		
17H2771124	L	L17H2771124		
17H2771125	L	L17H2771125		
17H2771127	L	L17H2771127		
17H2771130	L	L17H2771130		
17H2771131	L	L17H2771131		
17H2771134	L	L17H2771134		
17H2771135	L	L17H2771135		
17H2771137	L	L17H2771137		
17H2772120	L	L17H2772120		
17H2772121	L	L17H2772121		
17H2772124	L	L17H2772124		
17H2772125	L	L17H2772125		
17H2772127	L	L17H2772127		
17H2772130	L	L17H2772130		
17H2772131	L	L17H2772131		
17H2772134	L	L17H2772134		
17H2772135	L	L17H2772135		
17H2772137	L	L17H2772137		
17H2DD0120	L	L17H2DD0120		
17H2DD0121	L	L17H2DD0121		
17H2DD0124	L	L17H2DD0124		
17H2DD0125	L	L17H2DD0125		
17H2DD0127	L	L17H2DD0127		
17H2DD0130	L	L17H2DD0130		
17H2DD0131	L	L17H2DD0131		
17H2DD0134	L	L17H2DD0134		
17H2DD0135	L	L17H2DD0135		
17H2DD0137	L	L17H2DD0137		
17H2DD1120	L	L17H2DD1120		
17H2DD1121	L	L17H2DD1121		
17H2DD1124	L	L17H2DD1124		

ASF "own" and original PN's not RoHs		Compliant RoHs PN's WITH or WHITHOUT " L " to be ordered with " L "		
		Compliant PN's since the 1st of July 2005 to be ordered with " L "		
		PN's not RoHs, to be ordered WITHOUT the " L " untill new information		
Original Part Numbers		RoHs part numbers (all connectors are with tinned shells)	What has changed to be RoHs	To be changed to be RoHs
17H2DD1125	L	L17H2DD1125		
17H2DD1127	L	L17H2DD1127		
17H2DD1130	L	L17H2DD1130		
17H2DD1131	L	L17H2DD1131		
17H2DD1134	L	L17H2DD1134		
17H2DD1135	L	L17H2DD1135		
17H2DD1137	L	L17H2DD1137		
17H2DD2120	L	L17H2DD2120		
17H2DD2121	L	L17H2DD2121		
17H2DD2124	L	L17H2DD2124		
17H2DD2125	L	L17H2DD2125		
17H2DD2127	L	L17H2DD2127		
17H2DD2130	L	L17H2DD2130		
17H2DD2131	L	L17H2DD2131		
17H2DD2134	L	L17H2DD2134		
17H2DD2135	L	L17H2DD2135		
17H2DD2137	L	L17H2DD2137		
17H2DE0120	L	L17H2DE0120		
17H2DE0121	L	L17H2DE0121		
17H2DE0124	L	L17H2DE0124		
17H2DE0125	L	L17H2DE0125		
17H2DE0127	L	L17H2DE0127		
17H2DE0130	L	L17H2DE0130		
17H2DE0131	L	L17H2DE0131		
17H2DE0134	L	L17H2DE0134		
17H2DE0135	L	L17H2DE0135		
17H2DE0137	L	L17H2DE0137		
17H2DE1120	L	L17H2DE1120		
17H2DE1121	L	L17H2DE1121		
17H2DE1124	L	L17H2DE1124		
17H2DE1125	L	L17H2DE1125		
17H2DE1127	L	L17H2DE1127		
17H2DE1130	L	L17H2DE1130		

ASF "own" and original PN's not RoHs		Compliant RoHs PN's WITH or WHITHOUT " L " →to be ordered with " L "		
		Compliant PN's since the 1st of July 2005 →to be ordered with " L "		
		PN's not RoHs, to be ordered WITHOUT the " L " untill new information		
Original Part Numbers		RoHs part numbers (all connectors are with tinned shells)	What has changed to be RoHs	To be changed to be RoHs
17H2DE1131	L	L17H2DE1131		
17H2DE1134	L	L17H2DE1134		
17H2DE1135	L	L17H2DE1135		
17H2DE1137	L	L17H2DE1137		
17H2DE2120	L	L17H2DE2120		
17H2DE2121	L	L17H2DE2121		
17H2DE2124	L	L17H2DE2124		
17H2DE2125	L	L17H2DE2125		
17H2DE2127	L	L17H2DE2127		
17H2DE2130	L	L17H2DE2130		
17H2DE2131	L	L17H2DE2131		
17H2DE2134	L	L17H2DE2134		
17H2DE2135	L	L17H2DE2135		
17H2DE2137	L	L17H2DE2137		
17H2ED0120	L	L17H2ED0120		
17H2ED0121	L	L17H2ED0121		
17H2ED0124	L	L17H2ED0124		
17H2ED0125	L	L17H2ED0125		
17H2ED0127	L	L17H2ED0127		
17H2ED0130	L	L17H2ED0130		
17H2ED0131	L	L17H2ED0131		
17H2ED0134	L	L17H2ED0134		
17H2ED0135	L	L17H2ED0135		
17H2ED0137	L	L17H2ED0137		
17H2ED1120	L	L17H2ED1120		
17H2ED1121	L	L17H2ED1121		
17H2ED1124	L	L17H2ED1124		
17H2ED1125	L	L17H2ED1125		
17H2ED1127	L	L17H2ED1127		
17H2ED1130	L	L17H2ED1130		
17H2ED1131	L	L17H2ED1131		
17H2ED1134	L	L17H2ED1134		
17H2ED1135	L	L17H2ED1135		

ASF "own" and original
PN's not RoHs

Compliant RoHs PN's WITH or WHITHOUT " L " ~~to~~ be ordered with " L "

Compliant PN's since the 1st of July 2005 ~~to~~ be ordered with " L "

PN's not RoHs, to be ordered WITHOUT the " L " untill new information

Original Part Numbers		RoHs part numbers (all connectors are with tinned shells)	What has changed to be RoHs	To be changed to be RoHs
17H2ED1137	L	L17H2ED1137		
17H2ED2120	L	L17H2ED2120		
17H2ED2121	L	L17H2ED2121		
17H2ED2124	L	L17H2ED2124		
17H2ED2125	L	L17H2ED2125		
17H2ED2127	L	L17H2ED2127		
17H2ED2130	L	L17H2ED2130		
17H2ED2131	L	L17H2ED2131		
17H2ED2134	L	L17H2ED2134		
17H2ED2135	L	L17H2ED2135		
17H2ED2137	L	L17H2ED2137		
17H2EE0120	L	L17H2EE0120		
17H2EE0121	L	L17H2EE0121		
17H2EE0124	L	L17H2EE0124		
17H2EE0125	L	L17H2EE0125		
17H2EE0127	L	L17H2EE0127		
17H2EE0130	L	L17H2EE0130		
17H2EE0131	L	L17H2EE0131		
17H2EE0134	L	L17H2EE0134		
17H2EE0135	L	L17H2EE0135		
17H2EE0137	L	L17H2EE0137		
17H2EE1120	L	L17H2EE1120		
17H2EE1121	L	L17H2EE1121		
17H2EE1124	L	L17H2EE1124		
17H2EE1125	L	L17H2EE1125		
17H2EE1127	L	L17H2EE1127		
17H2EE1130	L	L17H2EE1130		
17H2EE1131	L	L17H2EE1131		
17H2EE1134	L	L17H2EE1134		
17H2EE1135	L	L17H2EE1135		
17H2EE1137	L	L17H2EE1137		
17H2EE2120	L	L17H2EE2120		
17H2EE2121	L	L17H2EE2121		

ASF "own" and original PN's not RoHs		Compliant RoHs PN's WITH or WHITHOUT " L " →to be ordered with " L "		
		Compliant PN's since the 1st of July 2005 →to be ordered with " L "		
		PN's not RoHs, to be ordered WITHOUT the " L " untill new information		
Original Part Numbers		RoHs part numbers (all connectors are with tinned shells)	What has changed to be RoHs	To be changed to be RoHs
17H2EE2124	L	L17H2EE2124		
17H2EE2125	L	L17H2EE2125		
17H2EE2127	L	L17H2EE2127		
17H2EE2130	L	L17H2EE2130		
17H2EE2131	L	L17H2EE2131		
17H2EE2134	L	L17H2EE2134		
17H2EE2135	L	L17H2EE2135		
17H2EE2137	L	L17H2EE2137		
17H3110120	L	L17H3110120		
17H3110121	L	L17H3110121		
17H3110124	L	L17H3110124		
17H3110125	L	L17H3110125		
17H3110127	L	L17H3110127		
17H3110130	L	L17H3110130		
17H3110131	L	L17H3110131		
17H3110134	L	L17H3110134		
17H3110135	L	L17H3110135		
17H3110137	L	L17H3110137		
17H3111120	L	L17H3111120		
17H3111121	L	L17H3111121		
17H3111124	L	L17H3111124		
17H3111125	L	L17H3111125		
17H3111127	L	L17H3111127		
17H3111130	L	L17H3111130		
17H3111131	L	L17H3111131		
17H3111134	L	L17H3111134		
17H3111135	L	L17H3111135		
17H3111137	L	L17H3111137		
17H3112120	L	L17H3112120		
17H3112121	L	L17H3112121		
17H3112124	L	L17H3112124		
17H3112125	L	L17H3112125		
17H3112127	L	L17H3112127		

ASF "own" and original PN's not RoHs		Compliant RoHs PN's WITH or WHITHOUT " L " to be ordered with " L "		
		Compliant PN's since the 1st of July 2005 to be ordered with " L "		
		PN's not RoHs, to be ordered WITHOUT the " L " untill new information		
Original Part Numbers		RoHs part numbers (all connectors are with tinned shells)	What has changed to be RoHs	To be changed to be RoHs
17H3112130	L	L17H3112130		
17H3112131	L	L17H3112131		
17H3112134	L	L17H3112134		
17H3112135	L	L17H3112135		
17H3112137	L	L17H3112137		
17H3120120	L	L17H3120120		
17H3120121	L	L17H3120121		
17H3120124	L	L17H3120124		
17H3120125	L	L17H3120125		
17H3120127	L	L17H3120127		
17H3121120	L	L17H3121120		
17H3121121	L	L17H3121121		
17H3121124	L	L17H3121124		
17H3121125	L	L17H3121125		
17H3121127	L	L17H3121127		
17H3122120	L	L17H3122120		
17H3122121	L	L17H3122121		
17H3122124	L	L17H3122124		
17H3122125	L	L17H3122125		
17H3122127	L	L17H3122127		
17H3130130	L	L17H3130130		
17H3130131	L	L17H3130131		
17H3130134	L	L17H3130134		
17H3130135	L	L17H3130135		
17H3130137	L	L17H3130137		
17H3131130	L	L17H3131130		
17H3131131	L	L17H3131131		
17H3131134	L	L17H3131134		
17H3131135	L	L17H3131135		
17H3131137	L	L17H3131137		
17H3132130	L	L17H3132130		
17H3132131	L	L17H3132131		
17H3132134	L	L17H3132134		

ASF "own" and original PN's not RoHs		Compliant RoHs PN's WITH or WHITHOUT " L " to be ordered with " L "		
		Compliant PN's since the 1st of July 2005 to be ordered with " L "		
		PN's not RoHs, to be ordered WITHOUT the " L " untill new information		
Original Part Numbers		RoHs part numbers (all connectors are with tinned shells)	What has changed to be RoHs	To be changed to be RoHs
17H3132135	L	L17H3132135		
17H3132137	L	L17H3132137		
17H3210120	L	L17H3210120		
17H3210121	L	L17H3210121		
17H3210124	L	L17H3210124		
17H3210125	L	L17H3210125		
17H3210127	L	L17H3210127		
17H3210130	L	L17H3210130		
17H3210131	L	L17H3210131		
17H3210134	L	L17H3210134		
17H3210135	L	L17H3210135		
17H3210137	L	L17H3210137		
17H3211120	L	L17H3211120		
17H3211121	L	L17H3211121		
17H3211124	L	L17H3211124		
17H3211125	L	L17H3211125		
17H3211127	L	L17H3211127		
17H3211130	L	L17H3211130		
17H3211131	L	L17H3211131		
17H3211134	L	L17H3211134		
17H3211135	L	L17H3211135		
17H3211137	L	L17H3211137		
17H3212120	L	L17H3212120		
17H3212121	L	L17H3212121		
17H3212124	L	L17H3212124		
17H3212125	L	L17H3212125		
17H3212127	L	L17H3212127		
17H3212130	L	L17H3212130		
17H3212131	L	L17H3212131		
17H3212134	L	L17H3212134		
17H3212135	L	L17H3212135		
17H3212137	L	L17H3212137		
17H3220120	L	L17H3220120		

ASF "own" and original
PN's not RoHs

Compliant RoHs PN's WITH or WHITHOUT " L " ~~to~~ be ordered with " L "

Compliant PN's since the 1st of July 2005 ~~to~~ be ordered with " L "

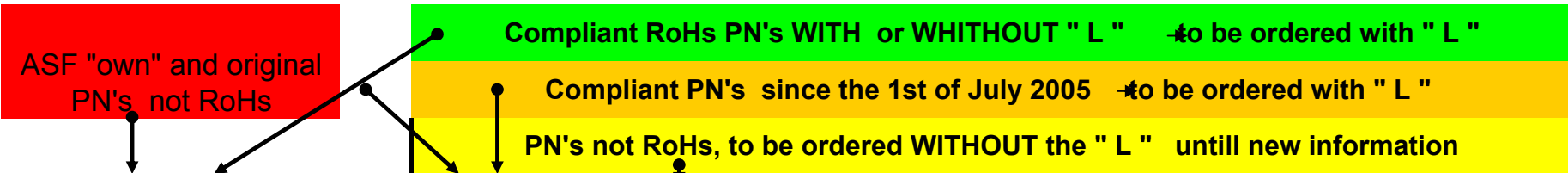
PN's not RoHs, to be ordered WITHOUT the " L " untill new information

Original Part Numbers		RoHs part numbers (all connectors are with tinned shells)	What has changed to be RoHs	To be changed to be RoHs
17H3220121	L	L17H3220121		
17H3220124	L	L17H3220124		
17H3220125	L	L17H3220125		
17H3220127	L	L17H3220127		
17H3220130	L	L17H3220130		
17H3220131	L	L17H3220131		
17H3220134	L	L17H3220134		
17H3220135	L	L17H3220135		
17H3220137	L	L17H3220137		
17H3221120	L	L17H3221120		
17H3221121	L	L17H3221121		
17H3221124	L	L17H3221124		
17H3221125	L	L17H3221125		
17H3221127	L	L17H3221127		
17H3221130	L	L17H3221130		
17H3221131	L	L17H3221131		
17H3221134	L	L17H3221134		
17H3221135	L	L17H3221135		
17H3221137	L	L17H3221137		
17H3222120	L	L17H3222120		
17H3222121	L	L17H3222121		
17H3222124	L	L17H3222124		
17H3222125	L	L17H3222125		
17H3222127	L	L17H3222127		
17H3222130	L	L17H3222130		
17H3222131	L	L17H3222131		
17H3222134	L	L17H3222134		
17H3222135	L	L17H3222135		
17H3222137	L	L17H3222137		
17H3330120	L	L17H3330120		
17H3330121	L	L17H3330121		
17H3330124	L	L17H3330124		
17H3330125	L	L17H3330125		

ASF "own" and original PN's not RoHs		Compliant RoHs PN's WITH or WHITHOUT " L " to be ordered with " L "		
		Compliant PN's since the 1st of July 2005 to be ordered with " L "		
		PN's not RoHs, to be ordered WITHOUT the " L " untill new information		
Original Part Numbers		RoHs part numbers (all connectors are with tinned shells)	What has changed to be RoHs	To be changed to be RoHs
17H3330127	L	L17H3330127		
17H3330130	L	L17H3330130		
17H3330131	L	L17H3330131		
17H3330134	L	L17H3330134		
17H3330135	L	L17H3330135		
17H3330137	L	L17H3330137		
17H3331120	L	L17H3331120		
17H3331121	L	L17H3331121		
17H3331124	L	L17H3331124		
17H3331125	L	L17H3331125		
17H3331127	L	L17H3331127		
17H3331130	L	L17H3331130		
17H3331131	L	L17H3331131		
17H3331134	L	L17H3331134		
17H3331135	L	L17H3331135		
17H3331137	L	L17H3331137		
17H3332120	L	L17H3332120		
17H3332121	L	L17H3332121		
17H3332124	L	L17H3332124		
17H3332125	L	L17H3332125		
17H3332127	L	L17H3332127		
17H3332130	L	L17H3332130		
17H3332131	L	L17H3332131		
17H3332134	L	L17H3332134		
17H3332135	L	L17H3332135		
17H3332137	L	L17H3332137		
17H3340120	L	L17H3340120		
17H3340121	L	L17H3340121		
17H3340124	L	L17H3340124		
17H3340125	L	L17H3340125		
17H3340127	L	L17H3340127		
17H3340130	L	L17H3340130		
17H3340131	L	L17H3340131		

ASF "own" and original PN's not RoHs		Compliant RoHs PN's WITH or WHITHOUT " L " to be ordered with " L "		
		Compliant PN's since the 1st of July 2005 to be ordered with " L "		
		PN's not RoHs, to be ordered WITHOUT the " L " untill new information		
Original Part Numbers		RoHs part numbers (all connectors are with tinned shells)	What has changed to be RoHs	To be changed to be RoHs
17H3340134	L	L17H3340134		
17H3340135	L	L17H3340135		
17H3340137	L	L17H3340137		
17H3341120	L	L17H3341120		
17H3341121	L	L17H3341121		
17H3341124	L	L17H3341124		
17H3341125	L	L17H3341125		
17H3341127	L	L17H3341127		
17H3341130	L	L17H3341130		
17H3341131	L	L17H3341131		
17H3341134	L	L17H3341134		
17H3341135	L	L17H3341135		
17H3341137	L	L17H3341137		
17H3342120	L	L17H3342120		
17H3342121	L	L17H3342121		
17H3342124	L	L17H3342124		
17H3342125	L	L17H3342125		
17H3342127	L	L17H3342127		
17H3342130	L	L17H3342130		
17H3342131	L	L17H3342131		
17H3342134	L	L17H3342134		
17H3342135	L	L17H3342135		
17H3342137	L	L17H3342137		
17H3430120	L	L17H3430120		
17H3430121	L	L17H3430121		
17H3430124	L	L17H3430124		
17H3430125	L	L17H3430125		
17H3430127	L	L17H3430127		
17H3430130	L	L17H3430130		
17H3430131	L	L17H3430131		
17H3430134	L	L17H3430134		
17H3430135	L	L17H3430135		
17H3430137	L	L17H3430137		

ASF "own" and original PN's not RoHs		Compliant RoHs PN's WITH or WHITHOUT " L " to be ordered with " L "		
		Compliant PN's since the 1st of July 2005 to be ordered with " L "		
		PN's not RoHs, to be ordered WITHOUT the " L " untill new information		
Original Part Numbers		RoHs part numbers (all connectors are with tinned shells)	What has changed to be RoHs	To be changed to be RoHs
17H3431120	L	L17H3431120		
17H3431121	L	L17H3431121		
17H3431124	L	L17H3431124		
17H3431125	L	L17H3431125		
17H3431127	L	L17H3431127		
17H3431130	L	L17H3431130		
17H3431131	L	L17H3431131		
17H3431134	L	L17H3431134		
17H3431135	L	L17H3431135		
17H3431137	L	L17H3431137		
17H3432120	L	L17H3432120		
17H3432121	L	L17H3432121		
17H3432124	L	L17H3432124		
17H3432125	L	L17H3432125		
17H3432127	L	L17H3432127		
17H3432130	L	L17H3432130		
17H3432131	L	L17H3432131		
17H3432134	L	L17H3432134		
17H3432135	L	L17H3432135		
17H3432137	L	L17H3432137		
17H3440120	L	L17H3440120		
17H3440121	L	L17H3440121		
17H3440124	L	L17H3440124		
17H3440125	L	L17H3440125		
17H3440127	L	L17H3440127		
17H3440130	L	L17H3440130		
17H3440131	L	L17H3440131		
17H3440134	L	L17H3440134		
17H3440135	L	L17H3440135		
17H3440137	L	L17H3440137		
17H3441120	L	L17H3441120		
17H3441121	L	L17H3441121		
17H3441124	L	L17H3441124		



Original Part Numbers		RoHs part numbers (all connectors are with tinned shells)	What has changed to be RoHs	To be changed to be RoHs
17H3441125	L	L17H3441125		
17H3441127	L	L17H3441127		
17H3441130	L	L17H3441130		
17H3441131	L	L17H3441131		
17H3441134	L	L17H3441134		
17H3441135	L	L17H3441135		
17H3441137	L	L17H3441137		
17H3442120	L	L17H3442120		
17H3442121	L	L17H3442121		
17H3442124	L	L17H3442124		
17H3442125	L	L17H3442125		
17H3442127	L	L17H3442127		
17H3442130	L	L17H3442130		
17H3442131	L	L17H3442131		
17H3442134	L	L17H3442134		
17H3442135	L	L17H3442135		
17H3442137	L	L17H3442137		
17H3550120	L	L17H3550120		
17H3550121	L	L17H3550121		
17H3550124	L	L17H3550124		
17H3550125	L	L17H3550125		
17H3550127	L	L17H3550127		
17H3550130	L	L17H3550130		
17H3550131	L	L17H3550131		
17H3550134	L	L17H3550134		
17H3550135	L	L17H3550135		
17H3550137	L	L17H3550137		
17H3551120	L	L17H3551120		
17H3551121	L	L17H3551121		
17H3551124	L	L17H3551124		
17H3551125	L	L17H3551125		
17H3551127	L	L17H3551127		
17H3551130	L	L17H3551130		

ASF "own" and original PN's not RoHs		Compliant RoHs PN's WITH or WHITHOUT " L " to be ordered with " L "		
		Compliant PN's since the 1st of July 2005 to be ordered with " L "		
		PN's not RoHs, to be ordered WITHOUT the " L " untill new information		
Original Part Numbers		RoHs part numbers (all connectors are with tinned shells)	What has changed to be RoHs	To be changed to be RoHs
17H3551131	L	L17H3551131		
17H3551134	L	L17H3551134		
17H3551135	L	L17H3551135		
17H3551137	L	L17H3551137		
17H3552120	L	L17H3552120		
17H3552121	L	L17H3552121		
17H3552124	L	L17H3552124		
17H3552125	L	L17H3552125		
17H3552127	L	L17H3552127		
17H3552130	L	L17H3552130		
17H3552131	L	L17H3552131		
17H3552134	L	L17H3552134		
17H3552135	L	L17H3552135		
17H3552137	L	L17H3552137		
17H3560120	L	L17H3560120		
17H3560121	L	L17H3560121		
17H3560124	L	L17H3560124		
17H3560125	L	L17H3560125		
17H3560127	L	L17H3560127		
17H3560130	L	L17H3560130		
17H3560131	L	L17H3560131		
17H3560134	L	L17H3560134		
17H3560135	L	L17H3560135		
17H3560137	L	L17H3560137		
17H3561120	L	L17H3561120		
17H3561121	L	L17H3561121		
17H3561124	L	L17H3561124		
17H3561125	L	L17H3561125		
17H3561127	L	L17H3561127		
17H3561130	L	L17H3561130		
17H3561131	L	L17H3561131		
17H3561134	L	L17H3561134		
17H3561135	L	L17H3561135		

ASF "own" and original PN's not RoHs		Compliant RoHs PN's WITH or WHITHOUT " L " to be ordered with " L "		
		Compliant PN's since the 1st of July 2005 to be ordered with " L "		
		PN's not RoHs, to be ordered WITHOUT the " L " untill new information		
Original Part Numbers		RoHs part numbers (all connectors are with tinned shells)	What has changed to be RoHs	To be changed to be RoHs
17H3561137	L	L17H3561137		
17H3562120	L	L17H3562120		
17H3562121	L	L17H3562121		
17H3562124	L	L17H3562124		
17H3562125	L	L17H3562125		
17H3562127	L	L17H3562127		
17H3562130	L	L17H3562130		
17H3562131	L	L17H3562131		
17H3562134	L	L17H3562134		
17H3562135	L	L17H3562135		
17H3562137	L	L17H3562137		
17H3650120	L	L17H3650120		
17H3650121	L	L17H3650121		
17H3650124	L	L17H3650124		
17H3650125	L	L17H3650125		
17H3650127	L	L17H3650127		
17H3650130	L	L17H3650130		
17H3650131	L	L17H3650131		
17H3650134	L	L17H3650134		
17H3650135	L	L17H3650135		
17H3650137	L	L17H3650137		
17H3651120	L	L17H3651120		
17H3651121	L	L17H3651121		
17H3651124	L	L17H3651124		
17H3651125	L	L17H3651125		
17H3651127	L	L17H3651127		
17H3651130	L	L17H3651130		
17H3651131	L	L17H3651131		
17H3651134	L	L17H3651134		
17H3651135	L	L17H3651135		
17H3651137	L	L17H3651137		
17H3652120	L	L17H3652120		
17H3652121	L	L17H3652121		

ASF "own" and original PN's not RoHs		Compliant RoHs PN's WITH or WHITHOUT " L " to be ordered with " L "		
		Compliant PN's since the 1st of July 2005 to be ordered with " L "		
		PN's not RoHs, to be ordered WITHOUT the " L " untill new information		
Original Part Numbers		RoHs part numbers (all connectors are with tinned shells)	What has changed to be RoHs	To be changed to be RoHs
17H3652124	L	L17H3652124		
17H3652125	L	L17H3652125		
17H3652127	L	L17H3652127		
17H3652130	L	L17H3652130		
17H3652131	L	L17H3652131		
17H3652134	L	L17H3652134		
17H3652135	L	L17H3652135		
17H3652137	L	L17H3652137		
17H3653121	L	L17H3653121		
17H3660120	L	L17H3660120		
17H3660121	L	L17H3660121		
17H3660124	L	L17H3660124		
17H3660125	L	L17H3660125		
17H3660127	L	L17H3660127		
17H3660130	L	L17H3660130		
17H3660131	L	L17H3660131		
17H3660134	L	L17H3660134		
17H3660135	L	L17H3660135		
17H3660137	L	L17H3660137		
17H3661120	L	L17H3661120		
17H3661121	L	L17H3661121		
17H3661124	L	L17H3661124		
17H3661125	L	L17H3661125		
17H3661127	L	L17H3661127		
17H3661130	L	L17H3661130		
17H3661131	L	L17H3661131		
17H3661134	L	L17H3661134		
17H3661135	L	L17H3661135		
17H3661137	L	L17H3661137		
17H3662120	L	L17H3662120		
17H3662121	L	L17H3662121		
17H3662124	L	L17H3662124		
17H3662125	L	L17H3662125		

ASF "own" and original PN's not RoHs		Compliant RoHs PN's WITH or WHITHOUT " L " to be ordered with " L "		
		Compliant PN's since the 1st of July 2005 to be ordered with " L "		
		PN's not RoHs, to be ordered WITHOUT the " L " untill new information		
Original Part Numbers		RoHs part numbers (all connectors are with tinned shells)	What has changed to be RoHs	To be changed to be RoHs
17H3662127	L	L17H3662127		
17H3662130	L	L17H3662130		
17H3662131	L	L17H3662131		
17H3662134	L	L17H3662134		
17H3662135	L	L17H3662135		
17H3662137	L	L17H3662137		
17H3770120	L	L17H3770120		
17H3770121	L	L17H3770121		
17H3770124	L	L17H3770124		
17H3770125	L	L17H3770125		
17H3770127	L	L17H3770127		
17H3770130	L	L17H3770130		
17H3770131	L	L17H3770131		
17H3770134	L	L17H3770134		
17H3770135	L	L17H3770135		
17H3770137	L	L17H3770137		
17H3771120	L	L17H3771120		
17H3771121	L	L17H3771121		
17H3771124	L	L17H3771124		
17H3771125	L	L17H3771125		
17H3771127	L	L17H3771127		
17H3771130	L	L17H3771130		
17H3771131	L	L17H3771131		
17H3771134	L	L17H3771134		
17H3771135	L	L17H3771135		
17H3771137	L	L17H3771137		
17H3772120	L	L17H3772120		
17H3772121	L	L17H3772121		
17H3772124	L	L17H3772124		
17H3772125	L	L17H3772125		
17H3772127	L	L17H3772127		
17H3772130	L	L17H3772130		
17H3772131	L	L17H3772131		

ASF "own" and original
PN's not RoHs

Compliant RoHs PN's WITH or WHITHOUT " L " ~~to~~ be ordered with " L "

Compliant PN's since the 1st of July 2005 ~~to~~ be ordered with " L "

PN's not RoHs, to be ordered WITHOUT the " L " untill new information

Original Part Numbers		RoHs part numbers (all connectors are with tinned shells)	What has changed to be RoHs	To be changed to be RoHs
17H3772134	L	L17H3772134		
17H3772135	L	L17H3772135		
17H3772137	L	L17H3772137		
17H3DD0120	L	L17H3DD0120		
17H3DD0121	L	L17H3DD0121		
17H3DD0124	L	L17H3DD0124		
17H3DD0125	L	L17H3DD0125		
17H3DD0127	L	L17H3DD0127		
17H3DD0130	L	L17H3DD0130		
17H3DD0131	L	L17H3DD0131		
17H3DD0134	L	L17H3DD0134		
17H3DD0135	L	L17H3DD0135		
17H3DD0137	L	L17H3DD0137		
17H3DD1120	L	L17H3DD1120		
17H3DD1121	L	L17H3DD1121		
17H3DD1124	L	L17H3DD1124		
17H3DD1125	L	L17H3DD1125		
17H3DD1127	L	L17H3DD1127		
17H3DD1130	L	L17H3DD1130		
17H3DD1131	L	L17H3DD1131		
17H3DD1134	L	L17H3DD1134		
17H3DD1135	L	L17H3DD1135		
17H3DD1137	L	L17H3DD1137		
17H3DD2120	L	L17H3DD2120		
17H3DD2121	L	L17H3DD2121		
17H3DD2124	L	L17H3DD2124		
17H3DD2125	L	L17H3DD2125		
17H3DD2127	L	L17H3DD2127		
17H3DD2130	L	L17H3DD2130		
17H3DD2131	L	L17H3DD2131		
17H3DD2134	L	L17H3DD2134		
17H3DD2135	L	L17H3DD2135		
17H3DD2137	L	L17H3DD2137		

ASF "own" and original
PN's not RoHs

Compliant RoHs PN's WITH or WHITHOUT " L " ~~to~~ be ordered with " L "

Compliant PN's since the 1st of July 2005 ~~to~~ be ordered with " L "

PN's not RoHs, to be ordered WITHOUT the " L " untill new information

Original Part Numbers		RoHs part numbers (all connectors are with tinned shells)	What has changed to be RoHs	To be changed to be RoHs
17H3DE0120	L	L17H3DE0120		
17H3DE0121	L	L17H3DE0121		
17H3DE0124	L	L17H3DE0124		
17H3DE0125	L	L17H3DE0125		
17H3DE0127	L	L17H3DE0127		
17H3DE0130	L	L17H3DE0130		
17H3DE0131	L	L17H3DE0131		
17H3DE0134	L	L17H3DE0134		
17H3DE0135	L	L17H3DE0135		
17H3DE0137	L	L17H3DE0137		
17H3DE1120	L	L17H3DE1120		
17H3DE1121	L	L17H3DE1121		
17H3DE1124	L	L17H3DE1124		
17H3DE1125	L	L17H3DE1125		
17H3DE1127	L	L17H3DE1127		
17H3DE1130	L	L17H3DE1130		
17H3DE1131	L	L17H3DE1131		
17H3DE1134	L	L17H3DE1134		
17H3DE1135	L	L17H3DE1135		
17H3DE1137	L	L17H3DE1137		
17H3DE2120	L	L17H3DE2120		
17H3DE2121	L	L17H3DE2121		
17H3DE2124	L	L17H3DE2124		
17H3DE2125	L	L17H3DE2125		
17H3DE2127	L	L17H3DE2127		
17H3DE2130	L	L17H3DE2130		
17H3DE2131	L	L17H3DE2131		
17H3DE2134	L	L17H3DE2134		
17H3DE2135	L	L17H3DE2135		
17H3DE2137	L	L17H3DE2137		
17H3ED0120	L	L17H3ED0120		
17H3ED0121	L	L17H3ED0121		
17H3ED0124	L	L17H3ED0124		

ASF "own" and original PN's not RoHs		Compliant RoHs PN's WITH or WHITHOUT " L " to be ordered with " L "		
		Compliant PN's since the 1st of July 2005 to be ordered with " L "		
		PN's not RoHs, to be ordered WITHOUT the " L " untill new information		
Original Part Numbers		RoHs part numbers (all connectors are with tinned shells)	What has changed to be RoHs	To be changed to be RoHs
17H3ED0125	L	L17H3ED0125		
17H3ED0127	L	L17H3ED0127		
17H3ED0130	L	L17H3ED0130		
17H3ED0131	L	L17H3ED0131		
17H3ED0134	L	L17H3ED0134		
17H3ED0135	L	L17H3ED0135		
17H3ED0137	L	L17H3ED0137		
17H3ED1120	L	L17H3ED1120		
17H3ED1121	L	L17H3ED1121		
17H3ED1124	L	L17H3ED1124		
17H3ED1125	L	L17H3ED1125		
17H3ED1127	L	L17H3ED1127		
17H3ED1130	L	L17H3ED1130		
17H3ED1131	L	L17H3ED1131		
17H3ED1134	L	L17H3ED1134		
17H3ED1135	L	L17H3ED1135		
17H3ED1137	L	L17H3ED1137		
17H3ED2120	L	L17H3ED2120		
17H3ED2121	L	L17H3ED2121		
17H3ED2124	L	L17H3ED2124		
17H3ED2125	L	L17H3ED2125		
17H3ED2127	L	L17H3ED2127		
17H3ED2130	L	L17H3ED2130		
17H3ED2131	L	L17H3ED2131		
17H3ED2134	L	L17H3ED2134		
17H3ED2135	L	L17H3ED2135		
17H3ED2137	L	L17H3ED2137		
17H3EE0120	L	L17H3EE0120		
17H3EE0121	L	L17H3EE0121		
17H3EE0124	L	L17H3EE0124		
17H3EE0125	L	L17H3EE0125		
17H3EE0127	L	L17H3EE0127		
17H3EE0130	L	L17H3EE0130		

ASF "own" and original PN's not RoHs		Compliant RoHs PN's WITH or WHITHOUT " L " to be ordered with " L "		
		Compliant PN's since the 1st of July 2005 to be ordered with " L "		
		PN's not RoHs, to be ordered WITHOUT the " L " untill new information		
Original Part Numbers		RoHs part numbers (all connectors are with tinned shells)	What has changed to be RoHs	To be changed to be RoHs
17H3EE0131	L	L17H3EE0131		
17H3EE0134	L	L17H3EE0134		
17H3EE0135	L	L17H3EE0135		
17H3EE0137	L	L17H3EE0137		
17H3EE1120	L	L17H3EE1120		
17H3EE1121	L	L17H3EE1121		
17H3EE1124	L	L17H3EE1124		
17H3EE1125	L	L17H3EE1125		
17H3EE1127	L	L17H3EE1127		
17H3EE1130	L	L17H3EE1130		
17H3EE1131	L	L17H3EE1131		
17H3EE1134	L	L17H3EE1134		
17H3EE1135	L	L17H3EE1135		
17H3EE1137	L	L17H3EE1137		
17H3EE2120	L	L17H3EE2120		
17H3EE2121	L	L17H3EE2121		
17H3EE2124	L	L17H3EE2124		
17H3EE2125	L	L17H3EE2125		
17H3EE2127	L	L17H3EE2127		
17H3EE2130	L	L17H3EE2130		
17H3EE2131	L	L17H3EE2131		
17H3EE2134	L	L17H3EE2134		
17H3EE2135	L	L17H3EE2135		
17H3EE2137	L	L17H3EE2137		
17H7681128	L	L17H7681128		
17H7EC1128	L	L17H7EC1128		
17H7HAP3F1C	L	L17H7HAP3F1C		
17H7HAP3F2C	L	L17H7HAP3F2C		
17H7HAP3F4C	L	L17H7HAP3F4C		
17H7HAP3R1C	L	L17H7HAP3R1C		
17H7HAP3R2C	L	L17H7HAP3R2C		
17H7HAP3R4C	L	L17H7HAP3R4C		
17H7HAP4F1C	L	L17H7HAP4F1C		

ASF "own" and original PN's not RoHs		Compliant RoHs PN's WITH or WHITHOUT " L " to be ordered with " L "		
		Compliant PN's since the 1st of July 2005 to be ordered with " L "		
		PN's not RoHs, to be ordered WITHOUT the " L " untill new information		
Original Part Numbers		RoHs part numbers (all connectors are with tinned shells)	What has changed to be RoHs	To be changed to be RoHs
17HTHAP4F2C	L	L17HTHAP4F2C		
17HTHAP4F4C	L	L17HTHAP4F4C		
17HTHAP4R1C	L	L17HTHAP4R1C		
17HTHAP4R2C	L	L17HTHAP4R2C		
17HTHAP4R4C	L	L17HTHAP4R4C		
17HTHAS3F1C	L	L17HTHAS3F1C		
17HTHAS3F2C	L	L17HTHAS3F2C		
17HTHAS3F4C	L	L17HTHAS3F4C		
17HTHAS3R1C	L	L17HTHAS3R1C		
17HTHAS3R2C	L	L17HTHAS3R2C		
17HTHAS3R4C	L	L17HTHAS3R4C		
17HTHAS4F1C	L	L17HTHAS4F1C		
17HTHAS4F2C	L	L17HTHAS4F2C		
17HTHAS4F4C	L	L17HTHAS4F4C		
17HTHAS4R1C	L	L17HTHAS4R1C		
17HTHAS4R2C	L	L17HTHAS4R2C		
17HTHAS4R4C	L	L17HTHAS4R4C		
17HTHBP3F1C	L	L17HTHBP3F1C		
17HTHBP3F2C	L	L17HTHBP3F2C		
17HTHBP3F4C	L	L17HTHBP3F4C		
17HTHBP3R1C	L	L17HTHBP3R1C		
17HTHBP3R2C	L	L17HTHBP3R2C		
17HTHBP3R4C	L	L17HTHBP3R4C		
17HTHBP4F1C	L	L17HTHBP4F1C		
17HTHBP4F2C	L	L17HTHBP4F2C		
17HTHBP4F4C	L	L17HTHBP4F4C		
17HTHBP4R1C	L	L17HTHBP4R1C		
17HTHBP4R2C	L	L17HTHBP4R2C		
17HTHBP4R4C	L	L17HTHBP4R4C		
17HTHBS3F1C	L	L17HTHBS3F1C		
17HTHBS3F2C	L	L17HTHBS3F2C		
17HTHBS3F4C	L	L17HTHBS3F4C		
17HTHBS3R1C	L	L17HTHBS3R1C		

ASF "own" and original PN's not RoHs		Compliant RoHs PN's WITH or WHITHOUT " L " to be ordered with " L "		
		Compliant PN's since the 1st of July 2005 to be ordered with " L "		
		PN's not RoHs, to be ordered WITHOUT the " L " untill new information		
Original Part Numbers		RoHs part numbers (all connectors are with tinned shells)	What has changed to be RoHs	To be changed to be RoHs
17HTHBS3R2C	L	L17HTHBS3R2C		
17HTHBS3R4C	L	L17HTHBS3R4C		
17HTHBS4F1C	L	L17HTHBS4F1C		
17HTHBS4F2C	L	L17HTHBS4F2C		
17HTHBS4F4C	L	L17HTHBS4F4C		
17HTHBS4R1C	L	L17HTHBS4R1C		
17HTHBS4R2C	L	L17HTHBS4R2C		
17HTHBS4R4C	L	L17HTHBS4R4C		
17HTHCP3F1C	L	L17HTHCP3F1C		
17HTHCP3F2C	L	L17HTHCP3F2C		
17HTHCP3F4C	L	L17HTHCP3F4C		
17HTHCP3R1C	L	L17HTHCP3R1C		
17HTHCP3R2C	L	L17HTHCP3R2C		
17HTHCP3R4C	L	L17HTHCP3R4C		
17HTHCP4F1C	L	L17HTHCP4F1C		
17HTHCP4F2C	L	L17HTHCP4F2C		
17HTHCP4F4C	L	L17HTHCP4F4C		
17HTHCP4R1C	L	L17HTHCP4R1C		
17HTHCP4R2C	L	L17HTHCP4R2C		
17HTHCP4R4C	L	L17HTHCP4R4C		
17HTHCS3F1C	L	L17HTHCS3F1C		
17HTHCS3F2C	L	L17HTHCS3F2C		
17HTHCS3F4C	L	L17HTHCS3F4C		
17HTHCS3R1C	L	L17HTHCS3R1C		
17HTHCS3R2C	L	L17HTHCS3R2C		
17HTHCS3R4C	L	L17HTHCS3R4C		
17HTHCS4F1C	L	L17HTHCS4F1C		
17HTHCS4F2C	L	L17HTHCS4F2C		
17HTHCS4F4C	L	L17HTHCS4F4C		
17HTHCS4R1C	L	L17HTHCS4R1C		
17HTHCS4R2C	L	L17HTHCS4R2C		
17HTHCS4R4C	L	L17HTHCS4R4C		
17HTHEP3F1C	L	L17HTHEP3F1C		

ASF "own" and original PN's not RoHs		Compliant RoHs PN's WITH or WHITHOUT " L " to be ordered with " L "		
		Compliant PN's since the 1st of July 2005 to be ordered with " L "		
		PN's not RoHs, to be ordered WITHOUT the " L " untill new information		
Original Part Numbers		RoHs part numbers (all connectors are with tinned shells)	What has changed to be RoHs	To be changed to be RoHs
17HTHEP3F2C	L	L17HTHEP3F2C		
17HTHEP3F4C	L	L17HTHEP3F4C		
17HTHEP3R1C	L	L17HTHEP3R1C		
17HTHEP3R2C	L	L17HTHEP3R2C		
17HTHEP3R4C	L	L17HTHEP3R4C		
17HTHEP4F1C	L	L17HTHEP4F1C		
17HTHEP4F2C	L	L17HTHEP4F2C		
17HTHEP4F4C	L	L17HTHEP4F4C		
17HTHEP4R1C	L	L17HTHEP4R1C		
17HTHEP4R2C	L	L17HTHEP4R2C		
17HTHEP4R4C	L	L17HTHEP4R4C		
17HTHES3F1C	L	L17HTHES3F1C		
17HTHES3F2C	L	L17HTHES3F2C		
17HTHES3F4C	L	L17HTHES3F4C		
17HTHES3R1C	L	L17HTHES3R1C		
17HTHES3R2C	L	L17HTHES3R2C		
17HTHES3R4C	L	L17HTHES3R4C		
17HTHES4F1C	L	L17HTHES4F1C		
17HTHES4F2C	L	L17HTHES4F2C		
17HTHES4F4C	L	L17HTHES4F4C		
17HTHES4R1C	L	L17HTHES4R1C		
17HTHES4R2C	L	L17HTHES4R2C		
17HTHES4R4C	L	L17HTHES4R4C		
17HTNAGPOL21	L	L17HTNAGPOL21		
17HTNAGPOL22	L	L17HTNAGPOL22		
17HTNAGPOL24	L	L17HTNAGPOL24		
17HTNAGPOL2RM51	L	L17HTNAGPOL2RM51		
17HTNAGPOL2RM52	L	L17HTNAGPOL2RM52		
17HTNAGPOL2RM54	L	L17HTNAGPOL2RM54		
17HTNAGPOL2RM81	L	L17HTNAGPOL2RM81		
17HTNAGPOL2RM82	L	L17HTNAGPOL2RM82		
17HTNAGPOL2RM84	L	L17HTNAGPOL2RM84		
17HTNAGSOL21	L	L17HTNAGSOL21		

ASF "own" and original PN's not RoHs		Compliant RoHs PN's WITH or WHITHOUT " L " to be ordered with " L "		
		Compliant PN's since the 1st of July 2005 to be ordered with " L "		
		PN's not RoHs, to be ordered WITHOUT the " L " untill new information		
Original Part Numbers		RoHs part numbers (all connectors are with tinned shells)	What has changed to be RoHs	To be changed to be RoHs
17HTNAGSOL22	L	L17HTNAGSOL22		
17HTNAGSOL24	L	L17HTNAGSOL24		
17HTNAGSOL2RM51	L	L17HTNAGSOL2RM51		
17HTNAGSOL2RM52	L	L17HTNAGSOL2RM52		
17HTNAGSOL2RM54	L	L17HTNAGSOL2RM54		
17HTNAGSOL2RM81	L	L17HTNAGSOL2RM81		
17HTNAGSOL2RM82	L	L17HTNAGSOL2RM82		
17HTNAGSOL2RM84	L	L17HTNAGSOL2RM84		
17HTNAHPOL21	L	L17HTNAHPOL21		
17HTNAHPOL22	L	L17HTNAHPOL22		
17HTNAHPOL24	L	L17HTNAHPOL24		
17HTNAHPOL2RM51	L	L17HTNAHPOL2RM51		
17HTNAHPOL2RM52	L	L17HTNAHPOL2RM52		
17HTNAHPOL2RM54	L	L17HTNAHPOL2RM54		
17HTNAHPOL2RM81	L	L17HTNAHPOL2RM81		
17HTNAHPOL2RM82	L	L17HTNAHPOL2RM82		
17HTNAHPOL2RM84	L	L17HTNAHPOL2RM84		
17HTNAHSOL21	L	L17HTNAHSOL21		
17HTNAHSOL22	L	L17HTNAHSOL22		
17HTNAHSOL24	L	L17HTNAHSOL24		
17HTNAHSOL2RM51	L	L17HTNAHSOL2RM51		
17HTNAHSOL2RM52	L	L17HTNAHSOL2RM52		
17HTNAHSOL2RM54	L	L17HTNAHSOL2RM54		
17HTNAHSOL2RM81	L	L17HTNAHSOL2RM81		
17HTNAHSOL2RM82	L	L17HTNAHSOL2RM82		
17HTNAHSOL2RM84	L	L17HTNAHSOL2RM84		
17HTNAP3F1C	L	L17HTNAP3F1C		
17HTNAP3F2C	L	L17HTNAP3F2C		
17HTNAP3F4C	L	L17HTNAP3F4C		
17HTNAP3R1C	L	L17HTNAP3R1C		
17HTNAP3R2C	L	L17HTNAP3R2C		
17HTNAP3R4C	L	L17HTNAP3R4C		
17HTNAP4F1C	L	L17HTNAP4F1C		

ASF "own" and original PN's not RoHs		Compliant RoHs PN's WITH or WHITHOUT " L " to be ordered with " L "		
		Compliant PN's since the 1st of July 2005 to be ordered with " L "		
		PN's not RoHs, to be ordered WITHOUT the " L " untill new information		
Original Part Numbers		RoHs part numbers (all connectors are with tinned shells)	What has changed to be RoHs	To be changed to be RoHs
17HTNAP4F2C	L	L17HTNAP4F2C		
17HTNAP4F4C	L	L17HTNAP4F4C		
17HTNAP4R1C	L	L17HTNAP4R1C		
17HTNAP4R2C	L	L17HTNAP4R2C		
17HTNAP4R4C	L	L17HTNAP4R4C		
17HTNAPAB3F1C	L	L17HTNAPAB3F1C		
17HTNAPAB3F2C	L	L17HTNAPAB3F2C		
17HTNAPAB3F4C	L	L17HTNAPAB3F4C		
17HTNAPAB3R1C	L	L17HTNAPAB3R1C		
17HTNAPAB3R2C	L	L17HTNAPAB3R2C		
17HTNAPAB3R4C	L	L17HTNAPAB3R4C		
17HTNAPAB4F1C	L	L17HTNAPAB4F1C		
17HTNAPAB4F2C	L	L17HTNAPAB4F2C		
17HTNAPAB4F4C	L	L17HTNAPAB4F4C		
17HTNAPAB4R1C	L	L17HTNAPAB4R1C		
17HTNAPAB4R2C	L	L17HTNAPAB4R2C		
17HTNAPAB4R4C	L	L17HTNAPAB4R4C		
17HTNAS3F1C	L	L17HTNAS3F1C		
17HTNAS3F2C	L	L17HTNAS3F2C		
17HTNAS3F4C	L	L17HTNAS3F4C		
17HTNAS3R1C	L	L17HTNAS3R1C		
17HTNAS3R2C	L	L17HTNAS3R2C		
17HTNAS3R4C	L	L17HTNAS3R4C		
17HTNAS4F1C	L	L17HTNAS4F1C		
17HTNAS4F2C	L	L17HTNAS4F2C		
17HTNAS4F4C	L	L17HTNAS4F4C		
17HTNAS4R1C	L	L17HTNAS4R1C		
17HTNAS4R2C	L	L17HTNAS4R2C		
17HTNAS4R4C	L	L17HTNAS4R4C		
17HTNASAB3F1C	L	L17HTNASAB3F1C		
17HTNASAB3F2C	L	L17HTNASAB3F2C		
17HTNASAB3F4C	L	L17HTNASAB3F4C		
17HTNASAB3R1C	L	L17HTNASAB3R1C		

ASF "own" and original PN's not RoHs		Compliant RoHs PN's WITH or WHITHOUT " L " to be ordered with " L "		
		Compliant PN's since the 1st of July 2005 to be ordered with " L "		
		PN's not RoHs, to be ordered WITHOUT the " L " until new information		
Original Part Numbers		RoHs part numbers (all connectors are with tinned shells)	What has changed to be RoHs	To be changed to be RoHs
17HTNASAB3R2C	L	L17HTNASAB3R2C		
17HTNASAB3R4C	L	L17HTNASAB3R4C		
17HTNASAB4F1C	L	L17HTNASAB4F1C		
17HTNASAB4F2C	L	L17HTNASAB4F2C		
17HTNASAB4F4C	L	L17HTNASAB4F4C		
17HTNASAB4R1C	L	L17HTNASAB4R1C		
17HTNASAB4R2C	L	L17HTNASAB4R2C		
17HTNASAB4R4C	L	L17HTNASAB4R4C		
17HTNBGPOL21	L	L17HTNBGPOL21		
17HTNBGPOL22	L	L17HTNBGPOL22		
17HTNBGPOL24	L	L17HTNBGPOL24		
17HTNBGPOL2RM51	L	L17HTNBGPOL2RM51		
17HTNBGPOL2RM52	L	L17HTNBGPOL2RM52		
17HTNBGPOL2RM54	L	L17HTNBGPOL2RM54		
17HTNBGPOL2RM81	L	L17HTNBGPOL2RM81		
17HTNBGPOL2RM82	L	L17HTNBGPOL2RM82		
17HTNBGPOL2RM84	L	L17HTNBGPOL2RM84		
17HTNBGSOL21	L	L17HTNBGSOL21		
17HTNBGSOL22	L	L17HTNBGSOL22		
17HTNBGSOL24	L	L17HTNBGSOL24		
17HTNBGSOL2RM51	L	L17HTNBGSOL2RM51		
17HTNBGSOL2RM52	L	L17HTNBGSOL2RM52		
17HTNBGSOL2RM54	L	L17HTNBGSOL2RM54		
17HTNBGSOL2RM81	L	L17HTNBGSOL2RM81		
17HTNBGSOL2RM82	L	L17HTNBGSOL2RM82		
17HTNBGSOL2RM84	L	L17HTNBGSOL2RM84		
17HTNBHPOL21	L	L17HTNBHPOL21		
17HTNBHPOL22	L	L17HTNBHPOL22		
17HTNBHPOL24	L	L17HTNBHPOL24		
17HTNBHPOL2RM51	L	L17HTNBHPOL2RM51		
17HTNBHPOL2RM52	L	L17HTNBHPOL2RM52		
17HTNBHPOL2RM54	L	L17HTNBHPOL2RM54		
17HTNBHPOL2RM81	L	L17HTNBHPOL2RM81		

ASF "own" and original PN's not RoHs		Compliant RoHs PN's WITH or WHITHOUT " L " to be ordered with " L "		
		Compliant PN's since the 1st of July 2005 to be ordered with " L "		
		PN's not RoHs, to be ordered WITHOUT the " L " untill new information		
Original Part Numbers		RoHs part numbers (all connectors are with tinned shells)	What has changed to be RoHs	To be changed to be RoHs
17HTNBHPOL2RM82	L	L17HTNBHPOL2RM82		
17HTNBHPOL2RM84	L	L17HTNBHPOL2RM84		
17HTNBHSOL21	L	L17HTNBHSOL21		
17HTNBHSOL22	L	L17HTNBHSOL22		
17HTNBHSOL24	L	L17HTNBHSOL24		
17HTNBHSOL2RM51	L	L17HTNBHSOL2RM51		
17HTNBHSOL2RM52	L	L17HTNBHSOL2RM52		
17HTNBHSOL2RM54	L	L17HTNBHSOL2RM54		
17HTNBHSOL2RM81	L	L17HTNBHSOL2RM81		
17HTNBHSOL2RM82	L	L17HTNBHSOL2RM82		
17HTNBHSOL2RM84	L	L17HTNBHSOL2RM84		
17HTNBP3F1C	L	L17HTNBP3F1C		
17HTNBP3F2C	L	L17HTNBP3F2C		
17HTNBP3F4C	L	L17HTNBP3F4C		
17HTNBP3R1C	L	L17HTNBP3R1C		
17HTNBP3R2C	L	L17HTNBP3R2C		
17HTNBP3R4C	L	L17HTNBP3R4C		
17HTNBP4F1C	L	L17HTNBP4F1C		
17HTNBP4F2C	L	L17HTNBP4F2C		
17HTNBP4F4C	L	L17HTNBP4F4C		
17HTNBP4R1C	L	L17HTNBP4R1C		
17HTNBP4R2C	L	L17HTNBP4R2C		
17HTNBP4R4C	L	L17HTNBP4R4C		
17HTNBPAB3F1C	L	L17HTNBPAB3F1C		
17HTNBPAB3F2C	L	L17HTNBPAB3F2C		
17HTNBPAB3F4C	L	L17HTNBPAB3F4C		
17HTNBPAB3R1C	L	L17HTNBPAB3R1C		
17HTNBPAB3R2C	L	L17HTNBPAB3R2C		
17HTNBPAB3R4C	L	L17HTNBPAB3R4C		
17HTNBPAB4F1C	L	L17HTNBPAB4F1C		
17HTNBPAB4F2C	L	L17HTNBPAB4F2C		
17HTNBPAB4F4C	L	L17HTNBPAB4F4C		
17HTNBPAB4R1C	L	L17HTNBPAB4R1C		

ASF "own" and original PN's not RoHs		Compliant RoHs PN's WITH or WHITHOUT " L " to be ordered with " L "		
		Compliant PN's since the 1st of July 2005 to be ordered with " L "		
		PN's not RoHs, to be ordered WITHOUT the " L " untill new information		
Original Part Numbers		RoHs part numbers (all connectors are with tinned shells)	What has changed to be RoHs	To be changed to be RoHs
17HTNBPAB4R2C	L	L17HTNBPAB4R2C		
17HTNBPAB4R4C	L	L17HTNBPAB4R4C		
17HTNBS3F1C	L	L17HTNBS3F1C		
17HTNBS3F2C	L	L17HTNBS3F2C		
17HTNBS3F4C	L	L17HTNBS3F4C		
17HTNBS3R1C	L	L17HTNBS3R1C		
17HTNBS3R2C	L	L17HTNBS3R2C		
17HTNBS3R4C	L	L17HTNBS3R4C		
17HTNBS4F1C	L	L17HTNBS4F1C		
17HTNBS4F2C	L	L17HTNBS4F2C		
17HTNBS4F4C	L	L17HTNBS4F4C		
17HTNBS4R1C	L	L17HTNBS4R1C		
17HTNBS4R2C	L	L17HTNBS4R2C		
17HTNBS4R4C	L	L17HTNBS4R4C		
17HTNBSAB3F1C	L	L17HTNBSAB3F1C		
17HTNBSAB3F2C	L	L17HTNBSAB3F2C		
17HTNBSAB3F4C	L	L17HTNBSAB3F4C		
17HTNBSAB3R1C	L	L17HTNBSAB3R1C		
17HTNBSAB3R2C	L	L17HTNBSAB3R2C		
17HTNBSAB3R4C	L	L17HTNBSAB3R4C		
17HTNBSAB4F1C	L	L17HTNBSAB4F1C		
17HTNBSAB4F2C	L	L17HTNBSAB4F2C		
17HTNBSAB4F4C	L	L17HTNBSAB4F4C		
17HTNBSAB4R1C	L	L17HTNBSAB4R1C		
17HTNBSAB4R2C	L	L17HTNBSAB4R2C		
17HTNBSAB4R4C	L	L17HTNBSAB4R4C		
17HTNCGPOL21	L	L17HTNCGPOL21		
17HTNCGPOL22	L	L17HTNCGPOL22		
17HTNCGPOL24	L	L17HTNCGPOL24		
17HTNCGPOL2RM51	L	L17HTNCGPOL2RM51		
17HTNCGPOL2RM52	L	L17HTNCGPOL2RM52		
17HTNCGPOL2RM54	L	L17HTNCGPOL2RM54		
17HTNCGPOL2RM81	L	L17HTNCGPOL2RM81		

ASF "own" and original PN's not RoHs

Compliant RoHs PN's WITH or WHITHOUT " L " -to be ordered with " L "

Compliant PN's since the 1st of July 2005 -to be ordered with " L "

PN's not RoHs, to be ordered WITHOUT the " L " untill new information

Original Part Numbers		RoHs part numbers (all connectors are with tinned shells)	What has changed to be RoHs	To be changed to be RoHs
17HTNCGPOL2RM82	L	L17HTNCGPOL2RM82		
17HTNCGPOL2RM84	L	L17HTNCGPOL2RM84		
17HTNCGSOL21	L	L17HTNCGSOL21		
17HTNCGSOL22	L	L17HTNCGSOL22		
17HTNCGSOL24	L	L17HTNCGSOL24		
17HTNCGSOL2RM51	L	L17HTNCGSOL2RM51		
17HTNCGSOL2RM52	L	L17HTNCGSOL2RM52		
17HTNCGSOL2RM54	L	L17HTNCGSOL2RM54		
17HTNCGSOL2RM81	L	L17HTNCGSOL2RM81		
17HTNCGSOL2RM82	L	L17HTNCGSOL2RM82		
17HTNCGSOL2RM84	L	L17HTNCGSOL2RM84		
17HTNCHPOL21	L	L17HTNCHPOL21		
17HTNCHPOL22	L	L17HTNCHPOL22		
17HTNCHPOL24	L	L17HTNCHPOL24		
17HTNCHPOL2RM51	L	L17HTNCHPOL2RM51		
17HTNCHPOL2RM52	L	L17HTNCHPOL2RM52		
17HTNCHPOL2RM54	L	L17HTNCHPOL2RM54		
17HTNCHPOL2RM81	L	L17HTNCHPOL2RM81		
17HTNCHPOL2RM82	L	L17HTNCHPOL2RM82		
17HTNCHPOL2RM84	L	L17HTNCHPOL2RM84		
17HTNCHSOL21	L	L17HTNCHSOL21		
17HTNCHSOL22	L	L17HTNCHSOL22		
17HTNCHSOL24	L	L17HTNCHSOL24		
17HTNCHSOL2RM51	L	L17HTNCHSOL2RM51		
17HTNCHSOL2RM52	L	L17HTNCHSOL2RM52		
17HTNCHSOL2RM54	L	L17HTNCHSOL2RM54		
17HTNCHSOL2RM81	L	L17HTNCHSOL2RM81		
17HTNCHSOL2RM82	L	L17HTNCHSOL2RM82		
17HTNCHSOL2RM84	L	L17HTNCHSOL2RM84		
17HTNCP3F1C	L	L17HTNCP3F1C		
17HTNCP3F2C	L	L17HTNCP3F2C		
17HTNCP3F4C	L	L17HTNCP3F4C		
17HTNCP3R1C	L	L17HTNCP3R1C		

ASF "own" and original PN's not RoHs		Compliant RoHs PN's WITH or WHITHOUT " L " → to be ordered with " L "		
		Compliant PN's since the 1st of July 2005 → to be ordered with " L "		
		PN's not RoHs, to be ordered WITHOUT the " L " until new information		
Original Part Numbers		RoHs part numbers (all connectors are with tinned shells)	What has changed to be RoHs	To be changed to be RoHs
17HTNCP3R2C	L	L17HTNCP3R2C		
17HTNCP3R4C	L	L17HTNCP3R4C		
17HTNCP4F1C	L	L17HTNCP4F1C		
17HTNCP4F2C	L	L17HTNCP4F2C		
17HTNCP4F4C	L	L17HTNCP4F4C		
17HTNCP4R1C	L	L17HTNCP4R1C		
17HTNCP4R2C	L	L17HTNCP4R2C		
17HTNCP4R4C	L	L17HTNCP4R4C		
17HTNCPAB3F1C	L	L17HTNCPAB3F1C		
17HTNCPAB3F2C	L	L17HTNCPAB3F2C		
17HTNCPAB3F4C	L	L17HTNCPAB3F4C		
17HTNCPAB3R1C	L	L17HTNCPAB3R1C		
17HTNCPAB3R2C	L	L17HTNCPAB3R2C		
17HTNCPAB3R4C	L	L17HTNCPAB3R4C		
17HTNCPAB4F1C	L	L17HTNCPAB4F1C		
17HTNCPAB4F2C	L	L17HTNCPAB4F2C		
17HTNCPAB4F4C	L	L17HTNCPAB4F4C		
17HTNCPAB4R1C	L	L17HTNCPAB4R1C		
17HTNCPAB4R2C	L	L17HTNCPAB4R2C		
17HTNCPAB4R4C	L	L17HTNCPAB4R4C		
17HTNCS3F1C	L	L17HTNCS3F1C		
17HTNCS3F2C	L	L17HTNCS3F2C		
17HTNCS3F4C	L	L17HTNCS3F4C		
17HTNCS3R1C	L	L17HTNCS3R1C		
17HTNCS3R2C	L	L17HTNCS3R2C		
17HTNCS3R4C	L	L17HTNCS3R4C		
17HTNCS4F1C	L	L17HTNCS4F1C		
17HTNCS4F2C	L	L17HTNCS4F2C		
17HTNCS4F4C	L	L17HTNCS4F4C		
17HTNCS4R1C	L	L17HTNCS4R1C		
17HTNCS4R2C	L	L17HTNCS4R2C		
17HTNCS4R4C	L	L17HTNCS4R4C		
17HTNCSAB3F1C	L	L17HTNCSAB3F1C		

ASF "own" and original PN's not RoHs		Compliant RoHs PN's WITH or WHITHOUT " L " to be ordered with " L "		
		Compliant PN's since the 1st of July 2005 to be ordered with " L "		
		PN's not RoHs, to be ordered WITHOUT the " L " until new information		
Original Part Numbers		RoHs part numbers (all connectors are with tinned shells)	What has changed to be RoHs	To be changed to be RoHs
17HTNCSAB3F2C	L	L17HTNCSAB3F2C		
17HTNCSAB3F4C	L	L17HTNCSAB3F4C		
17HTNCSAB3R1C	L	L17HTNCSAB3R1C		
17HTNCSAB3R2C	L	L17HTNCSAB3R2C		
17HTNCSAB3R4C	L	L17HTNCSAB3R4C		
17HTNCSAB4F1C	L	L17HTNCSAB4F1C		
17HTNCSAB4F2C	L	L17HTNCSAB4F2C		
17HTNCSAB4F4C	L	L17HTNCSAB4F4C		
17HTNCSAB4R1C	L	L17HTNCSAB4R1C		
17HTNCSAB4R2C	L	L17HTNCSAB4R2C		
17HTNCSAB4R4C	L	L17HTNCSAB4R4C		
17HTNEGPOL21	L	L17HTNEGPOL21		
17HTNEGPOL22	L	L17HTNEGPOL22		
17HTNEGPOL24	L	L17HTNEGPOL24		
17HTNEGPOL2RM51	L	L17HTNEGPOL2RM51		
17HTNEGPOL2RM52	L	L17HTNEGPOL2RM52		
17HTNEGPOL2RM54	L	L17HTNEGPOL2RM54		
17HTNEGPOL2RM81	L	L17HTNEGPOL2RM81		
17HTNEGPOL2RM82	L	L17HTNEGPOL2RM82		
17HTNEGPOL2RM84	L	L17HTNEGPOL2RM84		
17HTNEGSOL21	L	L17HTNEGSOL21		
17HTNEGSOL22	L	L17HTNEGSOL22		
17HTNEGSOL24	L	L17HTNEGSOL24		
17HTNEGSOL2RM51	L	L17HTNEGSOL2RM51		
17HTNEGSOL2RM52	L	L17HTNEGSOL2RM52		
17HTNEGSOL2RM54	L	L17HTNEGSOL2RM54		
17HTNEGSOL2RM81	L	L17HTNEGSOL2RM81		
17HTNEGSOL2RM82	L	L17HTNEGSOL2RM82		
17HTNEGSOL2RM84	L	L17HTNEGSOL2RM84		
17HTNEHPOL21	L	L17HTNEHPOL21		
17HTNEHPOL22	L	L17HTNEHPOL22		
17HTNEHPOL24	L	L17HTNEHPOL24		
17HTNEHPOL2ERM51C	L	L17HTNEHPOL2ERM51C		

ASF "own" and original PN's not RoHs		Compliant RoHs PN's WITH or WITHOUT " L " → to be ordered with " L "		
		Compliant PN's since the 1st of July 2005 → to be ordered with " L "		
		PN's not RoHs, to be ordered WITHOUT the " L " until new information		
Original Part Numbers		RoHs part numbers (all connectors are with tinned shells)	What has changed to be RoHs	To be changed to be RoHs
17HTNEHPOL2ERM81C	L	L17HTNEHPOL2ERM81C		
17HTNEHPOL2RM51	L	L17HTNEHPOL2RM51		
17HTNEHPOL2RM52	L	L17HTNEHPOL2RM52		
17HTNEHPOL2RM54	L	L17HTNEHPOL2RM54		
17HTNEHPOL2RM81	L	L17HTNEHPOL2RM81		
17HTNEHPOL2RM82	L	L17HTNEHPOL2RM82		
17HTNEHPOL2RM84	L	L17HTNEHPOL2RM84		
17HTNEHSOL21	L	L17HTNEHSOL21		
17HTNEHSOL22	L	L17HTNEHSOL22		
17HTNEHSOL24	L	L17HTNEHSOL24		
17HTNEHSOL2RM51	L	L17HTNEHSOL2RM51		
17HTNEHSOL2RM52	L	L17HTNEHSOL2RM52		
17HTNEHSOL2RM54	L	L17HTNEHSOL2RM54		
17HTNEHSOL2RM81	L	L17HTNEHSOL2RM81		
17HTNEHSOL2RM82	L	L17HTNEHSOL2RM82		
17HTNEHSOL2RM84	L	L17HTNEHSOL2RM84		
17HTNEHSOL2RM84C	L	L17HTNEHSOL2RM84C		
17HTNEP3F1C	L	L17HTNEP3F1C		
17HTNEP3F2C	L	L17HTNEP3F2C		
17HTNEP3F4C	L	L17HTNEP3F4C		
17HTNEP3R1C	L	L17HTNEP3R1C		
17HTNEP3R2C	L	L17HTNEP3R2C		
17HTNEP3R4C	L	L17HTNEP3R4C		
17HTNEP4F1C	L	L17HTNEP4F1C		
17HTNEP4F2C	L	L17HTNEP4F2C		
17HTNEP4F4C	L	L17HTNEP4F4C		
17HTNEP4R1C	L	L17HTNEP4R1C		
17HTNEP4R2C	L	L17HTNEP4R2C		
17HTNEP4R4C	L	L17HTNEP4R4C		
17HTNEPAB3F1C	L	L17HTNEPAB3F1C		
17HTNEPAB3F2C	L	L17HTNEPAB3F2C		
17HTNEPAB3F4C	L	L17HTNEPAB3F4C		
17HTNEPAB3R1C	L	L17HTNEPAB3R1C		

ASF "own" and original PN's not RoHs		Compliant RoHs PN's WITH or WHITHOUT " L " to be ordered with " L "		
		Compliant PN's since the 1st of July 2005 to be ordered with " L "		
		PN's not RoHs, to be ordered WITHOUT the " L " untill new information		
Original Part Numbers		RoHs part numbers (all connectors are with tinned shells)	What has changed to be RoHs	To be changed to be RoHs
17HTNEPAB3R2C	L	L17HTNEPAB3R2C		
17HTNEPAB3R4C	L	L17HTNEPAB3R4C		
17HTNEPAB4F1C	L	L17HTNEPAB4F1C		
17HTNEPAB4F2C	L	L17HTNEPAB4F2C		
17HTNEPAB4F4C	L	L17HTNEPAB4F4C		
17HTNEPAB4R1C	L	L17HTNEPAB4R1C		
17HTNEPAB4R2C	L	L17HTNEPAB4R2C		
17HTNEPAB4R4C	L	L17HTNEPAB4R4C		
17HTNES3F1C	L	L17HTNES3F1C		
17HTNES3F2C	L	L17HTNES3F2C		
17HTNES3F4C	L	L17HTNES3F4C		
17HTNES3R1C	L	L17HTNES3R1C		
17HTNES3R2C	L	L17HTNES3R2C		
17HTNES3R4C	L	L17HTNES3R4C		
17HTNES4F1C	L	L17HTNES4F1C		
17HTNES4F2C	L	L17HTNES4F2C		
17HTNES4F4C	L	L17HTNES4F4C		
17HTNES4R1C	L	L17HTNES4R1C		
17HTNES4R2C	L	L17HTNES4R2C		
17HTNES4R4C	L	L17HTNES4R4C		
17HTNESAB3F1C	L	L17HTNESAB3F1C		
17HTNESAB3F2C	L	L17HTNESAB3F2C		
17HTNESAB3F4C	L	L17HTNESAB3F4C		
17HTNESAB3R1C	L	L17HTNESAB3R1C		
17HTNESAB3R2C	L	L17HTNESAB3R2C		
17HTNESAB3R4C	L	L17HTNESAB3R4C		
17HTNESAB4F1C	L	L17HTNESAB4F1C		
17HTNESAB4F2C	L	L17HTNESAB4F2C		
17HTNESAB4F4C	L	L17HTNESAB4F4C		
17HTNESAB4R1C	L	L17HTNESAB4R1C		
17HTNESAB4R2C	L	L17HTNESAB4R2C		
17HTNESAB4R4C	L	L17HTNESAB4R4C		
17MP090110	L	L17MP090110		

Cts Tails :from tin-lead to tin or gold

ASF "own" and original PN's not RoHs		Compliant RoHs PN's WITH or WHITHOUT " L " to be ordered with " L "		
		Compliant PN's since the 1st of July 2005 to be ordered with " L "		
		PN's not RoHs, to be ordered WITHOUT the " L " untill new information		
Original Part Numbers		RoHs part numbers (all connectors are with tinned shells)	What has changed to be RoHs	To be changed to be RoHs
17MP091110	L	L17MP091110		Cts Tails :from tin-lead to tin or gold
17MP150110	L	L17MP150110		Cts Tails :from tin-lead to tin or gold
17MP150210	L	L17MP150210		Cts Tails :from tin-lead to tin or gold
17MP151110	L	L17MP151110		Cts Tails :from tin-lead to tin or gold
17MP151210	L	L17MP151210		Cts Tails :from tin-lead to tin or gold
17MP250110	L	L17MP250110		Cts Tails :from tin-lead to tin or gold
17MP251110	L	L17MP251110		Cts Tails :from tin-lead to tin or gold
17MP251210	L	L17MP251210		Cts Tails :from tin-lead to tin or gold
17MP370110	L	L17MP370110		Cts Tails :from tin-lead to tin or gold
17MP371010	L	L17MP371010		Cts Tails :from tin-lead to tin or gold
17MP371110	L	L17MP371110		Cts Tails :from tin-lead to tin or gold
17MP371210	L	L17MP371210		Cts Tails :from tin-lead to tin or gold
17SDA15POL2*	L	L717SDA15POL2*		
17SDA15SOL2*	L	L77SDA15SOL2*		
17SDB25POL2*	L	L717SDB25POL2*		
17SDB25SOL2*	L	L77SDB25SOL2*		
17SDBH25SOL2*	L	L77SDBH25SOL2*		
17SDBH25SOL2RM5*	L	L77SDBH25SOL2RM5*		
17SDC37POL2*	L	L717SDC37POL2*		
17SDC37SOL2*	L	L77SDC37SOL2*		
17SDD50POL2*	L	L717SDD50POL2*		
17SDD50SOL2*	L	L77SDD50SOL2*		
17SDD50SOL2VF*	L	L77SDD50SOL2VF*		
17SDDH50SOL2*	L	L77SDDH50SOL2*		
17SDE09POL2*	L	L717SDE09POL2*		
17SDE09SOL2*	L	L77SDE09SOL2*		
17SDEH09POL2RM5*	L	L717SDEH09POL2RM5*		
17SM09S114T	L	L17SM09S114T		Cts Tails :from tin-lead to tin or gold
17SM09S714T	L	L17SM09S714T		Cts Tails :from tin-lead to tin or gold
17SM09SB14T	L	L17SM09SB14T		Cts Tails :from tin-lead to tin or gold
17SM15S114T	L	L17SM15S114T		Cts Tails :from tin-lead to tin or gold
17SM15S714T	L	L17SM15S714T		Cts Tails :from tin-lead to tin or gold
17SM209S111T	L	L17SM209S111T		Cts Tails :from tin-lead to tin or gold

ASF "own" and original PN's not RoHs		Compliant RoHs PN's WITH or WHITHOUT " L " to be ordered with " L "		
		Compliant PN's since the 1st of July 2005 to be ordered with " L "		
		PN's not RoHs, to be ordered WITHOUT the " L " untill new information		
Original Part Numbers		RoHs part numbers (all connectors are with tinned shells)	What has changed to be RoHs	To be changed to be RoHs
17SM209S114T	L	L17SM209S114T		Cts Tails :from tin-lead to tin or gold
17SM209S151T	L	L17SM209S151T		Cts Tails :from tin-lead to tin or gold
17SM209S161T	L	L17SM209S161T		Cts Tails :from tin-lead to tin or gold
17SM209S713T	L	L17SM209S713T		Cts Tails :from tin-lead to tin or gold
17SM209S714T	L	L17SM209S714T		Cts Tails :from tin-lead to tin or gold
17SM209SB11T	L	L17SM209SB11T		Cts Tails :from tin-lead to tin or gold
17SM209SB14T	L	L17SM209SB14T		Cts Tails :from tin-lead to tin or gold
17SM209SB54T	L	L17SM209SB54T		Cts Tails :from tin-lead to tin or gold
17SM209SB61T	L	L17SM209SB61T		Cts Tails :from tin-lead to tin or gold
17SM209SB64T	L	L17SM209SB64T		Cts Tails :from tin-lead to tin or gold
17SM215S114T	L	L17SM215S114T		Cts Tails :from tin-lead to tin or gold
17SM215S161T	L	L17SM215S161T		Cts Tails :from tin-lead to tin or gold
17SM215SB11T	L	L17SM215SB11T		Cts Tails :from tin-lead to tin or gold
17SM215SB14T	L	L17SM215SB14T		Cts Tails :from tin-lead to tin or gold
17SM215SB54T	L	L17SM215SB54T		Cts Tails :from tin-lead to tin or gold
17SM225S114T	L	L17SM225S114T		Cts Tails :from tin-lead to tin or gold
17SM225SB11T	L	L17SM225SB11T		Cts Tails :from tin-lead to tin or gold
17SM225SB14T	L	L17SM225SB14T		Cts Tails :from tin-lead to tin or gold
17SM225SB51T	L	L17SM225SB51T		Cts Tails :from tin-lead to tin or gold
17SM225SB54T	L	L17SM225SB54T		Cts Tails :from tin-lead to tin or gold
17SM225SB64T	L	L17SM225SB64T		Cts Tails :from tin-lead to tin or gold
17SM25S114T	L	L17SM25S114T		Cts Tails :from tin-lead to tin or gold
17TF0900100	L	L17TF0900100		
17TF0900101	L	L17TF0900101		
17TF0900102	L	L17TF0900102		
17TF0900104	L	L17TF0900104		
17TF0900105	L	L17TF0900105		
17TF0900111	L	L17TF0900111		
17TF0900112	L	L17TF0900112		
17TF0900114	L	L17TF0900114		
17TF0900115	L	L17TF0900115		
17TF0901100	L	L17TF0901100		
17TF0901101	L	L17TF0901101		

ASF "own" and original PN's not RoHs		Compliant RoHs PN's WITH or WHITHOUT " L " to be ordered with " L "		
		Compliant PN's since the 1st of July 2005 to be ordered with " L "		
		PN's not RoHs, to be ordered WITHOUT the " L " untill new information		
Original Part Numbers		RoHs part numbers (all connectors are with tinned shells)	What has changed to be RoHs	To be changed to be RoHs
17TF0901102	L	L17TF0901102		
17TF0901104	L	L17TF0901104		
17TF0901105	L	L17TF0901105		
17TF0901111	L	L17TF0901111		
17TF0901112	L	L17TF0901112		
17TF0901114	L	L17TF0901114		
17TF0901115	L	L17TF0901115		
17TF0902100	L	L17TF0902100		
17TF0902101	L	L17TF0902101		
17TF0902102	L	L17TF0902102		
17TF0902104	L	L17TF0902104		
17TF0902105	L	L17TF0902105		
17TF0902111	L	L17TF0902111		
17TF0902112	L	L17TF0902112		
17TF0902114	L	L17TF0902114		
17TF0902115	L	L17TF0902115		
17TF0910100	L	L17TF0910100		
17TF0910101	L	L17TF0910101		
17TF0910102	L	L17TF0910102		
17TF0910104	L	L17TF0910104		
17TF0910105	L	L17TF0910105		
17TF0910111	L	L17TF0910111		
17TF0910112	L	L17TF0910112		
17TF0910114	L	L17TF0910114		
17TF0910115	L	L17TF0910115		
17TF0911100	L	L17TF0911100		
17TF0911101	L	L17TF0911101		
17TF0911102	L	L17TF0911102		
17TF0911104	L	L17TF0911104		
17TF0911105	L	L17TF0911105		
17TF0911111	L	L17TF0911111		
17TF0911112	L	L17TF0911112		
17TF0911114	L	L17TF0911114		

ASF "own" and original PN's not RoHs		Compliant RoHs PN's WITH or WHITHOUT " L " to be ordered with " L "		
		Compliant PN's since the 1st of July 2005 to be ordered with " L "		
		PN's not RoHs, to be ordered WITHOUT the " L " until new information		
Original Part Numbers		RoHs part numbers (all connectors are with tinned shells)	What has changed to be RoHs	To be changed to be RoHs
17TF0911115	L	L17TF0911115		
17TF0912100	L	L17TF0912100		
17TF0912101	L	L17TF0912101		
17TF0912102	L	L17TF0912102		
17TF0912104	L	L17TF0912104		
17TF0912105	L	L17TF0912105		
17TF0912111	L	L17TF0912111		
17TF0912112	L	L17TF0912112		
17TF0912114	L	L17TF0912114		
17TF0912115	L	L17TF0912115		
17TF1500100	L	L17TF1500100		
17TF1500101	L	L17TF1500101		
17TF1500102	L	L17TF1500102		
17TF1500104	L	L17TF1500104		
17TF1500105	L	L17TF1500105		
17TF1500111	L	L17TF1500111		
17TF1500112	L	L17TF1500112		
17TF1500114	L	L17TF1500114		
17TF1500115	L	L17TF1500115		
17TF1501100	L	L17TF1501100		
17TF1501101	L	L17TF1501101		
17TF1501102	L	L17TF1501102		
17TF1501104	L	L17TF1501104		
17TF1501105	L	L17TF1501105		
17TF1501111	L	L17TF1501111		
17TF1501112	L	L17TF1501112		
17TF1501114	L	L17TF1501114		
17TF1501115	L	L17TF1501115		
17TF1502100	L	L17TF1502100		
17TF1502101	L	L17TF1502101		
17TF1502102	L	L17TF1502102		
17TF1502104	L	L17TF1502104		
17TF1502105	L	L17TF1502105		

ASF "own" and original PN's not RoHs

Compliant RoHs PN's WITH or WHITHOUT " L " → to be ordered with " L "

Compliant PN's since the 1st of July 2005 → to be ordered with " L "

PN's not RoHs, to be ordered WITHOUT the " L " until new information

Original Part Numbers		RoHs part numbers (all connectors are with tinned shells)	What has changed to be RoHs	To be changed to be RoHs
17TF1502111	L	L17TF1502111		
17TF1502112	L	L17TF1502112		
17TF1502114	L	L17TF1502114		
17TF1502115	L	L17TF1502115		
17TF1510100	L	L17TF1510100		
17TF1510101	L	L17TF1510101		
17TF1510102	L	L17TF1510102		
17TF1510104	L	L17TF1510104		
17TF1510105	L	L17TF1510105		
17TF1510111	L	L17TF1510111		
17TF1510112	L	L17TF1510112		
17TF1510114	L	L17TF1510114		
17TF1510115	L	L17TF1510115		
17TF1511100	L	L17TF1511100		
17TF1511101	L	L17TF1511101		
17TF1511102	L	L17TF1511102		
17TF1511104	L	L17TF1511104		
17TF1511105	L	L17TF1511105		
17TF1511111	L	L17TF1511111		
17TF1511112	L	L17TF1511112		
17TF1511114	L	L17TF1511114		
17TF1511115	L	L17TF1511115		
17TF1512100	L	L17TF1512100		
17TF1512101	L	L17TF1512101		
17TF1512102	L	L17TF1512102		
17TF1512104	L	L17TF1512104		
17TF1512105	L	L17TF1512105		
17TF1512111	L	L17TF1512111		
17TF1512112	L	L17TF1512112		
17TF1512114	L	L17TF1512114		
17TF1512115	L	L17TF1512115		
17TF2500100	L	L17TF2500100		
17TF2500101	L	L17TF2500101		

Original Part Numbers		RoHs part numbers (all connectors are with tinned shells)	What has changed to be RoHs	To be changed to be RoHs
17TF2500102	L	L17TF2500102		
17TF2500104	L	L17TF2500104		
17TF2500105	L	L17TF2500105		
17TF2500111	L	L17TF2500111		
17TF2500112	L	L17TF2500112		
17TF2500114	L	L17TF2500114		
17TF2500115	L	L17TF2500115		
17TF2501100	L	L17TF2501100		
17TF2501101	L	L17TF2501101		
17TF2501102	L	L17TF2501102		
17TF2501104	L	L17TF2501104		
17TF2501105	L	L17TF2501105		
17TF2501111	L	L17TF2501111		
17TF2501112	L	L17TF2501112		
17TF2501114	L	L17TF2501114		
17TF2501115	L	L17TF2501115		
17TF2502100	L	L17TF2502100		
17TF2502101	L	L17TF2502101		
17TF2502102	L	L17TF2502102		
17TF2502104	L	L17TF2502104		
17TF2502105	L	L17TF2502105		
17TF2502111	L	L17TF2502111		
17TF2502112	L	L17TF2502112		
17TF2502114	L	L17TF2502114		
17TF2502115	L	L17TF2502115		
17TF2510100	L	L17TF2510100		
17TF2510101	L	L17TF2510101		
17TF2510102	L	L17TF2510102		
17TF2510104	L	L17TF2510104		
17TF2510105	L	L17TF2510105		
17TF2510111	L	L17TF2510111		
17TF2510112	L	L17TF2510112		
17TF2510114	L	L17TF2510114		

ASF "own" and original PN's not RoHs

Compliant RoHs PN's WITH or WHITHOUT " L " -to be ordered with " L "

Compliant PN's since the 1st of July 2005 -to be ordered with " L "

PN's not RoHs, to be ordered WITHOUT the " L " untill new information

ASF "own" and original PN's not RoHs		Compliant RoHs PN's WITH or WHITHOUT " L " →to be ordered with " L "		
		Compliant PN's since the 1st of July 2005 →to be ordered with " L "		
		PN's not RoHs, to be ordered WITHOUT the " L " untill new information		
Original Part Numbers		RoHs part numbers (all connectors are with tinned shells)	What has changed to be RoHs	To be changed to be RoHs
17TF2510115	L	L17TF2510115		
17TF2511100	L	L17TF2511100		
17TF2511101	L	L17TF2511101		
17TF2511102	L	L17TF2511102		
17TF2511104	L	L17TF2511104		
17TF2511105	L	L17TF2511105		
17TF2511111	L	L17TF2511111		
17TF2511112	L	L17TF2511112		
17TF2511114	L	L17TF2511114		
17TF2511115	L	L17TF2511115		
17TF2512100	L	L17TF2512100		
17TF2512101	L	L17TF2512101		
17TF2512102	L	L17TF2512102		
17TF2512104	L	L17TF2512104		
17TF2512105	L	L17TF2512105		
17TF2512111	L	L17TF2512111		
17TF2512112	L	L17TF2512112		
17TF2512114	L	L17TF2512114		
17TF2512115	L	L17TF2512115		
17TF3700100	L	L17TF3700100		
17TF3700101	L	L17TF3700101		
17TF3700102	L	L17TF3700102		
17TF3700104	L	L17TF3700104		
17TF3700105	L	L17TF3700105		
17TF3700111	L	L17TF3700111		
17TF3700112	L	L17TF3700112		
17TF3700114	L	L17TF3700114		
17TF3700115	L	L17TF3700115		
17TF3701100	L	L17TF3701100		
17TF3701101	L	L17TF3701101		
17TF3701102	L	L17TF3701102		
17TF3701104	L	L17TF3701104		
17TF3701105	L	L17TF3701105		

ASF "own" and original PN's not RoHs		Compliant RoHs PN's WITH or WHITHOUT " L " to be ordered with " L "		
		Compliant PN's since the 1st of July 2005 to be ordered with " L "		
		PN's not RoHs, to be ordered WITHOUT the " L " untill new information		
Original Part Numbers		RoHs part numbers (all connectors are with tinned shells)	What has changed to be RoHs	To be changed to be RoHs
17TF3701111	L	L17TF3701111		
17TF3701112	L	L17TF3701112		
17TF3701114	L	L17TF3701114		
17TF3701115	L	L17TF3701115		
17TF3702100	L	L17TF3702100		
17TF3702101	L	L17TF3702101		
17TF3702102	L	L17TF3702102		
17TF3702104	L	L17TF3702104		
17TF3702105	L	L17TF3702105		
17TF3702111	L	L17TF3702111		
17TF3702112	L	L17TF3702112		
17TF3702114	L	L17TF3702114		
17TF3702115	L	L17TF3702115		
17TF3710100	L	L17TF3710100		
17TF3710101	L	L17TF3710101		
17TF3710102	L	L17TF3710102		
17TF3710104	L	L17TF3710104		
17TF3710105	L	L17TF3710105		
17TF3710111	L	L17TF3710111		
17TF3710112	L	L17TF3710112		
17TF3710114	L	L17TF3710114		
17TF3710115	L	L17TF3710115		
17TF3711100	L	L17TF3711100		
17TF3711101	L	L17TF3711101		
17TF3711102	L	L17TF3711102		
17TF3711104	L	L17TF3711104		
17TF3711105	L	L17TF3711105		
17TF3711111	L	L17TF3711111		
17TF3711112	L	L17TF3711112		
17TF3711114	L	L17TF3711114		
17TF3711115	L	L17TF3711115		
17TF3712100	L	L17TF3712100		
17TF3712101	L	L17TF3712101		

ASF "own" and original PN's not RoHs		Compliant RoHs PN's WITH or WHITHOUT " L " to be ordered with " L "		
		Compliant PN's since the 1st of July 2005 to be ordered with " L "		
		PN's not RoHs, to be ordered WITHOUT the " L " untill new information		
Original Part Numbers		RoHs part numbers (all connectors are with tinned shells)	What has changed to be RoHs	To be changed to be RoHs
17TF3712102	L	L17TF3712102		
17TF3712104	L	L17TF3712104		
17TF3712105	L	L17TF3712105		
17TF3712111	L	L17TF3712111		
17TF3712112	L	L17TF3712112		
17TF3712114	L	L17TF3712114		
17TF3712115	L	L17TF3712115		
17TWA11W1P	L	L717TWA11W1P	Shells : from Zinc to Tin	
17TWA11W1S	L	L77TWA11W1S		Cts Tails :from tin-lead to tin or gold
17TWA3W3P	L	L717TWA3W3P	Shells : from Zinc to Tin	
17TWA3W3P3R	L	L717TWA3W3P3R	Shells : from Zinc to Tin	
17TWA3W3PEP2V3RRM6	L	L717TWA3W3PEP2V3RRM6	Shells : from Zinc to Tin	
17TWA3W3PEP2V4F	L	L717TWA3W3PEP2V4F	Shells : from Zinc to Tin	
17TWA3W3PEP3V3RRM6	L	L717TWA3W3PEP3V3RRM6	Shells : from Zinc to Tin	
17TWA3W3PMP2V4RRM6	L	L717TWA3W3PMP2V4RRM6	Shells : from Zinc to Tin	
17TWA3W3PP2Y	L	L717TWA3W3PP2Y	Shells : from Zinc to Tin	
17TWA3W3S	L	L77TWA3W3S	Shells : from Zinc to Tin	
17TWA3W3S3R	L	L77TWA3W3S3R	Shells : from Zinc to Tin	
17TWA3W3S4R	L	L77TWA3W3S4R	Shells : from Zinc to Tin	
17TWA3W3SEP2V4FRM6	L	L77TWA3W3SEP2V4FRM6	Shells : from Zinc to Tin	
17TWA3W3SP2Y	L	L77TWA3W3SP2Y	Shells : from Zinc to Tin	
17TWA3W3SP3Y	L	L77TWA3W3SP3Y	Shells : from Zinc to Tin	
17TWA7W2P	L	L717TWA7W2P	Shells : from Zinc to Tin	
17TWA7W2PEP2SV4F	L	L717TWA7W2PEP2SV4F		Cts Tails :from tin-lead to tin or gold
17TWA7W2S	L	L77TWA7W2S		Cts Tails :from tin-lead to tin or gold
17TWA7W2SMSV4RRM6	L	L77TWA7W2SMSV4RRM6		Cts Tails :from tin-lead to tin or gold
17TWA7W2SSY	L	L77TWA7W2SSY		Cts Tails :from tin-lead to tin or gold
17TWB13W3P	L	L717TWB13W3P	Shells : from Zinc to Tin	
17TWB13W3PP3SY	L	L717TWB13W3PP3SY	Shells : from Zinc to Tin	
17TWB13W3S	L	L77TWB13W3S		Cts Tails :from tin-lead to tin or gold
17TWB17W2P	L	L717TWB17W2P	Shells : from Zinc to Tin	
17TWB17W2PEP3SV3F	L	L717TWB17W2PEP3SV3F		Cts Tails :from tin-lead to tin or gold
17TWB17W2PEP3SV3FRM6	L	L717TWB17W2PEP3SV3FRM6		Cts Tails :from tin-lead to tin or gold

ASF "own" and original PN's not RoHs		Compliant RoHs PN's WITH or WITHOUT " L " to be ordered with " L "		
		Compliant PN's since the 1st of July 2005 to be ordered with " L "		
		PN's not RoHs, to be ordered WITHOUT the " L " until new information		
Original Part Numbers		RoHs part numbers (all connectors are with tinned shells)	What has changed to be RoHs	To be changed to be RoHs
17TWB17W2PHCSVRM6	L	L717TWB17W2PHCSVRM6		Cts Tails :from tin-lead to tin or gold
17TWB17W2PMCSV4R	L	L717TWB17W2PMCSV4R		Cts Tails :from tin-lead to tin or gold
17TWB17W2S	L	L77TWB17W2S		Cts Tails :from tin-lead to tin or gold
17TWB17W2SESV3FRM6	L	L77TWB17W2SESV3FRM6		Cts Tails :from tin-lead to tin or gold
17TWB21W1P	L	L717TWB21W1P	Shells : from Zinc to Tin	
17TWB21W1S	L	L77TWB21W1S		Cts Tails :from tin-lead to tin or gold
17TWB5W5P	L	L717TWB5W5P	Shells : from Zinc to Tin	
17TWB5W5P3R	L	L717TWB5W5P3R	Shells : from Zinc to Tin	
17TWB5W5PMCV	L	L717TWB5W5PMCV	Shells : from Zinc to Tin	
17TWB5W5PP2YRM84	L	L717TWB5W5PP2YRM84	Shells : from Zinc to Tin	
17TWB5W5PP3Y	L	L717TWB5W5PP3Y	Shells : from Zinc to Tin	
17TWB5W5PP3Y4R	L	L717TWB5W5PP3Y4R	Shells : from Zinc to Tin	
17TWB5W5S	L	L77TWB5W5S	Shells : from Zinc to Tin	
17TWB5W5S3R	L	L77TWB5W5S3R	Shells : from Zinc to Tin	
17TWB5W5SHCV4FRM6	L	L77TWB5W5SHCV4FRM6	Shells : from Zinc to Tin	
17TWB5W5SP2Y	L	L77TWB5W5SP2Y	Shells : from Zinc to Tin	
17TWB5W5SP3Y	L	L77TWB5W5SP3Y	Shells : from Zinc to Tin	
17TWB5W5SP3Y4R	L	L77TWB5W5SP3Y4R	Shells : from Zinc to Tin	
17TWB5W5SP3YRM54	L	L77TWB5W5SP3YRM54	Shells : from Zinc to Tin	
17TWB9W4P	L	L717TWB9W4P	Shells : from Zinc to Tin	
17TWB9W4PMP2SV	L	L717TWB9W4PMP2SV		Cts Tails :from tin-lead to tin or gold
17TWB9W4PP3SY4R	L	L717TWB9W4PP3SY4R	Shells : from Zinc to Tin	
17TWB9W4S	L	L77TWB9W4S		Cts Tails :from tin-lead to tin or gold
17TWB9W4SMCSV4R	L	L77TWB9W4SMCSV4R		Cts Tails :from tin-lead to tin or gold
17TWB9W4SP2SY3R	L	L77TWB9W4SP2SY3R		Cts Tails :from tin-lead to tin or gold
17TWB9W4SP2SYRM84	L	L77TWB9W4SP2SYRM84		Cts Tails :from tin-lead to tin or gold
17TWC13W6P	L	L717TWC13W6P	Shells : from Zinc to Tin	
17TWC13W6PP2SY	L	L717TWC13W6PP2SY	Shells : from Zinc to Tin	
17TWC13W6PP3SY	L	L717TWC13W6PP3SY	Shells : from Zinc to Tin	
17TWC13W6S	L	L77TWC13W6S		Cts Tails :from tin-lead to tin or gold
17TWC13W6SP2SY	L	L77TWC13W6SP2SY		Cts Tails :from tin-lead to tin or gold
17TWC17W5P	L	L717TWC17W5P	Shells : from Zinc to Tin	
17TWC17W5PP3SY	L	L717TWC17W5PP3SY	Shells : from Zinc to Tin	

ASF "own" and original PN's not RoHs		Compliant RoHs PN's WITH or WHITHOUT " L " to be ordered with " L "		
		Compliant PN's since the 1st of July 2005 to be ordered with " L "		
		PN's not RoHs, to be ordered WITHOUT the " L " untill new information		
Original Part Numbers		RoHs part numbers (all connectors are with tinned shells)	What has changed to be RoHs	To be changed to be RoHs
17TWC17W5PSY	L	L717TWC17W5PSY	Shells : from Zinc to Tin	
17TWC17W5S	L	L77TWC17W5S		Cts Tails :from tin-lead to tin or gold
17TWC17W5SP3SY	L	L717TWC17W5SP3SY		Cts Tails :from tin-lead to tin or gold
17TWC21WA4P	L	L717TWC21WA4P	Shells : from Zinc to Tin	
17TWC21WA4PHCSV	L	L717TWC21WA4PHCSV		Cts Tails :from tin-lead to tin or gold
17TWC21WA4PMP3SV4FRM6	L	L717TWC21WA4PMP3SV4FRM6		Cts Tails :from tin-lead to tin or gold
17TWC21WA4PMP3SV4RRM6	L	L717TWC21WA4PMP3SV4RRM6		Cts Tails :from tin-lead to tin or gold
17TWC21WA4PP3SYRM84	L	L717TWC21WA4PP3SYRM84	Shells : from Zinc to Tin	
17TWC21WA4S	L	L77TWC21WA4S		Cts Tails :from tin-lead to tin or gold
17TWC21WA4SHCSV	L	L77TWC21WA4SHCSV		Cts Tails :from tin-lead to tin or gold
17TWC21WA4SMCSVRM6	L	L77TWC21WA4SMCSVRM6		Cts Tails :from tin-lead to tin or gold
17TWC21WA4SMP3SV	L	L77TWC21WA4SMP3SV		Cts Tails :from tin-lead to tin or gold
17TWC21WA4SMP3SV4FRM6	L	L77TWC21WA4SMP3SV4FRM6		Cts Tails :from tin-lead to tin or gold
17TWC21WA4SMP3SV4R	L	L77TWC21WA4SMP3SV4R		Cts Tails :from tin-lead to tin or gold
17TWC21WA4SMP3SV4RRM6	L	L77TWC21WA4SMP3SV4RRM6		Cts Tails :from tin-lead to tin or gold
17TWC21WA4SP3SYRM84	L	L77TWC21WA4SP3SYRM84		Cts Tails :from tin-lead to tin or gold
17TWC21WA4SSY	L	L77TWC21WA4SSY		Cts Tails :from tin-lead to tin or gold
17TWC25W3P	L	L717TWC25W3P	Shells : from Zinc to Tin	
17TWC25W3S	L	L77TWC25W3S		Cts Tails :from tin-lead to tin or gold
17TWC27W2P	L	L717TWC27W2P	Shells : from Zinc to Tin	
17TWC27W2PMCSV3F	L	L717TWC27W2PMCSV3F		Cts Tails :from tin-lead to tin or gold
17TWC27W2PMP3SV4FRM6	L	L717TWC27W2PMP3SV4FRM6		Cts Tails :from tin-lead to tin or gold
17TWC27W2PP3SYRM84	L	L717TWC27W2PP3SYRM84	Shells : from Zinc to Tin	
17TWC27W2S	L	L77TWC27W2S		Cts Tails :from tin-lead to tin or gold
17TWC27W2SFM	L	L77TWC27W2SFM		Cts Tails :from tin-lead to tin or gold
17TWC27W2SMP3SV4FRM6	L	L77TWC27W2SMP3SV4FRM6		Cts Tails :from tin-lead to tin or gold
17TWC27W2SMP3SV4R	L	L77TWC27W2SMP3SV4R		Cts Tails :from tin-lead to tin or gold
17TWC27W2SMP3SV4RRM6	L	L77TWC27W2SMP3SV4RRM6		Cts Tails :from tin-lead to tin or gold
17TWC27W2SP3SYRM84	L	L77TWC27W2SP3SYRM84		Cts Tails :from tin-lead to tin or gold
17TWC8W8P	L	L717TWC8W8P	Shells : from Zinc to Tin	
17TWC8W8PMCV	L	L717TWC8W8PMCV	Shells : from Zinc to Tin	
17TWC8W8PP2Y	L	L717TWC8W8PP2Y	Shells : from Zinc to Tin	
17TWC8W8PP3Y	L	L717TWC8W8PP3Y	Shells : from Zinc to Tin	

ASF "own" and original PN's not RoHs		Compliant RoHs PN's WITH or WHITHOUT " L " to to be ordered with " L "		
		Compliant PN's since the 1st of July 2005 to to be ordered with " L "		
		PN's not RoHs, to be ordered WITHOUT the " L " until new information		
Original Part Numbers		RoHs part numbers (all connectors are with tinned shells)	What has changed to be RoHs	To be changed to be RoHs
17TWC8W8S	L	L77TWC8W8S	Shells : from Zinc to Tin	
17TWC8W8SMCV4R	L	L77TWC8W8SMCV4R	Shells : from Zinc to Tin	
17TWC8W8SP2Y	L	L77TWC8W8SP2Y	Shells : from Zinc to Tin	
17TWC8W8SP3Y	L	L77TWC8W8SP3Y	Shells : from Zinc to Tin	
17TWC8W8SP3Y	L	L77TWC8W8SP3Y	Shells : from Zinc to Tin	
17TWCF21WA4S	L	L77TWCF21WA4S		Cts Tails :from tin-lead to tin or gold
17TWD24W7P	L	L717TWD24W7P	Shells : from Zinc to Tin	
17TWD24W7PP2SY	L	L717TWD24W7PP2SY	Shells : from Zinc to Tin	
17TWD24W7PP3SY3F	L	L717TWD24W7PP3SY3F	Shells : from Zinc to Tin	
17TWD24W7S	L	L77TWD24W7S		Cts Tails :from tin-lead to tin or gold
17TWD24W7SP3SY3F	L	L77TWD24W7SP3SY3F		Cts Tails :from tin-lead to tin or gold
17TWD36W4P	L	L717TWD36W4P	Shells : from Zinc to Tin	
17TWD36W4S	L	L77TWD36W4S		Cts Tails :from tin-lead to tin or gold
17TWD43W2P	L	L717TWD43W2P	Shells : from Zinc to Tin	
17TWD43W2S	L	L77TWD43W2S		Cts Tails :from tin-lead to tin or gold
17TWDF36W4S	L	L77TWDF36W4S		Cts Tails :from tin-lead to tin or gold
17TWE5W1P	L	L717TWE5W1P	Shells : from Zinc to Tin	
17TWE5W1P4F	L	L717TWE5W1P4F	Shells : from Zinc to Tin	
17TWE5W1S	L	L77TWE5W1S		Cts Tails :from tin-lead to tin or gold
17TWE5W1S4F	L	L77TWE5W1S4F		Cts Tails :from tin-lead to tin or gold
717DA15P	L	L717DA15P		
717DA15P1AMN	L	L717DA15P1AMN		Cts Tails :from tin-lead to tin or gold
717DA15P1AMNRM6	L	L717DA15P1AMNRM6		Cts Tails :from tin-lead to tin or gold
717DA15P1AON	L	L717DA15P1AON		Cts Tails :from tin-lead to tin or gold
717DA15P1AONC309	L	L717DA15P1AONC309		Cts Tails :from tin-lead to tin or gold
717DA15P1APN	L	L717DA15P1APN		Cts Tails :from tin-lead to tin or gold
717DA15PC309	L	L717DA15PC309		
717DA15PF179	L	L717DA15PF179		
717DA15PF179A	L	L717DA15PF179A		
717DA15POL2	L	L717DA15POL2		
717DA15POL2C309	L	L717DA15POL2C309		
717DA15POL2RM8	L	L717DA15POL2RM8		
717DA15POL2VF	L	L717DA15POL2VF		
717DA15PST	L	L717DA15PST		

ASF "own" and original PN's not RoHs		Compliant RoHs PN's WITH or WHITHOUT " L " to be ordered with " L "		
		Compliant PN's since the 1st of July 2005 to be ordered with " L "		
		PN's not RoHs, to be ordered WITHOUT the " L " untill new information		
Original Part Numbers		RoHs part numbers (all connectors are with tinned shells)	What has changed to be RoHs	To be changed to be RoHs
717DA15PST1	L	L717DA15PST1		
717DA15PST2	L	L717DA15PST2		
717DA15PST3	L	L717DA15PST3		
717DA15PST4	L	L717DA15PST4		
717DA15PSTC309	L	L717DA15PSTC309		
717DA15PTR063	L	L717DA15PTR063		
717DAG15P	L	L717DAG15P		
717DAG15POL2RM5	L	L717DAG15POL2RM5		
717DAH15P	L	L717DAH15P		
717DAH15P1AON	L	L717DAH15P1AON		Cts Tails :from tin-lead to tin or gold
717DAH15PU	L	L717DAH15PU		
717DAM11W1P	L	L717DAM11W1P		
717DAM3W3P	L	L717DAM3W3P		
717DAM3W3PARM6	L	L717DAM3W3PARM6		Cts Tails :from tin-lead to tin or gold
717DAM3W3PRM8	L	L717DAM3W3PRM8		
717DAM7W2P	L	L717DAM7W2P		
717DAM7W2POL3	L	L717DAM7W2POL3		
717DAM7W2POL3RM8	L	L717DAM7W2POL3RM8		
717DAMG3W3P	L	L717DAMG3W3P		
717DAMG3W3P1AMNRM6	L	L717DAMG3W3P1AMNRM6		Cts Tails :from tin-lead to tin or gold
717DAMG3W3PRM5	L	L717DAMG3W3PRM5		
717DAMH3W3P	L	L717DAMH3W3P		
717DAMH3W3PRM5	L	L717DAMH3W3PRM5		
717DB25P	L	L717DB25P		
717DB25P1AMN	L	L717DB25P1AMN		Cts Tails :from tin-lead to tin or gold
717DB25P1AMNRM6	L	L717DB25P1AMNRM6		Cts Tails :from tin-lead to tin or gold
717DB25P1AON	L	L717DB25P1AON		Cts Tails :from tin-lead to tin or gold
717DB25P1APN	L	L717DB25P1APN		Cts Tails :from tin-lead to tin or gold
717DB25P1BPN	L	L717DB25P1BPN		Cts Tails :from tin-lead to tin or gold
717DB25PC	L	L717DB25PC		Cts Tails :from tin-lead to tin or gold
717DB25PC309	L	L717DB25PC309		
717DB25PCVF	L	L717DB25PCVF		Cts Tails :from tin-lead to tin or gold
717DB25PF179	L	L717DB25PF179		

ASF "own" and original PN's not RoHs		Compliant RoHs PN's WITH or WHITHOUT " L " →to be ordered with " L "		
		Compliant PN's since the 1st of July 2005 →to be ordered with " L "		
		PN's not RoHs, to be ordered WITHOUT the " L " untill new information		
Original Part Numbers		RoHs part numbers (all connectors are with tinned shells)	What has changed to be RoHs	To be changed to be RoHs
717DB25PF179A	L	L717DB25PF179A		
717DB25POL2	L	L717DB25POL2		
717DB25POL2RM8	L	L717DB25POL2RM8		
717DB25POL2VF	L	L717DB25POL2VF		
717DB25PST	L	L717DB25PST		
717DB25PST1	L	L717DB25PST1		
717DB25PST2	L	L717DB25PST2		
717DB25PST3	L	L717DB25PST3		
717DB25PST4	L	L717DB25PST4		
717DB25PT	L	L717DB25PT		
717DB25PTR063	L	L717DB25PTR063		
717DBF25P	L	L717DBF25P		
717DBG25P	L	L717DBG25P		
717DBG25P1APN	L	L717DBG25P1APN		Cts Tails :from tin-lead to tin or gold
717DBG25POL2	L	L717DBG25POL2		
717DBH25PF179	L	L717DBH25PF179		
717DBH25POL2	L	L717DBH25POL2		
717DBH25POL2RM5	L	L717DBH25POL2RM5		
717DBH25PT	L	L717DBH25PT		
717DBH25PTRM5	L	L717DBH25PTRM5		
717DBM13W3P	L	L717DBM13W3P		
717DBM17W2P	L	L717DBM17W2P		
717DBM17W2P1AMN	L	L717DBM17W2P1AMN		
717DBM17W2POL3	L	L717DBM17W2POL3		
717DBM21W1P	L	L717DBM21W1P		
717DBM21W1POL3	L	L717DBM21W1POL3		
717DBM5W5P	L	L717DBM5W5P		
717DBM9W4P	L	L717DBM9W4P		
717DBMF5W5P	L	L717DBMF5W5P		
717DBMG5W5PRM5	L	L717DBMG5W5PRM5		
717DBMG9W4POL3RM5	L	L717DBMG9W4POL3RM5		
717DC37P	L	L717DC37P		
717DC37P1AMN	L	L717DC37P1AMN		Cts Tails :from tin-lead to tin or gold

ASF "own" and original PN's not RoHs		Compliant RoHs PN's WITH or WHITHOUT " L " to be ordered with " L "		
		Compliant PN's since the 1st of July 2005 to be ordered with " L "		
		PN's not RoHs, to be ordered WITHOUT the " L " untill new information		
Original Part Numbers		RoHs part numbers (all connectors are with tinned shells)	What has changed to be RoHs	To be changed to be RoHs
717DC37P1AON	L	L717DC37P1AON		Cts Tails :from tin-lead to tin or gold
717DC37P1APN	L	L717DC37P1APN		Cts Tails :from tin-lead to tin or gold
717DC37P1ATN	L	L717DC37P1ATN		Cts Tails :from tin-lead to tin or gold
717DC37PF179A	L	L717DC37PF179A		
717DC37POL2	L	L717DC37POL2		
717DC37POL2R063	L	L717DC37POL2R063		
717DC37POL2RM8	L	L717DC37POL2RM8		
717DC37PTR063	L	L717DC37PTR063		
717DCG37POL2RM5	L	L717DCG37POL2RM5		
717DCH37PA	L	L717DCH37PA		Cts Tails :from tin-lead to tin or gold
717DCM13W6POL3	L	L717DCM13W6POL3		
717DCM17W5P	L	L717DCM17W5P		
717DCM17W5PF179	L	L717DCM17W5PF179		
717DCM21WA4P	L	L717DCM21WA4P		
717DCM21WA4P1AMNVFM	L	L717DCM21WA4P1AMNVFM		Cts Tails :from tin-lead to tin or gold
717DCM21WA4P1APN	L	L717DCM21WA4P1APN		Cts Tails :from tin-lead to tin or gold
717DCM21WA4P1ATN	L	L717DCM21WA4P1ATN		Cts Tails :from tin-lead to tin or gold
717DCM21WA4POL3RM8	L	L717DCM21WA4POL3RM8		
717DCM25W3P	L	L717DCM25W3P		
717DCM8W8P	L	L717DCM8W8P		
717DCMF27W2P	L	L717DCMF27W2P		
717DCMG21WA4POL3RM5	L	L717DCMG21WA4POL3RM5		
717DCMG8W8PRM5	L	L717DCMG8W8PRM5		
717DD50P	L	L717DD50P		
717DD50P1AUN	L	L717DD50P1AUN		Cts Tails :from tin-lead to tin or gold
717DD50PA	L	L717DD50PA		Cts Tails :from tin-lead to tin or gold
717DD50PAM4	L	L717DD50PAM4		Cts Tails :from tin-lead to tin or gold
717DD50PC309	L	L717DD50PC309		
717DD50PF179A	L	L717DD50PF179A		
717DD50POL2	L	L717DD50POL2		
717DD50POL2RM8	L	L717DD50POL2RM8		
717DD50PTR063	L	L717DD50PTR063		
717DDG50PAM4RM6	L	L717DDG50PAM4RM6		Cts Tails :from tin-lead to tin or gold

ASF "own" and original PN's not RoHs		Compliant RoHs PN's WITH or WHITHOUT " L " to be ordered with " L "		
		Compliant PN's since the 1st of July 2005 to be ordered with " L "		
		PN's not RoHs, to be ordered WITHOUT the " L " untill new information		
Original Part Numbers		RoHs part numbers (all connectors are with tinned shells)	What has changed to be RoHs	To be changed to be RoHs
717DDH50PAM4RM6	L	L717DDH50PAM4RM6		Cts Tails :from tin-lead to tin or gold
717DDM24W7P	L	L717DDM24W7P		
717DDM24W7P1APN	L	L717DDM24W7P1APN		Cts Tails :from tin-lead to tin or gold
717DDM36W4P	L	L717DDM36W4P		
717DDM36W4P1AON	L	L717DDM36W4P1AON		Cts Tails :from tin-lead to tin or gold
717DE09P	L	L717DE09P		
717DE09P1ACH3F	L	L717DE09P1ACH3F		Cts Tails :from tin-lead to tin or gold
717DE09P1AMN	L	L717DE09P1AMN		Cts Tails :from tin-lead to tin or gold
717DE09P1AMNC309	L	L717DE09P1AMNC309		Cts Tails :from tin-lead to tin or gold
717DE09P1AMNRM6	L	L717DE09P1AMNRM6		Cts Tails :from tin-lead to tin or gold
717DE09P1AON	L	L717DE09P1AON		Cts Tails :from tin-lead to tin or gold
717DE09P1APN	L	L717DE09P1APN		Cts Tails :from tin-lead to tin or gold
717DE09P1APNC309	L	L717DE09P1APNC309		Cts Tails :from tin-lead to tin or gold
717DE09P1AUN	L	L717DE09P1AUN		Cts Tails :from tin-lead to tin or gold
717DE09P1BUN	L	L717DE09P1BUN		Cts Tails :from tin-lead to tin or gold
717DE09PA	L	L717DE09PA		Cts Tails :from tin-lead to tin or gold
717DE09PA4	L	L717DE09PA4		Cts Tails :from tin-lead to tin or gold
717DE09PAM4	L	L717DE09PAM4		Cts Tails :from tin-lead to tin or gold
717DE09PAM4B	L	L717DE09PAM4B		Cts Tails :from tin-lead to tin or gold
717DE09PC	L	L717DE09PC		Cts Tails :from tin-lead to tin or gold
717DE09PC309	L	L717DE09PC309		
717DE09PF179	L	L717DE09PF179		
717DE09PF179A	L	L717DE09PF179A		
717DE09POL2	L	L717DE09POL2		
717DE09POL2C309	L	L717DE09POL2C309		
717DE09POL2R063	L	L717DE09POL2R063		
717DE09POL2RM8	L	L717DE09POL2RM8		
717DE09PST	L	L717DE09PST		
717DE09PST1	L	L717DE09PST1		
717DE09PST2	L	L717DE09PST2		
717DE09PST3	L	L717DE09PST3		
717DE09PST4	L	L717DE09PST4		
717DE09PT	L	L717DE09PT		

ASF "own" and original PN's not RoHs		Compliant RoHs PN's WITH or WHITHOUT " L " to be ordered with " L "		
		Compliant PN's since the 1st of July 2005 to be ordered with " L "		
		PN's not RoHs, to be ordered WITHOUT the " L " untill new information		
Original Part Numbers		RoHs part numbers (all connectors are with tinned shells)	What has changed to be RoHs	To be changed to be RoHs
717DE09PTR063	L	L717DE09PTR063		
717DE09PVF	L	L717DE09PVF		
717DEF09P	L	L717DEF09P		
717DEF09POL2	L	L717DEF09POL2		
717DEG09P	L	L717DEG09P		
717DEG09P1AMN	L	L717DEG09P1AMN		Cts Tails :from tin-lead to tin or gold
717DEG09P1AMNRM6	L	L717DEG09P1AMNRM6		Cts Tails :from tin-lead to tin or gold
717DEG09P1APN	L	L717DEG09P1APN		Cts Tails :from tin-lead to tin or gold
717DEG09POL2	L	L717DEG09POL2		
717DEG09POL2RM5	L	L717DEG09POL2RM5		
717DEH09P1AMNC309	L	L717DEH09P1AMNC309		Cts Tails :from tin-lead to tin or gold
717DEH09POL2RM5	L	L717DEH09POL2RM5		
717DEH09PU	L	L717DEH09PU		
717DFA15P	L	L717DFA15P		
717DFA15P1ACH3R	L	L717DFA15P1ACH3R		Cts Tails :from tin-lead to tin or gold
717DFA15P1AMN	L	L717DFA15P1AMN		Cts Tails :from tin-lead to tin or gold
717DFA15P1AON	L	L717DFA15P1AON		Cts Tails :from tin-lead to tin or gold
717DFA15P1APN	L	L717DFA15P1APN		Cts Tails :from tin-lead to tin or gold
717DFA15P1ATNRM6	L	L717DFA15P1ATNRM6		Cts Tails :from tin-lead to tin or gold
717DFA15P1BTNRM6	L	L717DFA15P1BTNRM6		Cts Tails :from tin-lead to tin or gold
717DFA15PAJ4RM6VF2	L	L717DFA15PAJ4RM6VF2		Cts Tails :from tin-lead to tin or gold
717DFA15PMP10	L	L717DFA15PMP10		
717DFA15POL2	L	L717DFA15POL2		
717DFA15POL2RM8	L	L717DFA15POL2RM8		
717DFA15PTR063	L	L717DFA15PTR063		
717DFA15PU	L	L717DFA15PU		
717DFAF15PMP10	L	L717DFAF15PMP10		
717DFAG15POL2	L	L717DFAG15POL2		
717DFAG15POL2RM5	L	L717DFAG15POL2RM5		
717DFAH15PF179	L	L717DFAH15PF179		
717DFAH15POL2RM5	L	L717DFAH15POL2RM5		
717DFAH15PTRM5	L	L717DFAH15PTRM5		
717DFB25P	L	L717DFB25P		

ASF "own" and original PN's not RoHs		Compliant RoHs PN's WITH or WHITHOUT " L " to be ordered with " L "		
		Compliant PN's since the 1st of July 2005 to be ordered with " L "		
		PN's not RoHs, to be ordered WITHOUT the " L " untill new information		
Original Part Numbers		RoHs part numbers (all connectors are with tinned shells)	What has changed to be RoHs	To be changed to be RoHs
717DFB25P1ACH	L	L717DFB25P1ACH		Cts Tails :from tin-lead to tin or gold
717DFB25P1ACH3R	L	L717DFB25P1ACH3R		Cts Tails :from tin-lead to tin or gold
717DFB25P1ACH4F	L	L717DFB25P1ACH4F		Cts Tails :from tin-lead to tin or gold
717DFB25P1AMN	L	L717DFB25P1AMN		Cts Tails :from tin-lead to tin or gold
717DFB25P1AMNVFM	L	L717DFB25P1AMNVFM		Cts Tails :from tin-lead to tin or gold
717DFB25P1AON	L	L717DFB25P1AON		Cts Tails :from tin-lead to tin or gold
717DFB25P1APN	L	L717DFB25P1APN		Cts Tails :from tin-lead to tin or gold
717DFB25P1ATNRM6	L	L717DFB25P1ATNRM6		Cts Tails :from tin-lead to tin or gold
717DFB25P1AUN	L	L717DFB25P1AUN		Cts Tails :from tin-lead to tin or gold
717DFB25PAJ4	L	L717DFB25PAJ4		Cts Tails :from tin-lead to tin or gold
717DFB25PAM4B	L	L717DFB25PAM4B		Cts Tails :from tin-lead to tin or gold
717DFB25PC	L	L717DFB25PC		Cts Tails :from tin-lead to tin or gold
717DFB25PF179	L	L717DFB25PF179		
717DFB25PF179A	L	L717DFB25PF179A		
717DFB25PMP10	L	L717DFB25PMP10		
717DFB25POL2	L	L717DFB25POL2		
717DFB25POL2RM8	L	L717DFB25POL2RM8		
717DFB25PU	L	L717DFB25PU		
717DFB25PV	L	L717DFB25PV		
717DFBF25PMP10	L	L717DFBF25PMP10		
717DFBG25P	L	L717DFBG25P		
717DFBG25P1AMN	L	L717DFBG25P1AMN		Cts Tails :from tin-lead to tin or gold
717DFBG25P1AON	L	L717DFBG25P1AON		Cts Tails :from tin-lead to tin or gold
717DFBG25PAZ4	L	L717DFBG25PAZ4		Cts Tails :from tin-lead to tin or gold
717DFBG25PF179	L	L717DFBG25PF179		
717DFBG25POL2	L	L717DFBG25POL2		
717DFBG25POL2RM5	L	L717DFBG25POL2RM5		
717DFBH25P	L	L717DFBH25P		
717DFBH25POL2RM5	L	L717DFBH25POL2RM5		
717DFC37P	L	L717DFC37P		
717DFC37P1ACH3R	L	L717DFC37P1ACH3R		Cts Tails :from tin-lead to tin or gold
717DFC37P1AMN	L	L717DFC37P1AMN		Cts Tails :from tin-lead to tin or gold
717DFC37P1AON	L	L717DFC37P1AON		Cts Tails :from tin-lead to tin or gold

ASF "own" and original PN's not RoHs		Compliant RoHs PN's WITH or WHITHOUT " L " to to be ordered with " L "		
		Compliant PN's since the 1st of July 2005 to to be ordered with " L "		
		PN's not RoHs, to be ordered WITHOUT the " L " untill new information		
Original Part Numbers		RoHs part numbers (all connectors are with tinned shells)	What has changed to be RoHs	To be changed to be RoHs
717DFC37P1APN	L	L717DFC37P1APN		Cts Tails :from tin-lead to tin or gold
717DFC37P1AUN	L	L717DFC37P1AUN		Cts Tails :from tin-lead to tin or gold
717DFC37PMP10	L	L717DFC37PMP10		
717DFC37POL2	L	L717DFC37POL2		
717DFC37POL2RM8	L	L717DFC37POL2RM8		
717DFC37PTR063	L	L717DFC37PTR063		
717DFC37PV	L	L717DFC37PV		
717DFCF37PMP10	L	L717DFCF37PMP10		
717DFCG37P1AMNRM6	L	L717DFCG37P1AMNRM6		Cts Tails :from tin-lead to tin or gold
717DFCG37PF179	L	L717DFCG37PF179		
717DFCH37P1AMNRM6	L	L717DFCH37P1AMNRM6		Cts Tails :from tin-lead to tin or gold
717DFCH37PAM4RM6	L	L717DFCH37PAM4RM6		Cts Tails :from tin-lead to tin or gold
717DFCH37POL2RM5	L	L717DFCH37POL2RM5		
717DFD50P	L	L717DFD50P		
717DFD50P1AMN	L	L717DFD50P1AMN		Cts Tails :from tin-lead to tin or gold
717DFD50P1AMNRM6	L	L717DFD50P1AMNRM6		Cts Tails :from tin-lead to tin or gold
717DFD50P1APN	L	L717DFD50P1APN		Cts Tails :from tin-lead to tin or gold
717DFD50P1ATN	L	L717DFD50P1ATN		Cts Tails :from tin-lead to tin or gold
717DFD50P1ATNRM6	L	L717DFD50P1ATNRM6		Cts Tails :from tin-lead to tin or gold
717DFD50PF179A	L	L717DFD50PF179A		
717DFD50POL2	L	L717DFD50POL2		
717DFD50POL2RM8	L	L717DFD50POL2RM8		
717DFDG50P1AMNRM6	L	L717DFDG50P1AMNRM6		Cts Tails :from tin-lead to tin or gold
717DFDG50PF179A	L	L717DFDG50PF179A		
717DFDH50POL2RM5	L	L717DFDH50POL2RM5		
717DFE09P	L	L717DFE09P		
717DFE09P1ACH3R	L	L717DFE09P1ACH3R		Cts Tails :from tin-lead to tin or gold
717DFE09P1ACH4F	L	L717DFE09P1ACH4F		Cts Tails :from tin-lead to tin or gold
717DFE09P1AMN	L	L717DFE09P1AMN		Cts Tails :from tin-lead to tin or gold
717DFE09P1AON	L	L717DFE09P1AON		Cts Tails :from tin-lead to tin or gold
717DFE09P1APN	L	L717DFE09P1APN		Cts Tails :from tin-lead to tin or gold
717DFE09P1ATN	L	L717DFE09P1ATN		Cts Tails :from tin-lead to tin or gold
717DFE09P1ATNRM6	L	L717DFE09P1ATNRM6		Cts Tails :from tin-lead to tin or gold

ASF "own" and original PN's not RoHs		Compliant RoHs PN's WITH or WHITHOUT " L " to be ordered with " L "		
		Compliant PN's since the 1st of July 2005 to be ordered with " L "		
		PN's not RoHs, to be ordered WITHOUT the " L " untill new information		
Original Part Numbers		RoHs part numbers (all connectors are with tinned shells)	What has changed to be RoHs	To be changed to be RoHs
717DFE09P1BON	L	L717DFE09P1BON		Cts Tails :from tin-lead to tin or gold
717DFE09PAJ3	L	L717DFE09PAJ3		Cts Tails :from tin-lead to tin or gold
717DFE09PAJ4RM6VF2	L	L717DFE09PAJ4RM6VF2		Cts Tails :from tin-lead to tin or gold
717DFE09PF179A	L	L717DFE09PF179A		
717DFE09PMP10	L	L717DFE09PMP10		
717DFE09POL2	L	L717DFE09POL2		
717DFE09POL2R063	L	L717DFE09POL2R063		
717DFE09POL2RM8	L	L717DFE09POL2RM8		
717DFE09PTR063	L	L717DFE09PTR063		
717DFEF09PMP10	L	L717DFEF09PMP10		
717DFEG09PF179	L	L717DFEG09PF179		
717DFEH09P	L	L717DFEH09P		
717DFEH09P1AMNRM6	L	L717DFEH09P1AMNRM6		Cts Tails :from tin-lead to tin or gold
717DFEH09PAM4B	L	L717DFEH09PAM4B		Cts Tails :from tin-lead to tin or gold
717DFEH09POL2RM5	L	L717DFEH09POL2RM5		
717DFEH09PTRM5	L	L717DFEH09PTRM5		
717HDA26P	L	L717HDA26P		
717HDA26PC309	L	L717HDA26PC309		
717HDA26PD1CH3F	L	L717HDA26PD1CH3F		
717HDA26PD1CH3FC309	L	L717HDA26PD1CH3FC309		
717HDA26PD1CH3R	L	L717HDA26PD1CH3R		
717HDA26PD1CH3RC309	L	L717HDA26PD1CH3RC309		
717HDA26PD1CH4F	L	L717HDA26PD1CH4F		
717HDA26PD1CH4FC309	L	L717HDA26PD1CH4FC309		
717HDA26PD1CH4R	L	L717HDA26PD1CH4R		
717HDA26PD1CH4RC309	L	L717HDA26PD1CH4RC309		
717HDA26POL2	L	L717HDA26POL2		
717HDA26POL2C309	L	L717HDA26POL2C309		
717HDA26PVF	L	L717HDA26PVF		
717HDA26PVFC309	L	L717HDA26PVFC309		
717HDA26PVFM	L	L717HDA26PVFM		
717HDA26PVFMC309	L	L717HDA26PVFMC309		
717HDAG26P	L	L717HDAG26P		

ASF "own" and original PN's not RoHs		Compliant RoHs PN's WITH or WHITHOUT " L " to be ordered with " L "		
		Compliant PN's since the 1st of July 2005 to be ordered with " L "		
		PN's not RoHs, to be ordered WITHOUT the " L " untill new information		
Original Part Numbers		RoHs part numbers (all connectors are with tinned shells)	What has changed to be RoHs	To be changed to be RoHs
717HDAG26PC309	L	L717HDAG26PC309		
717HDAG26POL2	L	L717HDAG26POL2		
717HDAG26POL2C309	L	L717HDAG26POL2C309		
717HDAG26POL2RM5	L	L717HDAG26POL2RM5		
717HDAG26POL2RM5C309	L	L717HDAG26POL2RM5C309		
717HDAG26POL2RM8	L	L717HDAG26POL2RM8		
717HDAG26POL2RM8C309	L	L717HDAG26POL2RM8C309		
717HDAH26P	L	L717HDAH26P		
717HDAH26PC309	L	L717HDAH26PC309		
717HDAH26POL2	L	L717HDAH26POL2		
717HDAH26POL2C309	L	L717HDAH26POL2C309		
717HDAH26POL2RM5	L	L717HDAH26POL2RM5		
717HDAH26POL2RM5C309	L	L717HDAH26POL2RM5C309		
717HDAH26POL2RM8	L	L717HDAH26POL2RM8		
717HDAH26POL2RM8C309	L	L717HDAH26POL2RM8C309		
717HDB44P	L	L717HDB44P		
717HDB44PC309	L	L717HDB44PC309		
717HDB44PD1CH3F	L	L717HDB44PD1CH3F		
717HDB44PD1CH3FC309	L	L717HDB44PD1CH3FC309		
717HDB44PD1CH3R	L	L717HDB44PD1CH3R		
717HDB44PD1CH3RC309	L	L717HDB44PD1CH3RC309		
717HDB44PD1CH4F	L	L717HDB44PD1CH4F		
717HDB44PD1CH4FC309	L	L717HDB44PD1CH4FC309		
717HDB44PD1CH4R	L	L717HDB44PD1CH4R		
717HDB44PD1CH4RC309	L	L717HDB44PD1CH4RC309		
717HDB44POL2	L	L717HDB44POL2		
717HDB44POL2C309	L	L717HDB44POL2C309		
717HDB44PVF	L	L717HDB44PVF		
717HDB44PVFC309	L	L717HDB44PVFC309		
717HDB44PVFM	L	L717HDB44PVFM		
717HDB44PVFMC309	L	L717HDB44PVFMC309		
717HDBG44P	L	L717HDBG44P		
717HDBG44PC309	L	L717HDBG44PC309		

ASF "own" and original PN's not RoHs		Compliant RoHs PN's WITH or WHITHOUT " L " to be ordered with " L "		
		Compliant PN's since the 1st of July 2005 to be ordered with " L "		
		PN's not RoHs, to be ordered WITHOUT the " L " untill new information		
Original Part Numbers		RoHs part numbers (all connectors are with tinned shells)	What has changed to be RoHs	To be changed to be RoHs
717HDBG44POL2	L	L717HDBG44POL2		
717HDBG44POL2C309	L	L717HDBG44POL2C309		
717HDBG44POL2RM5	L	L717HDBG44POL2RM5		
717HDBG44POL2RM5C309	L	L717HDBG44POL2RM5C309		
717HDBG44POL2RM8	L	L717HDBG44POL2RM8		
717HDBG44POL2RM8C309	L	L717HDBG44POL2RM8C309		
717HDBH44P	L	L717HDBH44P		
717HDBH44PC309	L	L717HDBH44PC309		
717HDBH44POL2	L	L717HDBH44POL2		
717HDBH44POL2C309	L	L717HDBH44POL2C309		
717HDBH44POL2RM5	L	L717HDBH44POL2RM5		
717HDBH44POL2RM5C309	L	L717HDBH44POL2RM5C309		
717HDBH44POL2RM8	L	L717HDBH44POL2RM8		
717HDBH44POL2RM8C309	L	L717HDBH44POL2RM8C309		
717HDC62P	L	L717HDC62P		
717HDC62PC309	L	L717HDC62PC309		
717HDC62PD1CH3F	L	L717HDC62PD1CH3F		
717HDC62PD1CH3FC309	L	L717HDC62PD1CH3FC309		
717HDC62PD1CH3R	L	L717HDC62PD1CH3R		
717HDC62PD1CH3RC309	L	L717HDC62PD1CH3RC309		
717HDC62PD1CH4F	L	L717HDC62PD1CH4F		
717HDC62PD1CH4FC309	L	L717HDC62PD1CH4FC309		
717HDC62PD1CH4R	L	L717HDC62PD1CH4R		
717HDC62PD1CH4RC309	L	L717HDC62PD1CH4RC309		
717HDC62POL2	L	L717HDC62POL2		
717HDC62POL2C309	L	L717HDC62POL2C309		
717HDC62PVF	L	L717HDC62PVF		
717HDC62PVFC309	L	L717HDC62PVFC309		
717HDC62PVFM	L	L717HDC62PVFM		
717HDC62PVFMC309	L	L717HDC62PVFMC309		
717HDCG62P	L	L717HDCG62P		
717HDCG62PC309	L	L717HDCG62PC309		
717HDCG62POL2	L	L717HDCG62POL2		

ASF "own" and original PN's not RoHs		Compliant RoHs PN's WITH or WHITHOUT " L " to be ordered with " L "		
		Compliant PN's since the 1st of July 2005 to be ordered with " L "		
		PN's not RoHs, to be ordered WITHOUT the " L " untill new information		
Original Part Numbers		RoHs part numbers (all connectors are with tinned shells)	What has changed to be RoHs	To be changed to be RoHs
717HDCG62POL2C309	L	L717HDCG62POL2C309		
717HDCG62POL2RM5	L	L717HDCG62POL2RM5		
717HDCG62POL2RM5C309	L	L717HDCG62POL2RM5C309		
717HDCG62POL2RM8	L	L717HDCG62POL2RM8		
717HDCG62POL2RM8C309	L	L717HDCG62POL2RM8C309		
717HDCH62P	L	L717HDCH62P		
717HDCH62PC309	L	L717HDCH62PC309		
717HDCH62POL2	L	L717HDCH62POL2		
717HDCH62POL2C309	L	L717HDCH62POL2C309		
717HDCH62POL2RM5	L	L717HDCH62POL2RM5		
717HDCH62POL2RM5C309	L	L717HDCH62POL2RM5C309		
717HDCH62POL2RM8	L	L717HDCH62POL2RM8		
717HDCH62POL2RM8C309	L	L717HDCH62POL2RM8C309		
717HDD78P	L	L717HDD78P		
717HDD78PC309	L	L717HDD78PC309		
717HDD78POL2	L	L717HDD78POL2		
717HDD78POL2C309	L	L717HDD78POL2C309		
717HDD78PVF	L	L717HDD78PVF		
717HDD78PVFC309	L	L717HDD78PVFC309		
717HDD78PVFM	L	L717HDD78PVFM		
717HDD78PVFMC309	L	L717HDD78PVFMC309		
717HDDG78P	L	L717HDDG78P		
717HDDG78PC309	L	L717HDDG78PC309		
717HDDG78POL2	L	L717HDDG78POL2		
717HDDG78POL2C309	L	L717HDDG78POL2C309		
717HDDG78POL2RM5	L	L717HDDG78POL2RM5		
717HDDG78POL2RM5C309	L	L717HDDG78POL2RM5C309		
717HDDG78POL2RM8	L	L717HDDG78POL2RM8		
717HDDG78POL2RM8C309	L	L717HDDG78POL2RM8C309		
717HDDH78P	L	L717HDDH78P		
717HDDH78PC309	L	L717HDDH78PC309		
717HDDH78POL2	L	L717HDDH78POL2		
717HDDH78POL2C309	L	L717HDDH78POL2C309		

ASF "own" and original PN's not RoHs		Compliant RoHs PN's WITH or WHITHOUT " L " to be ordered with " L "		
		Compliant PN's since the 1st of July 2005 to be ordered with " L "		
		PN's not RoHs, to be ordered WITHOUT the " L " untill new information		
Original Part Numbers		RoHs part numbers (all connectors are with tinned shells)	What has changed to be RoHs	To be changed to be RoHs
717HDDH78POL2RM5	L	L717HDDH78POL2RM5		
717HDDH78POL2RM5C309	L	L717HDDH78POL2RM5C309		
717HDDH78POL2RM8	L	L717HDDH78POL2RM8		
717HDDH78POL2RM8C309	L	L717HDDH78POL2RM8C309		
717HDE15P	L	L717HDE15P		
717HDE15PC309	L	L717HDE15PC309		
717HDE15PD1CH3F	L	L717HDE15PD1CH3F		
717HDE15PD1CH3FC309	L	L717HDE15PD1CH3FC309		
717HDE15PD1CH3R	L	L717HDE15PD1CH3R		
717HDE15PD1CH3RC309	L	L717HDE15PD1CH3RC309		
717HDE15PD1CH4F	L	L717HDE15PD1CH4F		
717HDE15PD1CH4FC309	L	L717HDE15PD1CH4FC309		
717HDE15PD1CH4R	L	L717HDE15PD1CH4R		
717HDE15PD1CH4RC309	L	L717HDE15PD1CH4RC309		
717HDE15POL2	L	L717HDE15POL2		
717HDE15POL2C309	L	L717HDE15POL2C309		
717HDE15PVF	L	L717HDE15PVF		
717HDE15PVFC309	L	L717HDE15PVFC309		
717HDE15PVFM	L	L717HDE15PVFM		
717HDE15PVFMC309	L	L717HDE15PVFMC309		
717HDEG15P	L	L717HDEG15P		
717HDEG15PC309	L	L717HDEG15PC309		
717HDEG15POL2	L	L717HDEG15POL2		
717HDEG15POL2C309	L	L717HDEG15POL2C309		
717HDEG15POL2RM5	L	L717HDEG15POL2RM5		
717HDEG15POL2RM5C309	L	L717HDEG15POL2RM5C309		
717HDEG15POL2RM8	L	L717HDEG15POL2RM8		
717HDEG15POL2RM8C309	L	L717HDEG15POL2RM8C309		
717HDEH15P	L	L717HDEH15P		
717HDEH15PC309	L	L717HDEH15PC309		
717HDEH15POL2	L	L717HDEH15POL2		
717HDEH15POL2C309	L	L717HDEH15POL2C309		
717HDEH15POL2RM5	L	L717HDEH15POL2RM5		

ASF "own" and original PN's not RoHs		Compliant RoHs PN's WITH or WHITHOUT " L " to be ordered with " L "		
		Compliant PN's since the 1st of July 2005 to be ordered with " L "		
		PN's not RoHs, to be ordered WITHOUT the " L " untill new information		
Original Part Numbers		RoHs part numbers (all connectors are with tinned shells)	What has changed to be RoHs	To be changed to be RoHs
717HDEH15POL2RM5C309	L	L717HDEH15POL2RM5C309		
717HDEH15POL2RM8	L	L717HDEH15POL2RM8		
717HDEH15POL2RM8C309	L	L717HDEH15POL2RM8C309		
717SDA15P	L	L717SDA15P		
717SDA15P1ACH3F	L	L717SDA15P1ACH3F		
717SDA15P1ACH3FC309	L	L717SDA15P1ACH3FC309		
717SDA15P1ACH3R	L	L717SDA15P1ACH3R		
717SDA15P1ACH3RC309	L	L717SDA15P1ACH3RC309		
717SDA15P1ACH4F	L	L717SDA15P1ACH4F		
717SDA15P1ACH4FC309	L	L717SDA15P1ACH4FC309		
717SDA15P1ACH4R	L	L717SDA15P1ACH4R		
717SDA15P1ACH4RC309	L	L717SDA15P1ACH4RC309		
717SDA15PA4CH3F	L	L717SDA15PA4CH3F		
717SDA15PA4CH3FC309	L	L717SDA15PA4CH3FC309		
717SDA15PA4CH3R	L	L717SDA15PA4CH3R		
717SDA15PA4CH3RC309	L	L717SDA15PA4CH3RC309		
717SDA15PA4CH4F	L	L717SDA15PA4CH4F		
717SDA15PA4CH4FC309	L	L717SDA15PA4CH4FC309		
717SDA15PA4CH4R	L	L717SDA15PA4CH4R		
717SDA15PA4CH4RC309	L	L717SDA15PA4CH4RC309		
717SDA15PABCH3F	L	L717SDA15PABCH3F		
717SDA15PABCH3FC309	L	L717SDA15PABCH3FC309		
717SDA15PABCH3R	L	L717SDA15PABCH3R		
717SDA15PABCH3RC309	L	L717SDA15PABCH3RC309		
717SDA15PABCH4F	L	L717SDA15PABCH4F		
717SDA15PABCH4FC309	L	L717SDA15PABCH4FC309		
717SDA15PABCH4R	L	L717SDA15PABCH4R		
717SDA15PABCH4RC309	L	L717SDA15PABCH4RC309		
717SDA15PC309	L	L717SDA15PC309		
717SDA15POL2	L	L717SDA15POL2		
717SDA15POL2C309	L	L717SDA15POL2C309		
717SDA15POL2G	L	L717SDA15POL2G		
717SDA15POL2GC309	L	L717SDA15POL2GC309		

ASF "own" and original PN's not RoHs		Compliant RoHs PN's WITH or WHITHOUT " L " to be ordered with " L "		
		Compliant PN's since the 1st of July 2005 to be ordered with " L "		
		PN's not RoHs, to be ordered WITHOUT the " L " until new information		
Original Part Numbers		RoHs part numbers (all connectors are with tinned shells)	What has changed to be RoHs	To be changed to be RoHs
717SDA15PVF	L	L717SDA15PVF		
717SDA15PVFC309	L	L717SDA15PVFC309		
717SDA15PVFM	L	L717SDA15PVFM		
717SDA15PVFMC309	L	L717SDA15PVFMC309		
717SDAG15P	L	L717SDAG15P		
717SDAG15PC309	L	L717SDAG15PC309		
717SDAG15POL2	L	L717SDAG15POL2		
717SDAG15POL2C309	L	L717SDAG15POL2C309		
717SDAG15POL2G	L	L717SDAG15POL2G		
717SDAG15POL2GC309	L	L717SDAG15POL2GC309		
717SDAG15POL2RM5	L	L717SDAG15POL2RM5		
717SDAG15POL2RM5C309	L	L717SDAG15POL2RM5C309		
717SDAG15POL2RM5G	L	L717SDAG15POL2RM5G		
717SDAG15POL2RM5GC309	L	L717SDAG15POL2RM5GC309		
717SDAG15POL2RM8	L	L717SDAG15POL2RM8		
717SDAG15POL2RM8C309	L	L717SDAG15POL2RM8C309		
717SDAG15POL2RM8G	L	L717SDAG15POL2RM8G		
717SDAG15POL2RM8GC309	L	L717SDAG15POL2RM8GC309		
717SDAH15P	L	L717SDAH15P		
717SDAH15PC309	L	L717SDAH15PC309		
717SDAH15POL2	L	L717SDAH15POL2		
717SDAH15POL2C309	L	L717SDAH15POL2C309		
717SDAH15POL2G	L	L717SDAH15POL2G		
717SDAH15POL2GC309	L	L717SDAH15POL2GC309		
717SDAH15POL2RM5	L	L717SDAH15POL2RM5		
717SDAH15POL2RM5C309	L	L717SDAH15POL2RM5C309		
717SDAH15POL2RM5G	L	L717SDAH15POL2RM5G		
717SDAH15POL2RM5GC309	L	L717SDAH15POL2RM5GC309		
717SDAH15POL2RM8	L	L717SDAH15POL2RM8		
717SDAH15POL2RM8C309	L	L717SDAH15POL2RM8C309		
717SDAH15POL2RM8G	L	L717SDAH15POL2RM8G		
717SDAH15POL2RM8GC309	L	L717SDAH15POL2RM8GC309		
717SDB25P	L	L717SDB25P		

ASF "own" and original PN's not RoHs		Compliant RoHs PN's WITH or WHITHOUT " L " to be ordered with " L "		
		Compliant PN's since the 1st of July 2005 to be ordered with " L "		
		PN's not RoHs, to be ordered WITHOUT the " L " untill new information		
Original Part Numbers		RoHs part numbers (all connectors are with tinned shells)	What has changed to be RoHs	To be changed to be RoHs
717SDB25P1ACH3F	L	L717SDB25P1ACH3F		
717SDB25P1ACH3FC309	L	L717SDB25P1ACH3FC309		
717SDB25P1ACH3R	L	L717SDB25P1ACH3R		
717SDB25P1ACH3RC309	L	L717SDB25P1ACH3RC309		
717SDB25P1ACH4F	L	L717SDB25P1ACH4F		
717SDB25P1ACH4FC309	L	L717SDB25P1ACH4FC309		
717SDB25P1ACH4R	L	L717SDB25P1ACH4R		
717SDB25P1ACH4RC309	L	L717SDB25P1ACH4RC309		
717SDB25PA4CH3F	L	L717SDB25PA4CH3F		
717SDB25PA4CH3FC309	L	L717SDB25PA4CH3FC309		
717SDB25PA4CH3R	L	L717SDB25PA4CH3R		
717SDB25PA4CH3RC309	L	L717SDB25PA4CH3RC309		
717SDB25PA4CH4F	L	L717SDB25PA4CH4F		
717SDB25PA4CH4FC309	L	L717SDB25PA4CH4FC309		
717SDB25PA4CH4R	L	L717SDB25PA4CH4R		
717SDB25PA4CH4RC309	L	L717SDB25PA4CH4RC309		
717SDB25PABCH3F	L	L717SDB25PABCH3F		
717SDB25PABCH3FC309	L	L717SDB25PABCH3FC309		
717SDB25PABCH3R	L	L717SDB25PABCH3R		
717SDB25PABCH3RC309	L	L717SDB25PABCH3RC309		
717SDB25PABCH4F	L	L717SDB25PABCH4F		
717SDB25PABCH4FC309	L	L717SDB25PABCH4FC309		
717SDB25PABCH4R	L	L717SDB25PABCH4R		
717SDB25PABCH4RC309	L	L717SDB25PABCH4RC309		
717SDB25PC309	L	L717SDB25PC309		
717SDB25POL2	L	L717SDB25POL2		
717SDB25POL2C309	L	L717SDB25POL2C309		
717SDB25POL2G	L	L717SDB25POL2G		
717SDB25POL2GC309	L	L717SDB25POL2GC309		
717SDB25PVF	L	L717SDB25PVF		
717SDB25PVFC309	L	L717SDB25PVFC309		
717SDB25PVFM	L	L717SDB25PVFM		
717SDB25PVFMC309	L	L717SDB25PVFMC309		

ASF "own" and original PN's not RoHs		Compliant RoHs PN's WITH or WHITHOUT " L " to be ordered with " L "		
		Compliant PN's since the 1st of July 2005 to be ordered with " L "		
		PN's not RoHs, to be ordered WITHOUT the " L " untill new information		
Original Part Numbers		RoHs part numbers (all connectors are with tinned shells)	What has changed to be RoHs	To be changed to be RoHs
717SDBG25P	L	L717SDBG25P		
717SDBG25PC309	L	L717SDBG25PC309		
717SDBG25POL2	L	L717SDBG25POL2		
717SDBG25POL2C309	L	L717SDBG25POL2C309		
717SDBG25POL2G	L	L717SDBG25POL2G		
717SDBG25POL2GC309	L	L717SDBG25POL2GC309		
717SDBG25POL2RM5	L	L717SDBG25POL2RM5		
717SDBG25POL2RM5C309	L	L717SDBG25POL2RM5C309		
717SDBG25POL2RM5G	L	L717SDBG25POL2RM5G		
717SDBG25POL2RM5GC309	L	L717SDBG25POL2RM5GC309		
717SDBG25POL2RM8	L	L717SDBG25POL2RM8		
717SDBG25POL2RM8C309	L	L717SDBG25POL2RM8C309		
717SDBG25POL2RM8G	L	L717SDBG25POL2RM8G		
717SDBG25POL2RM8GC309	L	L717SDBG25POL2RM8GC309		
717SDBH25P	L	L717SDBH25P		
717SDBH25PC309	L	L717SDBH25PC309		
717SDBH25POL2	L	L717SDBH25POL2		
717SDBH25POL2C309	L	L717SDBH25POL2C309		
717SDBH25POL2G	L	L717SDBH25POL2G		
717SDBH25POL2GC309	L	L717SDBH25POL2GC309		
717SDBH25POL2RM5	L	L717SDBH25POL2RM5		
717SDBH25POL2RM5C309	L	L717SDBH25POL2RM5C309		
717SDBH25POL2RM5G	L	L717SDBH25POL2RM5G		
717SDBH25POL2RM5GC309	L	L717SDBH25POL2RM5GC309		
717SDBH25POL2RM8	L	L717SDBH25POL2RM8		
717SDBH25POL2RM8C309	L	L717SDBH25POL2RM8C309		
717SDBH25POL2RM8G	L	L717SDBH25POL2RM8G		
717SDBH25POL2RM8GC309	L	L717SDBH25POL2RM8GC309		
717SDC37P	L	L717SDC37P		
717SDC37P1ACH3F	L	L717SDC37P1ACH3F		
717SDC37P1ACH3FC309	L	L717SDC37P1ACH3FC309		
717SDC37P1ACH3R	L	L717SDC37P1ACH3R		
717SDC37P1ACH3RC309	L	L717SDC37P1ACH3RC309		

ASF "own" and original PN's not RoHs		Compliant RoHs PN's WITH or WHITHOUT " L " →to be ordered with " L "		
		Compliant PN's since the 1st of July 2005 →to be ordered with " L "		
		PN's not RoHs, to be ordered WITHOUT the " L " untill new information		
Original Part Numbers		RoHs part numbers (all connectors are with tinned shells)	What has changed to be RoHs	To be changed to be RoHs
717SDC37P1ACH4F	L	L717SDC37P1ACH4F		
717SDC37P1ACH4FC309	L	L717SDC37P1ACH4FC309		
717SDC37P1ACH4R	L	L717SDC37P1ACH4R		
717SDC37P1ACH4RC309	L	L717SDC37P1ACH4RC309		
717SDC37PA4CH3F	L	L717SDC37PA4CH3F		
717SDC37PA4CH3FC309	L	L717SDC37PA4CH3FC309		
717SDC37PA4CH3R	L	L717SDC37PA4CH3R		
717SDC37PA4CH3RC309	L	L717SDC37PA4CH3RC309		
717SDC37PA4CH4F	L	L717SDC37PA4CH4F		
717SDC37PA4CH4FC309	L	L717SDC37PA4CH4FC309		
717SDC37PA4CH4R	L	L717SDC37PA4CH4R		
717SDC37PA4CH4RC309	L	L717SDC37PA4CH4RC309		
717SDC37PABCH3F	L	L717SDC37PABCH3F		
717SDC37PABCH3FC309	L	L717SDC37PABCH3FC309		
717SDC37PABCH3R	L	L717SDC37PABCH3R		
717SDC37PABCH3RC309	L	L717SDC37PABCH3RC309		
717SDC37PABCH4F	L	L717SDC37PABCH4F		
717SDC37PABCH4FC309	L	L717SDC37PABCH4FC309		
717SDC37PABCH4R	L	L717SDC37PABCH4R		
717SDC37PABCH4RC309	L	L717SDC37PABCH4RC309		
717SDC37PC309	L	L717SDC37PC309		
717SDC37POL2	L	L717SDC37POL2		
717SDC37POL2C309	L	L717SDC37POL2C309		
717SDC37POL2G	L	L717SDC37POL2G		
717SDC37POL2GC309	L	L717SDC37POL2GC309		
717SDC37PVF	L	L717SDC37PVF		
717SDC37PVFC309	L	L717SDC37PVFC309		
717SDC37PVFM	L	L717SDC37PVFM		
717SDC37PVFMC309	L	L717SDC37PVFMC309		
717SDCG37P	L	L717SDCG37P		
717SDCG37PC309	L	L717SDCG37PC309		
717SDCG37POL2	L	L717SDCG37POL2		
717SDCG37POL2C309	L	L717SDCG37POL2C309		

ASF "own" and original PN's not RoHs		Compliant RoHs PN's WITH or WHITHOUT " L " to be ordered with " L "		
		Compliant PN's since the 1st of July 2005 to be ordered with " L "		
		PN's not RoHs, to be ordered WITHOUT the " L " untill new information		
Original Part Numbers		RoHs part numbers (all connectors are with tinned shells)	What has changed to be RoHs	To be changed to be RoHs
717SDCG37POL2G	L	L717SDCG37POL2G		
717SDCG37POL2GC309	L	L717SDCG37POL2GC309		
717SDCG37POL2RM5	L	L717SDCG37POL2RM5		
717SDCG37POL2RM5C309	L	L717SDCG37POL2RM5C309		
717SDCG37POL2RM5G	L	L717SDCG37POL2RM5G		
717SDCG37POL2RM5GC309	L	L717SDCG37POL2RM5GC309		
717SDCG37POL2RM8	L	L717SDCG37POL2RM8		
717SDCG37POL2RM8C309	L	L717SDCG37POL2RM8C309		
717SDCG37POL2RM8G	L	L717SDCG37POL2RM8G		
717SDCG37POL2RM8GC309	L	L717SDCG37POL2RM8GC309		
717SDCH37P	L	L717SDCH37P		
717SDCH37PC309	L	L717SDCH37PC309		
717SDCH37POL2	L	L717SDCH37POL2		
717SDCH37POL2C309	L	L717SDCH37POL2C309		
717SDCH37POL2G	L	L717SDCH37POL2G		
717SDCH37POL2GC309	L	L717SDCH37POL2GC309		
717SDCH37POL2RM5	L	L717SDCH37POL2RM5		
717SDCH37POL2RM5C309	L	L717SDCH37POL2RM5C309		
717SDCH37POL2RM5G	L	L717SDCH37POL2RM5G		
717SDCH37POL2RM5GC309	L	L717SDCH37POL2RM5GC309		
717SDCH37POL2RM8	L	L717SDCH37POL2RM8		
717SDCH37POL2RM8C309	L	L717SDCH37POL2RM8C309		
717SDCH37POL2RM8G	L	L717SDCH37POL2RM8G		
717SDCH37POL2RM8GC309	L	L717SDCH37POL2RM8GC309		
717SDD50P	L	L717SDD50P		
717SDD50PC309	L	L717SDD50PC309		
717SDD50POL2	L	L717SDD50POL2		
717SDD50POL2C309	L	L717SDD50POL2C309		
717SDD50POL2G	L	L717SDD50POL2G		
717SDD50POL2GC309	L	L717SDD50POL2GC309		
717SDD50PVF	L	L717SDD50PVF		
717SDD50PVFC309	L	L717SDD50PVFC309		
717SDD50PVFM	L	L717SDD50PVFM		

ASF "own" and original PN's not RoHs		Compliant RoHs PN's WITH or WHITHOUT " L " to be ordered with " L "		
		Compliant PN's since the 1st of July 2005 to be ordered with " L "		
		PN's not RoHs, to be ordered WITHOUT the " L " until new information		
Original Part Numbers		RoHs part numbers (all connectors are with tinned shells)	What has changed to be RoHs	To be changed to be RoHs
717SDD50PVFMC309	L	L717SDD50PVFMC309		
717SDDG50P	L	L717SDDG50P		
717SDDG50PC309	L	L717SDDG50PC309		
717SDDG50POL2	L	L717SDDG50POL2		
717SDDG50POL2C309	L	L717SDDG50POL2C309		
717SDDG50POL2G	L	L717SDDG50POL2G		
717SDDG50POL2GC309	L	L717SDDG50POL2GC309		
717SDDG50POL2RM5	L	L717SDDG50POL2RM5		
717SDDG50POL2RM5C309	L	L717SDDG50POL2RM5C309		
717SDDG50POL2RM5G	L	L717SDDG50POL2RM5G		
717SDDG50POL2RM5GC309	L	L717SDDG50POL2RM5GC309		
717SDDG50POL2RM8	L	L717SDDG50POL2RM8		
717SDDG50POL2RM8C309	L	L717SDDG50POL2RM8C309		
717SDDG50POL2RM8G	L	L717SDDG50POL2RM8G		
717SDDG50POL2RM8GC309	L	L717SDDG50POL2RM8GC309		
717SDDH50P	L	L717SDDH50P		
717SDDH50PC309	L	L717SDDH50PC309		
717SDDH50POL2	L	L717SDDH50POL2		
717SDDH50POL2C309	L	L717SDDH50POL2C309		
717SDDH50POL2G	L	L717SDDH50POL2G		
717SDDH50POL2GC309	L	L717SDDH50POL2GC309		
717SDDH50POL2RM5	L	L717SDDH50POL2RM5		
717SDDH50POL2RM5C309	L	L717SDDH50POL2RM5C309		
717SDDH50POL2RM5G	L	L717SDDH50POL2RM5G		
717SDDH50POL2RM5GC309	L	L717SDDH50POL2RM5GC309		
717SDDH50POL2RM8	L	L717SDDH50POL2RM8		
717SDDH50POL2RM8C309	L	L717SDDH50POL2RM8C309		
717SDDH50POL2RM8G	L	L717SDDH50POL2RM8G		
717SDDH50POL2RM8GC309	L	L717SDDH50POL2RM8GC309		
717SDE09P	L	L717SDE09P		
717SDE09P1ACH3F	L	L717SDE09P1ACH3F		
717SDE09P1ACH3FC309	L	L717SDE09P1ACH3FC309		
717SDE09P1ACH3R	L	L717SDE09P1ACH3R		

ASF "own" and original PN's not RoHs		Compliant RoHs PN's WITH or WHITHOUT " L " →to be ordered with " L "		
		Compliant PN's since the 1st of July 2005 →to be ordered with " L "		
		PN's not RoHs, to be ordered WITHOUT the " L " untill new information		
Original Part Numbers		RoHs part numbers (all connectors are with tinned shells)	What has changed to be RoHs	To be changed to be RoHs
717SDE09P1ACH3RC309	L	L717SDE09P1ACH3RC309		
717SDE09P1ACH4F	L	L717SDE09P1ACH4F		
717SDE09P1ACH4FC309	L	L717SDE09P1ACH4FC309		
717SDE09P1ACH4R	L	L717SDE09P1ACH4R		
717SDE09P1ACH4RC309	L	L717SDE09P1ACH4RC309		
717SDE09PA4CH3F	L	L717SDE09PA4CH3F		
717SDE09PA4CH3FC309	L	L717SDE09PA4CH3FC309		
717SDE09PA4CH3R	L	L717SDE09PA4CH3R		
717SDE09PA4CH3RC309	L	L717SDE09PA4CH3RC309		
717SDE09PA4CH4F	L	L717SDE09PA4CH4F		
717SDE09PA4CH4FC309	L	L717SDE09PA4CH4FC309		
717SDE09PA4CH4R	L	L717SDE09PA4CH4R		
717SDE09PA4CH4RC309	L	L717SDE09PA4CH4RC309		
717SDE09PABCH3F	L	L717SDE09PABCH3F		
717SDE09PABCH3FC309	L	L717SDE09PABCH3FC309		
717SDE09PABCH3R	L	L717SDE09PABCH3R		
717SDE09PABCH3RC309	L	L717SDE09PABCH3RC309		
717SDE09PABCH4F	L	L717SDE09PABCH4F		
717SDE09PABCH4FC309	L	L717SDE09PABCH4FC309		
717SDE09PABCH4R	L	L717SDE09PABCH4R		
717SDE09PABCH4RC309	L	L717SDE09PABCH4RC309		
717SDE09PC309	L	L717SDE09PC309		
717SDE09POL2	L	L717SDE09POL2		
717SDE09POL2C309	L	L717SDE09POL2C309		
717SDE09POL2G	L	L717SDE09POL2G		
717SDE09POL2GC309	L	L717SDE09POL2GC309		
717SDE09PVF	L	L717SDE09PVF		
717SDE09PVFC309	L	L717SDE09PVFC309		
717SDE09PVFM	L	L717SDE09PVFM		
717SDE09PVFMC309	L	L717SDE09PVFMC309		
717SDEG09P	L	L717SDEG09P		
717SDEG09PC309	L	L717SDEG09PC309		
717SDEG09POL2	L	L717SDEG09POL2		

ASF "own" and original PN's not RoHs		Compliant RoHs PN's WITH or WHITHOUT " L " to be ordered with " L "		
		Compliant PN's since the 1st of July 2005 to be ordered with " L "		
		PN's not RoHs, to be ordered WITHOUT the " L " untill new information		
Original Part Numbers		RoHs part numbers (all connectors are with tinned shells)	What has changed to be RoHs	To be changed to be RoHs
717SDEG09POL2C309	L	L717SDEG09POL2C309		
717SDEG09POL2G	L	L717SDEG09POL2G		
717SDEG09POL2GC309	L	L717SDEG09POL2GC309		
717SDEG09POL2RM5	L	L717SDEG09POL2RM5		
717SDEG09POL2RM5C309	L	L717SDEG09POL2RM5C309		
717SDEG09POL2RM5G	L	L717SDEG09POL2RM5G		
717SDEG09POL2RM5GC309	L	L717SDEG09POL2RM5GC309		
717SDEG09POL2RM8	L	L717SDEG09POL2RM8		
717SDEG09POL2RM8C309	L	L717SDEG09POL2RM8C309		
717SDEG09POL2RM8G	L	L717SDEG09POL2RM8G		
717SDEG09POL2RM8GC309	L	L717SDEG09POL2RM8GC309		
717SDEH09P	L	L717SDEH09P		
717SDEH09PC309	L	L717SDEH09PC309		
717SDEH09POL2	L	L717SDEH09POL2		
717SDEH09POL2C309	L	L717SDEH09POL2C309		
717SDEH09POL2G	L	L717SDEH09POL2G		
717SDEH09POL2GC309	L	L717SDEH09POL2GC309		
717SDEH09POL2RM5	L	L717SDEH09POL2RM5		
717SDEH09POL2RM5C309	L	L717SDEH09POL2RM5C309		
717SDEH09POL2RM5G	L	L717SDEH09POL2RM5G		
717SDEH09POL2RM5GC309	L	L717SDEH09POL2RM5GC309		
717SDEH09POL2RM8	L	L717SDEH09POL2RM8		
717SDEH09POL2RM8C309	L	L717SDEH09POL2RM8C309		
717SDEH09POL2RM8G	L	L717SDEH09POL2RM8G		
717SDEH09POL2RM8GC309	L	L717SDEH09POL2RM8GC309		
717TSAG15POL2	L	L717TSAG15POL2		
717TSAG15POL2C309	L	L717TSAG15POL2C309		
717TSAG15POL2RM5	L	L717TSAG15POL2RM5		
717TSAG15POL2RM5C309	L	L717TSAG15POL2RM5C309		
717TSAG15POL2RM8	L	L717TSAG15POL2RM8		
717TSAG15POL2RM8C309	L	L717TSAG15POL2RM8C309		
717TSAH15POL2	L	L717TSAH15POL2		
717TSAH15POL2C309	L	L717TSAH15POL2C309		

ASF "own" and original PN's not RoHs		Compliant RoHs PN's WITH or WHITHOUT " L " to be ordered with " L "		
		Compliant PN's since the 1st of July 2005 to be ordered with " L "		
		PN's not RoHs, to be ordered WITHOUT the " L " untill new information		
Original Part Numbers		RoHs part numbers (all connectors are with tinned shells)	What has changed to be RoHs	To be changed to be RoHs
717TSAH15POL2RM5	L	L717TSAH15POL2RM5		
717TSAH15POL2RM5C309	L	L717TSAH15POL2RM5C309		
717TSAH15POL2RM8	L	L717TSAH15POL2RM8		
717TSAH15POL2RM8C309	L	L717TSAH15POL2RM8C309		
717TSBG25POL2	L	L717TSBG25POL2		
717TSBG25POL2C309	L	L717TSBG25POL2C309		
717TSBG25POL2RM5	L	L717TSBG25POL2RM5		
717TSBG25POL2RM5C309	L	L717TSBG25POL2RM5C309		
717TSBG25POL2RM8	L	L717TSBG25POL2RM8		
717TSBG25POL2RM8C309	L	L717TSBG25POL2RM8C309		
717TSBH25POL2	L	L717TSBH25POL2		
717TSBH25POL2C309	L	L717TSBH25POL2C309		
717TSBH25POL2RM5	L	L717TSBH25POL2RM5		
717TSBH25POL2RM5C309	L	L717TSBH25POL2RM5C309		
717TSBH25POL2RM8	L	L717TSBH25POL2RM8		
717TSBH25POL2RM8C309	L	L717TSBH25POL2RM8C309		
717TSCG37POL2	L	L717TSCG37POL2		
717TSCG37POL2C309	L	L717TSCG37POL2C309		
717TSCG37POL2RM5	L	L717TSCG37POL2RM5		
717TSCG37POL2RM5C309	L	L717TSCG37POL2RM5C309		
717TSCG37POL2RM8	L	L717TSCG37POL2RM8		
717TSCG37POL2RM8C309	L	L717TSCG37POL2RM8C309		
717TSCH37POL2	L	L717TSCH37POL2		
717TSCH37POL2C309	L	L717TSCH37POL2C309		
717TSCH37POL2RM5	L	L717TSCH37POL2RM5		
717TSCH37POL2RM5C309	L	L717TSCH37POL2RM5C309		
717TSCH37POL2RM8	L	L717TSCH37POL2RM8		
717TSCH37POL2RM8C309	L	L717TSCH37POL2RM8C309		
717TSEG09POL2	L	L717TSEG09POL2		
717TSEG09POL2C309	L	L717TSEG09POL2C309		
717TSEG09POL2RM5	L	L717TSEG09POL2RM5		
717TSEG09POL2RM5C309	L	L717TSEG09POL2RM5C309		
717TSEG09POL2RM8	L	L717TSEG09POL2RM8		

ASF "own" and original
PN's not RoHs

Compliant RoHs PN's WITH or WHITHOUT " L " ~~to~~ be ordered with " L "

Compliant PN's since the 1st of July 2005 ~~to~~ be ordered with " L "

PN's not RoHs, to be ordered WITHOUT the " L " untill new information

Original Part Numbers		RoHs part numbers (all connectors are with tinned shells)	What has changed to be RoHs	To be changed to be RoHs
717TSEG09POL2RM8C309	L	L717TSEG09POL2RM8C309		
717TSEH09POL2	L	L717TSEH09POL2		
717TSEH09POL2C309	L	L717TSEH09POL2C309		
717TSEH09POL2RM5	L	L717TSEH09POL2RM5		
717TSEH09POL2RM5C309	L	L717TSEH09POL2RM5C309		
717TSEH09POL2RM8	L	L717TSEH09POL2RM8		
717TSEH09POL2RM8C309	L	L717TSEH09POL2RM8C309		
717TWA11W1P	L	L717TWA11W1P		
717TWA11W1PESV4F	L	L717TWA11W1PESV4F		
717TWA11W1PSY	L	L717TWA11W1PSY		
717TWA3W3P	L	L717TWA3W3P		
717TWA3W3P3R	L	L717TWA3W3P3R		
717TWA3W3P4R	L	L717TWA3W3P4R		
717TWA3W3PEP2V	L	L717TWA3W3PEP2V		
717TWA3W3PEP2V4FRM6	L	L717TWA3W3PEP2V4FRM6		
717TWA3W3PEP2V4RRM6	L	L717TWA3W3PEP2V4RRM6		
717TWA3W3PEP3V	L	L717TWA3W3PEP3V		
717TWA3W3PMCV4R	L	L717TWA3W3PMCV4R		
717TWA3W3PMCV4RRM6	L	L717TWA3W3PMCV4RRM6		
717TWA3W3PMP2V3RRM6	L	L717TWA3W3PMP2V3RRM6		
717TWA3W3PMP2V4FRM6	L	L717TWA3W3PMP2V4FRM6		
717TWA3W3PMP2V4RRM6	L	L717TWA3W3PMP2V4RRM6		
717TWA3W3PMP3V4FRM6	L	L717TWA3W3PMP3V4FRM6		
717TWA3W3PMP3V4RRM6	L	L717TWA3W3PMP3V4RRM6		
717TWA3W3PP2Y3R	L	L717TWA3W3PP2Y3R		
717TWA3W3PP2YRM54	L	L717TWA3W3PP2YRM54		
717TWA3W3PP3Y	L	L717TWA3W3PP3Y		
717TWA3W3PP3Y3R	L	L717TWA3W3PP3Y3R		
717TWA3W3PP3YRM53	L	L717TWA3W3PP3YRM53		
717TWA3W3PP3YRM54	L	L717TWA3W3PP3YRM54		
717TWA3W3PP3YRM84	L	L717TWA3W3PP3YRM84		
717TWA3W3PRM53	L	L717TWA3W3PRM53		
717TWA3W3PRM84	L	L717TWA3W3PRM84		

Cts Tails :from tin-lead to tin or gold

ASF "own" and original PN's not RoHs		Compliant RoHs PN's WITH or WHITHOUT " L " to be ordered with " L "		
		Compliant PN's since the 1st of July 2005 to be ordered with " L "		
		PN's not RoHs, to be ordered WITHOUT the " L " untill new information		
Original Part Numbers		RoHs part numbers (all connectors are with tinned shells)	What has changed to be RoHs	To be changed to be RoHs
717TWA3W3PVF	L	L717TWA3W3PVF		
717TWA7W2P	L	L717TWA7W2P		
717TWA7W2PEP2SV	L	L717TWA7W2PEP2SV		Cts Tails :from tin-lead to tin or gold
717TWA7W2PEP3SV	L	L717TWA7W2PEP3SV		Cts Tails :from tin-lead to tin or gold
717TWA7W2PMCSV	L	L717TWA7W2PMCSV		Cts Tails :from tin-lead to tin or gold
717TWA7W2PMCSV6	L	L717TWA7W2PMCSV6		Cts Tails :from tin-lead to tin or gold
717TWA7W2PMP2SV4FRM6	L	L717TWA7W2PMP2SV4FRM6		Cts Tails :from tin-lead to tin or gold
717TWA7W2PMP2SV6	L	L717TWA7W2PMP2SV6		Cts Tails :from tin-lead to tin or gold
717TWA7W2PMP3SV4RRM6	L	L717TWA7W2PMP3SV4RRM6		Cts Tails :from tin-lead to tin or gold
717TWA7W2PP2SY	L	L717TWA7W2PP2SY		
717TWA7W2PP2SYRM84	L	L717TWA7W2PP2SYRM84		
717TWA7W2PSYRM54	L	L717TWA7W2PSYRM54		
717TWA7W2PSYRM84	L	L717TWA7W2PSYRM84		
717TWAG3W3P	L	L717TWAG3W3P		
717TWB13W3P	L	L717TWB13W3P		
717TWB13W3P4R	L	L717TWB13W3P4R		
717TWB13W3PEP2SV4RRM6	L	L717TWB13W3PEP2SV4RRM6		Cts Tails :from tin-lead to tin or gold
717TWB13W3PEP2SV6	L	L717TWB13W3PEP2SV6		Cts Tails :from tin-lead to tin or gold
717TWB13W3PEP3SV	L	L717TWB13W3PEP3SV		Cts Tails :from tin-lead to tin or gold
717TWB13W3PHCSV4FRM6	L	L717TWB13W3PHCSV4FRM6		Cts Tails :from tin-lead to tin or gold
717TWB13W3PHCSV6	L	L717TWB13W3PHCSV6		Cts Tails :from tin-lead to tin or gold
717TWB13W3PMCSV4F	L	L717TWB13W3PMCSV4F		Cts Tails :from tin-lead to tin or gold
717TWB13W3PMCSV4FRM6	L	L717TWB13W3PMCSV4FRM6		Cts Tails :from tin-lead to tin or gold
717TWB13W3PMP3SV4RRM6	L	L717TWB13W3PMP3SV4RRM6		Cts Tails :from tin-lead to tin or gold
717TWB13W3PP2SY	L	L717TWB13W3PP2SY		
717TWB13W3PP2SYRM84	L	L717TWB13W3PP2SYRM84		
717TWB13W3PP3SYRM54	L	L717TWB13W3PP3SYRM54		
717TWB13W3PSYRM54	L	L717TWB13W3PSYRM54		
717TWB17W2P	L	L717TWB17W2P		
717TWB17W2PEP3SV	L	L717TWB17W2PEP3SV		Cts Tails :from tin-lead to tin or gold
717TWB17W2PHCSV	L	L717TWB17W2PHCSV		Cts Tails :from tin-lead to tin or gold
717TWB17W2PMCSV	L	L717TWB17W2PMCSV		Cts Tails :from tin-lead to tin or gold
717TWB17W2PMCSV4FRM6	L	L717TWB17W2PMCSV4FRM6		Cts Tails :from tin-lead to tin or gold

ASF "own" and original PN's not RoHs		Compliant RoHs PN's WITH or WHITHOUT " L " to be ordered with " L "		
		Compliant PN's since the 1st of July 2005 to be ordered with " L "		
		PN's not RoHs, to be ordered WITHOUT the " L " untill new information		
Original Part Numbers		RoHs part numbers (all connectors are with tinned shells)	What has changed to be RoHs	To be changed to be RoHs
717TWB17W2PMCSVRM6	L	L717TWB17W2PMCSVRM6		Cts Tails :from tin-lead to tin or gold
717TWB17W2PMP3SV4RRM6	L	L717TWB17W2PMP3SV4RRM6		Cts Tails :from tin-lead to tin or gold
717TWB17W2PP2SYRM84	L	L717TWB17W2PP2SYRM84		
717TWB17W2PSY	L	L717TWB17W2PSY		
717TWB17W2PSYRM84	L	L717TWB17W2PSYRM84		
717TWB21W1P	L	L717TWB21W1P		
717TWB5W5P	L	L717TWB5W5P		
717TWB5W5P3R	L	L717TWB5W5P3R		
717TWB5W5PEP3V	L	L717TWB5W5PEP3V		
717TWB5W5PHCV	L	L717TWB5W5PHCV		
717TWB5W5PMCV	L	L717TWB5W5PMCV		
717TWB5W5PMCV4RRM6	L	L717TWB5W5PMCV4RRM6		
717TWB5W5PMP3V4FRM6	L	L717TWB5W5PMP3V4FRM6		
717TWB5W5PMP3V4R	L	L717TWB5W5PMP3V4R		
717TWB5W5PMP3V4RRM6	L	L717TWB5W5PMP3V4RRM6		
717TWB5W5PP2YRM54	L	L717TWB5W5PP2YRM54		
717TWB5W5PP3YRM53	L	L717TWB5W5PP3YRM53		
717TWB5W5PP3YRM84	L	L717TWB5W5PP3YRM84		
717TWB5W5PRM84	L	L717TWB5W5PRM84		
717TWB9W4P	L	L717TWB9W4P		
717TWB9W4P4F	L	L717TWB9W4P4F		
717TWB9W4P4R	L	L717TWB9W4P4R		
717TWB9W4PEP2SV	L	L717TWB9W4PEP2SV		Cts Tails :from tin-lead to tin or gold
717TWB9W4PEP2SV4FRM6	L	L717TWB9W4PEP2SV4FRM6		Cts Tails :from tin-lead to tin or gold
717TWB9W4PEP2SVRM6	L	L717TWB9W4PEP2SVRM6		Cts Tails :from tin-lead to tin or gold
717TWB9W4PMCSV4FRM6	L	L717TWB9W4PMCSV4FRM6		Cts Tails :from tin-lead to tin or gold
717TWB9W4PMP2SV4RRM6	L	L717TWB9W4PMP2SV4RRM6		Cts Tails :from tin-lead to tin or gold
717TWB9W4PP2SYRM54	L	L717TWB9W4PP2SYRM54		
717TWB9W4PP2SYRM84	L	L717TWB9W4PP2SYRM84		
717TWB9W4PP3SY	L	L717TWB9W4PP3SY		
717TWBG5W5P	L	L717TWBG5W5P		
717TWBH5W5P	L	L717TWBH5W5P		
717TWC13W6P	L	L717TWC13W6P		

ASF "own" and original PN's not RoHs		Compliant RoHs PN's WITH or WHITHOUT " L " to be ordered with " L "		
		Compliant PN's since the 1st of July 2005 to be ordered with " L "		
		PN's not RoHs, to be ordered WITHOUT the " L " untill new information		
Original Part Numbers		RoHs part numbers (all connectors are with tinned shells)	What has changed to be RoHs	To be changed to be RoHs
717TWC13W6PHP3SV4RRM6	L	L717TWC13W6PHP3SV4RRM6		Cts Tails :from tin-lead to tin or gold
717TWC13W6PMSV	L	L717TWC13W6PMSV		Cts Tails :from tin-lead to tin or gold
717TWC17W5P	L	L717TWC17W5P		
717TWC17W5PESV4R	L	L717TWC17W5PESV4R		Cts Tails :from tin-lead to tin or gold
717TWC17W5PHCSV4F	L	L717TWC17W5PHCSV4F		Cts Tails :from tin-lead to tin or gold
717TWC21WA4P	L	L717TWC21WA4P		
717TWC21WA4PC	L	L717TWC21WA4PC		Cts Tails :from tin-lead to tin or gold
717TWC21WA4PC309	L	L717TWC21WA4PC309		
717TWC21WA4PEP3SV	L	L717TWC21WA4PEP3SV		Cts Tails :from tin-lead to tin or gold
717TWC21WA4PESV4R	L	L717TWC21WA4PESV4R		Cts Tails :from tin-lead to tin or gold
717TWC21WA4PHCSV	L	L717TWC21WA4PHCSV		Cts Tails :from tin-lead to tin or gold
717TWC21WA4PHP3SV4RRM6	L	L717TWC21WA4PHP3SV4RRM6		Cts Tails :from tin-lead to tin or gold
717TWC21WA4PMCSVRM6	L	L717TWC21WA4PMCSVRM6		Cts Tails :from tin-lead to tin or gold
717TWC21WA4PMP3SV4RRM6	L	L717TWC21WA4PMP3SV4RRM6		Cts Tails :from tin-lead to tin or gold
717TWC21WA4PP2SYRM84	L	L717TWC21WA4PP2SYRM84		
717TWC21WA4PP3SY	L	L717TWC21WA4PP3SY		
717TWC25W3P	L	L717TWC25W3P		
717TWC25W3PMSVRM6	L	L717TWC25W3PMSVRM6		Cts Tails :from tin-lead to tin or gold
717TWC25W3PP2SY	L	L717TWC25W3PP2SY		
717TWC25W3PP3SY	L	L717TWC25W3PP3SY		
717TWC27W2P	L	L717TWC27W2P		
717TWC27W2PMCSV4RRM6	L	L717TWC27W2PMCSV4RRM6		Cts Tails :from tin-lead to tin or gold
717TWC27W2PMP2SV3RRM6	L	L717TWC27W2PMP2SV3RRM6		Cts Tails :from tin-lead to tin or gold
717TWC8W8P	L	L717TWC8W8P		
717TWC8W8PEP2V4RRM6	L	L717TWC8W8PEP2V4RRM6		
717TWC8W8PEP3V	L	L717TWC8W8PEP3V		
717TWC8W8PMCV	L	L717TWC8W8PMCV		
717TWC8W8PMCV3RRM6	L	L717TWC8W8PMCV3RRM6		
717TWC8W8PMCV4FRM6	L	L717TWC8W8PMCV4FRM6		
717TWC8W8PMCV4RRM6	L	L717TWC8W8PMCV4RRM6		
717TWC8W8PP2Y	L	L717TWC8W8PP2Y		
717TWC8W8PP3YRM84	L	L717TWC8W8PP3YRM84		
717TWD24W7P	L	L717TWD24W7P		

ASF "own" and original PN's not RoHs		Compliant RoHs PN's WITH or WHITHOUT " L " to be ordered with " L "		
		Compliant PN's since the 1st of July 2005 to be ordered with " L "		
		PN's not RoHs, to be ordered WITHOUT the " L " untill new information		
Original Part Numbers		RoHs part numbers (all connectors are with tinned shells)	What has changed to be RoHs	To be changed to be RoHs
717TWD24W7PMCSV4R	L	L717TWD24W7PMCSV4R		Cts Tails :from tin-lead to tin or gold
717TWD24W7PMP3SV4RRM6	L	L717TWD24W7PMP3SV4RRM6		Cts Tails :from tin-lead to tin or gold
717TWD24W7PP3SYRM54	L	L717TWD24W7PP3SYRM54		
717TWD36W4P	L	L717TWD36W4P		
717TWD36W4P4F	L	L717TWD36W4P4F		
717TWD36W4PMCSV4F	L	L717TWD36W4PMCSV4F		Cts Tails :from tin-lead to tin or gold
717TWD36W4POL3	L	L717TWD36W4POL3		
717TWD43W2P	L	L717TWD43W2P		
717TWE5W1P	L	L717TWE5W1P		
717TWE5W1P4R	L	L717TWE5W1P4R		
717TWE5W1PEP2SV4FRM6	L	L717TWE5W1PEP2SV4FRM6		Cts Tails :from tin-lead to tin or gold
717TWE5W1PMCSV4FRM6	L	L717TWE5W1PMCSV4FRM6		Cts Tails :from tin-lead to tin or gold
717TWE5W1PMSV4F	L	L717TWE5W1PMSV4F		Cts Tails :from tin-lead to tin or gold
717TWE5W1PP2SYRM84	L	L717TWE5W1PP2SYRM84		
717TWP3W3P	L	L717TWP3W3P		
777DA15P	L	L777DA15P		
777DA15POL2	L	L777DA15POL2		
777DB25PST2	L	L777DB25PST2		
777DE09POL2	L	L777DE09POL2		
777DE09PST2	L	L777DE09PST2		
777DEG09P1BMN	L	L777DEG09P1BMN		Cts Tails :from tin-lead to tin or gold
777DFA15P	L	L777DFA15P		
777DFA15P1APN	L	L777DFA15P1APN		Cts Tails :from tin-lead to tin or gold
777DFA15PC	L	L777DFA15PC		Cts Tails :from tin-lead to tin or gold
777DFA15PF179	L	L777DFA15PF179		
777DFA15POL2	L	L777DFA15POL2		
777DFA15PV	L	L777DFA15PV		
777DFAH15PAM4	L	L777DFAH15PAM4		Cts Tails :from tin-lead to tin or gold
777DFAH15PF179	L	L777DFAH15PF179		
777DFB25P	L	L777DFB25P		
777DFB25P1AON	L	L777DFB25P1AON		Cts Tails :from tin-lead to tin or gold
777DFB25POL2	L	L777DFB25POL2		
777DFBH25PAM4B	L	L777DFBH25PAM4B		Cts Tails :from tin-lead to tin or gold

ASF "own" and original PN's not RoHs		Compliant RoHs PN's WITH or WHITHOUT " L " to be ordered with " L "		
		Compliant PN's since the 1st of July 2005 to be ordered with " L "		
		PN's not RoHs, to be ordered WITHOUT the " L " untill new information		
Original Part Numbers		RoHs part numbers (all connectors are with tinned shells)	What has changed to be RoHs	To be changed to be RoHs
777DFBH25POL2RM5	L	L777DFBH25POL2RM5		
777DFCH37PAM4	L	L777DFCH37PAM4		Cts Tails :from tin-lead to tin or gold
777DFCH37PARM6	L	L777DFCH37PARM6		Cts Tails :from tin-lead to tin or gold
777DFD50P	L	L777DFD50P		
777DFE09P	L	L777DFE09P		
777DFE09P1AMNVF2	L	L777DFE09P1AMNVF2		Cts Tails :from tin-lead to tin or gold
777DFE09P1AON	L	L777DFE09P1AON		Cts Tails :from tin-lead to tin or gold
777DFE09P1APN	L	L777DFE09P1APN		Cts Tails :from tin-lead to tin or gold
777DFE09POL2	L	L777DFE09POL2		
777DFE09POL2RM8	L	L777DFE09POL2RM8		
777DFEH09P	L	L777DFEH09P		
777DFEH09PAM4	L	L777DFEH09PAM4		Cts Tails :from tin-lead to tin or gold
777DFEH09PARM6	L	L777DFEH09PARM6		Cts Tails :from tin-lead to tin or gold
777DFEH09POL2	L	L777DFEH09POL2		
777DFEH09POL2RM5	L	L777DFEH09POL2RM5		
777HDA26P	L	L777HDA26P		
777HDA26PD1CH3F	L	L777HDA26PD1CH3F		
777HDA26PD1CH3R	L	L777HDA26PD1CH3R		
777HDA26PD1CH4F	L	L777HDA26PD1CH4F		
777HDA26PD1CH4R	L	L777HDA26PD1CH4R		
777HDA26POL2	L	L777HDA26POL2		
777HDA26PVF	L	L777HDA26PVF		
777HDA26PVFM	L	L777HDA26PVFM		
777HDAG26P	L	L777HDAG26P		
777HDAG26POL2	L	L777HDAG26POL2		
777HDAG26POL2RM5	L	L777HDAG26POL2RM5		
777HDAG26POL2RM8	L	L777HDAG26POL2RM8		
777HDAH26P	L	L777HDAH26P		
777HDAH26POL2	L	L777HDAH26POL2		
777HDAH26POL2RM5	L	L777HDAH26POL2RM5		
777HDAH26POL2RM8	L	L777HDAH26POL2RM8		
777HDB44P	L	L777HDB44P		
777HDB44PD1CH3F	L	L777HDB44PD1CH3F		

ASF "own" and original PN's not RoHs		Compliant RoHs PN's WITH or WHITHOUT " L " to be ordered with " L "		
		Compliant PN's since the 1st of July 2005 to be ordered with " L "		
		PN's not RoHs, to be ordered WITHOUT the " L " untill new information		
Original Part Numbers		RoHs part numbers (all connectors are with tinned shells)	What has changed to be RoHs	To be changed to be RoHs
777HDB44PD1CH3R	L	L777HDB44PD1CH3R		
777HDB44PD1CH4F	L	L777HDB44PD1CH4F		
777HDB44PD1CH4R	L	L777HDB44PD1CH4R		
777HDB44POL2	L	L777HDB44POL2		
777HDB44PVF	L	L777HDB44PVF		
777HDB44PVFM	L	L777HDB44PVFM		
777HDBG44P	L	L777HDBG44P		
777HDBG44POL2	L	L777HDBG44POL2		
777HDBG44POL2RM5	L	L777HDBG44POL2RM5		
777HDBG44POL2RM8	L	L777HDBG44POL2RM8		
777HDBH44P	L	L777HDBH44P		
777HDBH44POL2	L	L777HDBH44POL2		
777HDBH44POL2RM5	L	L777HDBH44POL2RM5		
777HDBH44POL2RM8	L	L777HDBH44POL2RM8		
777HDC62P	L	L777HDC62P		
777HDC62PD1CH3F	L	L777HDC62PD1CH3F		
777HDC62PD1CH3R	L	L777HDC62PD1CH3R		
777HDC62PD1CH4F	L	L777HDC62PD1CH4F		
777HDC62PD1CH4R	L	L777HDC62PD1CH4R		
777HDC62POL2	L	L777HDC62POL2		
777HDC62PVF	L	L777HDC62PVF		
777HDC62PVFM	L	L777HDC62PVFM		
777HDCG62P	L	L777HDCG62P		
777HDCG62POL2	L	L777HDCG62POL2		
777HDCG62POL2RM5	L	L777HDCG62POL2RM5		
777HDCG62POL2RM8	L	L777HDCG62POL2RM8		
777HDCH62P	L	L777HDCH62P		
777HDCH62POL2	L	L777HDCH62POL2		
777HDCH62POL2RM5	L	L777HDCH62POL2RM5		
777HDCH62POL2RM8	L	L777HDCH62POL2RM8		
777HDD78P	L	L777HDD78P		
777HDD78POL2	L	L777HDD78POL2		
777HDD78PVF	L	L777HDD78PVF		

ASF "own" and original PN's not RoHs		Compliant RoHs PN's WITH or WITHOUT " L " → to be ordered with " L "		
		Compliant PN's since the 1st of July 2005 → to be ordered with " L "		
		PN's not RoHs, to be ordered WITHOUT the " L " until new information		
Original Part Numbers		RoHs part numbers (all connectors are with tinned shells)	What has changed to be RoHs	To be changed to be RoHs
777HDD78PVFM	L	L777HDD78PVFM		
777HDDG78P	L	L777HDDG78P		
777HDDG78POL2	L	L777HDDG78POL2		
777HDDG78POL2RM5	L	L777HDDG78POL2RM5		
777HDDG78POL2RM8	L	L777HDDG78POL2RM8		
777HDDH78P	L	L777HDDH78P		
777HDDH78POL2	L	L777HDDH78POL2		
777HDDH78POL2RM8	L	L777HDDH78POL2RM8		
777HDE15P	L	L777HDE15P		
777HDE15PD1CH3F	L	L777HDE15PD1CH3F		
777HDE15PD1CH3R	L	L777HDE15PD1CH3R		
777HDE15PD1CH4F	L	L777HDE15PD1CH4F		
777HDE15PD1CH4R	L	L777HDE15PD1CH4R		
777HDE15POL2	L	L777HDE15POL2		
777HDE15PVF	L	L777HDE15PVF		
777HDE15PVFM	L	L777HDE15PVFM		
777HDEG15P	L	L777HDEG15P		
777HDEG15POL2	L	L777HDEG15POL2		
777HDEG15POL2RM5	L	L777HDEG15POL2RM5		
777HDEG15POL2RM8	L	L777HDEG15POL2RM8		
777HDEH15P	L	L777HDEH15P		
777HDEH15POL2	L	L777HDEH15POL2		
777HDEH15POL2RM5	L	L777HDEH15POL2RM5		
777HDEH15POL2RM8	L	L777HDEH15POL2RM8		
777HDH78POL2RM5	L	L777HDH78POL2RM5		
777HRA26P	L	L777HRA26P		
777HRA26PVF	L	L777HRA26PVF		
777HRA26PVFM	L	L777HRA26PVFM		
777HRAG26P	L	L777HRAG26P		
777HRAH26P	L	L777HRAH26P		
777HRB44P	L	L777HRB44P		
777HRB44PVF	L	L777HRB44PVF		
777HRB44PVFM	L	L777HRB44PVFM		

ASF "own" and original PN's not RoHs		Compliant RoHs PN's WITH or WHITHOUT " L " →to be ordered with " L "		
		Compliant PN's since the 1st of July 2005 →to be ordered with " L "		
		PN's not RoHs, to be ordered WITHOUT the " L " untill new information		
Original Part Numbers		RoHs part numbers (all connectors are with tinned shells)	What has changed to be RoHs	To be changed to be RoHs
777HRBG44P	L	L777HRBG44P		
777HRBH44P	L	L777HRBH44P		
777HRC62P	L	L777HRC62P		
777HRC62PVF	L	L777HRC62PVF		
777HRC62PVFM	L	L777HRC62PVFM		
777HRCG62P	L	L777HRCG62P		
777HRCH62P	L	L777HRCH62P		
777HRD78P	L	L777HRD78P		
777HRD78PVF	L	L777HRD78PVF		
777HRD78PVFM	L	L777HRD78PVFM		
777HRDG78P	L	L777HRDG78P		
777HRDH78P	L	L777HRDH78P		
777HRE15P	L	L777HRE15P		
777HRE15PVF	L	L777HRE15PVF		
777HRE15PVFM	L	L777HRE15PVFM		
777HREG15P	L	L777HREG15P		
777HREH15P	L	L777HREH15P		
777RRA15P	L	L777RRA15P		
777RRA15PVF	L	L777RRA15PVF		
777RRA15PVFM	L	L777RRA15PVFM		
777RRAG15P	L	L777RRAG15P		
777RRAH15P	L	L777RRAH15P		
777RRB25P	L	L777RRB25P		
777RRB25PVF	L	L777RRB25PVF		
777RRB25PVFM	L	L777RRB25PVFM		
777RRBG25P	L	L777RRBG25P		
777RRBH25P	L	L777RRBH25P		
777RRC37P	L	L777RRC37P		
777RRC37PVF	L	L777RRC37PVF		
777RRC37PVFM	L	L777RRC37PVFM		
777RRCG37P	L	L777RRCG37P		
777RRCH37P	L	L777RRCH37P		
777RRD50P	L	L777RRD50P		
777RRD50PVF	L	L777RRD50PVF		

ASF "own" and original PN's not RoHs		Compliant RoHs PN's WITH or WHITHOUT " L " to be ordered with " L "		
		Compliant PN's since the 1st of July 2005 to be ordered with " L "		
		PN's not RoHs, to be ordered WITHOUT the " L " untill new information		
Original Part Numbers		RoHs part numbers (all connectors are with tinned shells)	What has changed to be RoHs	To be changed to be RoHs
777RRD50PVFM	L	L777RRD50PVFM		
777RRDG50P	L	L777RRDG50P		
777RRDH50P	L	L777RRDH50P		
777RRE09P	L	L777RRE09P		
777RRE09PVF	L	L777RRE09PVF		
777RRE09PVFM	L	L777RRE09PVFM		
777RREG09P	L	L777RREG09P		
777RREH09P	L	L777RREH09P		
777SDA15P	L	L777SDA15P		
777SDA15P1ACH3F	L	L777SDA15P1ACH3F		
777SDA15P1ACH3R	L	L777SDA15P1ACH3R		
777SDA15P1ACH4F	L	L777SDA15P1ACH4F		
777SDA15P1ACH4R	L	L777SDA15P1ACH4R		
777SDA15PA4CH3F	L	L777SDA15PA4CH3F		
777SDA15PA4CH3R	L	L777SDA15PA4CH3R		
777SDA15PA4CH4F	L	L777SDA15PA4CH4F		
777SDA15PA4CH4R	L	L777SDA15PA4CH4R		
777SDA15PABCH3F	L	L777SDA15PABCH3F		
777SDA15PABCH3R	L	L777SDA15PABCH3R		
777SDA15PABCH4F	L	L777SDA15PABCH4F		
777SDA15PABCH4R	L	L777SDA15PABCH4R		
777SDA15POL2	L	L777SDA15POL2		
777SDA15POL2G	L	L777SDA15POL2G		
777SDA15PVF	L	L777SDA15PVF		
777SDA15PVFM	L	L777SDA15PVFM		
777SDAG15P	L	L777SDAG15P		
777SDAG15POL2	L	L777SDAG15POL2		
777SDAG15POL2G	L	L777SDAG15POL2G		
777SDAG15POL2RM5	L	L777SDAG15POL2RM5		
777SDAG15POL2RM5G	L	L777SDAG15POL2RM5G		
777SDAG15POL2RM8	L	L777SDAG15POL2RM8		
777SDAG15POL2RM8G	L	L777SDAG15POL2RM8G		
777SDAH15P	L	L777SDAH15P		
777SDAH15POL2	L	L777SDAH15POL2		

ASF "own" and original PN's not RoHs		Compliant RoHs PN's WITH or WHITHOUT " L " to be ordered with " L "		
		Compliant PN's since the 1st of July 2005 to be ordered with " L "		
		PN's not RoHs, to be ordered WITHOUT the " L " untill new information		
Original Part Numbers		RoHs part numbers (all connectors are with tinned shells)	What has changed to be RoHs	To be changed to be RoHs
777SDAH15POL2G	L	L777SDAH15POL2G		
777SDAH15POL2RM5	L	L777SDAH15POL2RM5		
777SDAH15POL2RM5G	L	L777SDAH15POL2RM5G		
777SDAH15POL2RM8	L	L777SDAH15POL2RM8		
777SDAH15POL2RM8G	L	L777SDAH15POL2RM8G		
777SDB25P	L	L777SDB25P		
777SDB25P1ACH3F	L	L777SDB25P1ACH3F		
777SDB25P1ACH3R	L	L777SDB25P1ACH3R		
777SDB25P1ACH4F	L	L777SDB25P1ACH4F		
777SDB25P1ACH4R	L	L777SDB25P1ACH4R		
777SDB25PA4CH3F	L	L777SDB25PA4CH3F		
777SDB25PA4CH3R	L	L777SDB25PA4CH3R		
777SDB25PA4CH4F	L	L777SDB25PA4CH4F		
777SDB25PA4CH4R	L	L777SDB25PA4CH4R		
777SDB25PABCH3F	L	L777SDB25PABCH3F		
777SDB25PABCH3R	L	L777SDB25PABCH3R		
777SDB25PABCH4F	L	L777SDB25PABCH4F		
777SDB25PABCH4R	L	L777SDB25PABCH4R		
777SDB25POL2	L	L777SDB25POL2		
777SDB25POL2G	L	L777SDB25POL2G		
777SDB25PVF	L	L777SDB25PVF		
777SDB25PVFM	L	L777SDB25PVFM		
777SDBG25P	L	L777SDBG25P		
777SDBG25POL2	L	L777SDBG25POL2		
777SDBG25POL2G	L	L777SDBG25POL2G		
777SDBG25POL2RM5	L	L777SDBG25POL2RM5		
777SDBG25POL2RM5G	L	L777SDBG25POL2RM5G		
777SDBG25POL2RM8	L	L777SDBG25POL2RM8		
777SDBG25POL2RM8G	L	L777SDBG25POL2RM8G		
777SDBH25P	L	L777SDBH25P		
777SDBH25POL2	L	L777SDBH25POL2		
777SDBH25POL2G	L	L777SDBH25POL2G		
777SDBH25POL2RM5	L	L777SDBH25POL2RM5		

ASF "own" and original PN's not RoHs		Compliant RoHs PN's WITH or WHITHOUT " L " to be ordered with " L "		
		Compliant PN's since the 1st of July 2005 to be ordered with " L "		
		PN's not RoHs, to be ordered WITHOUT the " L " untill new information		
Original Part Numbers		RoHs part numbers (all connectors are with tinned shells)	What has changed to be RoHs	To be changed to be RoHs
777SDBH25POL2RM5G	L	L777SDBH25POL2RM5G		
777SDBH25POL2RM8	L	L777SDBH25POL2RM8		
777SDBH25POL2RM8G	L	L777SDBH25POL2RM8G		
777SDC37P	L	L777SDC37P		
777SDC37P1ACH3F	L	L777SDC37P1ACH3F		
777SDC37P1ACH3R	L	L777SDC37P1ACH3R		
777SDC37P1ACH4F	L	L777SDC37P1ACH4F		
777SDC37P1ACH4R	L	L777SDC37P1ACH4R		
777SDC37PA4CH3F	L	L777SDC37PA4CH3F		
777SDC37PA4CH3R	L	L777SDC37PA4CH3R		
777SDC37PA4CH4F	L	L777SDC37PA4CH4F		
777SDC37PA4CH4R	L	L777SDC37PA4CH4R		
777SDC37PABCH3F	L	L777SDC37PABCH3F		
777SDC37PABCH3R	L	L777SDC37PABCH3R		
777SDC37PABCH4F	L	L777SDC37PABCH4F		
777SDC37PABCH4R	L	L777SDC37PABCH4R		
777SDC37POL2	L	L777SDC37POL2		
777SDC37POL2G	L	L777SDC37POL2G		
777SDC37PVF	L	L777SDC37PVF		
777SDC37PVFM	L	L777SDC37PVFM		
777SDCG37P	L	L777SDCG37P		
777SDCG37POL2	L	L777SDCG37POL2		
777SDCG37POL2G	L	L777SDCG37POL2G		
777SDCG37POL2RM5	L	L777SDCG37POL2RM5		
777SDCG37POL2RM5G	L	L777SDCG37POL2RM5G		
777SDCG37POL2RM8	L	L777SDCG37POL2RM8		
777SDCG37POL2RM8G	L	L777SDCG37POL2RM8G		
777SDCH37P	L	L777SDCH37P		
777SDCH37POL2	L	L777SDCH37POL2		
777SDCH37POL2G	L	L777SDCH37POL2G		
777SDCH37POL2RM5	L	L777SDCH37POL2RM5		
777SDCH37POL2RM5G	L	L777SDCH37POL2RM5G		
777SDCH37POL2RM8	L	L777SDCH37POL2RM8		

ASF "own" and original PN's not RoHs		Compliant RoHs PN's WITH or WHITHOUT " L " to be ordered with " L "		
		Compliant PN's since the 1st of July 2005 to be ordered with " L "		
		PN's not RoHs, to be ordered WITHOUT the " L " until new information		
Original Part Numbers		RoHs part numbers (all connectors are with tinned shells)	What has changed to be RoHs	To be changed to be RoHs
777SDCH37POL2RM8G	L	L777SDCH37POL2RM8G		
777SDD50P	L	L777SDD50P		
777SDD50POL2	L	L777SDD50POL2		
777SDD50POL2G	L	L777SDD50POL2G		
777SDD50PVF	L	L777SDD50PVF		
777SDD50PVFM	L	L777SDD50PVFM		
777SDDG50P	L	L777SDDG50P		
777SDDG50POL2	L	L777SDDG50POL2		
777SDDG50POL2G	L	L777SDDG50POL2G		
777SDDG50POL2RM5	L	L777SDDG50POL2RM5		
777SDDG50POL2RM5G	L	L777SDDG50POL2RM5G		
777SDDG50POL2RM8	L	L777SDDG50POL2RM8		
777SDDG50POL2RM8G	L	L777SDDG50POL2RM8G		
777SDDH50P	L	L777SDDH50P		
777SDDH50POL2	L	L777SDDH50POL2		
777SDDH50POL2G	L	L777SDDH50POL2G		
777SDDH50POL2RM5G	L	L777SDDH50POL2RM5G		
777SDDH50POL2RM8	L	L777SDDH50POL2RM8		
777SDDH50POL2RM8G	L	L777SDDH50POL2RM8G		
777SDE09P	L	L777SDE09P		
777SDE09P1ACH3F	L	L777SDE09P1ACH3F		
777SDE09P1ACH3R	L	L777SDE09P1ACH3R		
777SDE09P1ACH4F	L	L777SDE09P1ACH4F		
777SDE09P1ACH4R	L	L777SDE09P1ACH4R		
777SDE09PA4CH3F	L	L777SDE09PA4CH3F		
777SDE09PA4CH3R	L	L777SDE09PA4CH3R		
777SDE09PA4CH4F	L	L777SDE09PA4CH4F		
777SDE09PA4CH4R	L	L777SDE09PA4CH4R		
777SDE09PABCH3F	L	L777SDE09PABCH3F		
777SDE09PABCH3R	L	L777SDE09PABCH3R		
777SDE09PABCH4F	L	L777SDE09PABCH4F		
777SDE09PABCH4R	L	L777SDE09PABCH4R		
777SDE09POL2	L	L777SDE09POL2		

ASF "own" and original PN's not RoHs		Compliant RoHs PN's WITH or WHITHOUT " L " to be ordered with " L "		
		Compliant PN's since the 1st of July 2005 to be ordered with " L "		
		PN's not RoHs, to be ordered WITHOUT the " L " untill new information		
Original Part Numbers		RoHs part numbers (all connectors are with tinned shells)	What has changed to be RoHs	To be changed to be RoHs
777SDE09POL2G	L	L777SDE09POL2G		
777SDE09PVF	L	L777SDE09PVF		
777SDE09PVFM	L	L777SDE09PVFM		
777SDEG09P	L	L777SDEG09P		
777SDEG09POL2	L	L777SDEG09POL2		
777SDEG09POL2G	L	L777SDEG09POL2G		
777SDEG09POL2RM5	L	L777SDEG09POL2RM5		
777SDEG09POL2RM5G	L	L777SDEG09POL2RM5G		
777SDEG09POL2RM8	L	L777SDEG09POL2RM8		
777SDEG09POL2RM8G	L	L777SDEG09POL2RM8G		
777SDEH09P	L	L777SDEH09P		
777SDEH09POL2	L	L777SDEH09POL2		
777SDEH09POL2G	L	L777SDEH09POL2G		
777SDEH09POL2RM5	L	L777SDEH09POL2RM5		
777SDEH09POL2RM5G	L	L777SDEH09POL2RM5G		
777SDEH09POL2RM8	L	L777SDEH09POL2RM8		
777SDEH09POL2RM8G	L	L777SDEH09POL2RM8G		
777SDH50POL2RM5	L	L777SDH50POL2RM5		
777TSAG15POL2	L	L777TSAG15POL2		
777TSAG15POL2RM5	L	L777TSAG15POL2RM5		
777TSAG15POL2RM8	L	L777TSAG15POL2RM8		
777TSAH15POL2	L	L777TSAH15POL2		
777TSAH15POL2RM5	L	L777TSAH15POL2RM5		
777TSAH15POL2RM8	L	L777TSAH15POL2RM8		
777TSBG25POL2	L	L777TSBG25POL2		
777TSBG25POL2RM5	L	L777TSBG25POL2RM5		
777TSBG25POL2RM8	L	L777TSBG25POL2RM8		
777TSBH25POL2	L	L777TSBH25POL2		
777TSBH25POL2RM5	L	L777TSBH25POL2RM5		
777TSBH25POL2RM8	L	L777TSBH25POL2RM8		
777TSCG37POL2	L	L777TSCG37POL2		
777TSCG37POL2RM5	L	L777TSCG37POL2RM5		
777TSCG37POL2RM8	L	L777TSCG37POL2RM8		

ASF "own" and original PN's not RoHs		Compliant RoHs PN's WITH or WHITHOUT " L " to be ordered with " L "		
		Compliant PN's since the 1st of July 2005 to be ordered with " L "		
		PN's not RoHs, to be ordered WITHOUT the " L " untill new information		
Original Part Numbers		RoHs part numbers (all connectors are with tinned shells)	What has changed to be RoHs	To be changed to be RoHs
777TSCH37POL2	L	L777TSCH37POL2		
777TSCH37POL2RM5	L	L777TSCH37POL2RM5		
777TSCH37POL2RM8	L	L777TSCH37POL2RM8		
777TSEG09POL2	L	L777TSEG09POL2		
777TSEG09POL2RM5	L	L777TSEG09POL2RM5		
777TSEG09POL2RM8	L	L777TSEG09POL2RM8		
777TSEH09POL2	L	L777TSEH09POL2		
777TSEH09POL2RM5	L	L777TSEH09POL2RM5		
777TSEH09POL2RM8	L	L777TSEH09POL2RM8		
777TWA3W3PEP3V4RRM6	L	L777TWA3W3PEP3V4RRM6		
777TWA3W3PMP2V4RRM6	L	L777TWA3W3PMP2V4RRM6		
777TWA3W3PMP3V3FRM6	L	L777TWA3W3PMP3V3FRM6		
777TWA3W3PMP3V4RRM6	L	L777TWA3W3PMP3V4RRM6		
777TWA3W3PP2Y	L	L777TWA3W3PP2Y		
777TWA7W2P4F	L	L777TWA7W2P4F		
777TWA7W2PP2SY	L	L777TWA7W2PP2SY		
777TWA7W2PP3SY	L	L777TWA7W2PP3SY		
777TWB13W3P	L	L777TWB13W3P		
777TWB17W2P	L	L777TWB17W2P		
777TWB17W2P4R	L	L777TWB17W2P4R		
777TWB5W5PP3Y	L	L777TWB5W5PP3Y		
777TWC21WA4P	L	L777TWC21WA4P		
777TWC25W3P	L	L777TWC25W3P		
777TWC8W8PMCV3FRM6	L	L777TWC8W8PMCV3FRM6		
777TWD24W7P	L	L777TWD24W7P		
777TWD36W4P	L	L777TWD36W4P		
777TWD36W4PSY	L	L777TWD36W4PSY		
777TWD36W4PSY3F	L	L777TWD36W4PSY3F		
777TWE5W1PSY	L	L777TWE5W1PSY		
77DA15P1ATN	L	L77DA15P1ATN		Cts Tails :from tin-lead to tin or gold
77DA15S	L	L77DA15S		
77DA15S1AON	L	L77DA15S1AON		Cts Tails :from tin-lead to tin or gold
77DA15S1AONVF	L	L77DA15S1AONVF		Cts Tails :from tin-lead to tin or gold

ASF "own" and original PN's not RoHs		Compliant RoHs PN's WITH or WHITHOUT " L " to be ordered with " L "		
		Compliant PN's since the 1st of July 2005 to be ordered with " L "		
		PN's not RoHs, to be ordered WITHOUT the " L " untill new information		
Original Part Numbers		RoHs part numbers (all connectors are with tinned shells)	What has changed to be RoHs	To be changed to be RoHs
77DA15SAM4BRM6	L	L77DA15SAM4BRM6		Cts Tails :from tin-lead to tin or gold
77DA15SAZ4	L	L77DA15SAZ4		Cts Tails :from tin-lead to tin or gold
77DA15SC309	L	L77DA15SC309		
77DA15SF179	L	L77DA15SF179		
77DA15SF179A	L	L77DA15SF179A		
77DA15SOL2	L	L77DA15SOL2		
77DA15SOL2R063	L	L77DA15SOL2R063		
77DA15SOL2RM8	L	L77DA15SOL2RM8		
77DA15SST	L	L77DA15SST		
77DA15SST1	L	L77DA15SST1		
77DA15SST2	L	L77DA15SST2		
77DA15SST3	L	L77DA15SST3		
77DA15SST4	L	L77DA15SST4		
77DA15ST	L	L77DA15ST		
77DA15STR063	L	L77DA15STR063		
77DA15SVF	L	L77DA15SVF		
77DAG15S1AMN	L	L77DAG15S1AMN		Cts Tails :from tin-lead to tin or gold
77DAG15SOL2RM5	L	L77DAG15SOL2RM5		
77DAH15S	L	L77DAH15S		
77DAH15S1AMRRM6	L	L77DAH15S1AMRRM6		Cts Tails :from tin-lead to tin or gold
77DAH15S1AON	L	L77DAH15S1AON		Cts Tails :from tin-lead to tin or gold
77DAH15SOL2	L	L77DAH15SOL2		
77DAH15SOL2RM5	L	L77DAH15SOL2RM5		
77DAH15SU	L	L77DAH15SU		
77DAM11W1S	L	L77DAM11W1S		Cts Tails :from tin-lead to tin or gold
77DAM11W1S1ATN	L	L77DAM11W1S1ATN		Cts Tails :from tin-lead to tin or gold
77DAM11W1SF179A	L	L77DAM11W1SF179A		Cts Tails :from tin-lead to tin or gold
77DAM3W3S	L	L77DAM3W3S		
77DAM3W3S1AMN	L	L77DAM3W3S1AMN		Cts Tails :from tin-lead to tin or gold
77DAM3W3SARM6	L	L77DAM3W3SARM6		Cts Tails :from tin-lead to tin or gold
77DAM7W2S	L	L77DAM7W2S		Cts Tails :from tin-lead to tin or gold
77DAMG11W1SF179A	L	L77DAMG11W1SF179A		Cts Tails :from tin-lead to tin or gold
77DAMH3W3S	L	L77DAMH3W3S		

ASF "own" and original PN's not RoHs		Compliant RoHs PN's WITH or WHITHOUT " L " to be ordered with " L "		
		Compliant PN's since the 1st of July 2005 to be ordered with " L "		
		PN's not RoHs, to be ordered WITHOUT the " L " untill new information		
Original Part Numbers		RoHs part numbers (all connectors are with tinned shells)	What has changed to be RoHs	To be changed to be RoHs
77DB25P	L	L77DB25P		
77DB25PF179A	L	L77DB25PF179A		
77DB25S	L	L77DB25S		
77DB25S1AMN	L	L77DB25S1AMN		Cts Tails :from tin-lead to tin or gold
77DB25S1AON	L	L77DB25S1AON		Cts Tails :from tin-lead to tin or gold
77DB25S1APN	L	L77DB25S1APN		Cts Tails :from tin-lead to tin or gold
77DB25S1BUN	L	L77DB25S1BUN		Cts Tails :from tin-lead to tin or gold
77DB25SA4CH4RC309	L	L77DB25SA4CH4RC309		Cts Tails :from tin-lead to tin or gold
77DB25SAM4B	L	L77DB25SAM4B		Cts Tails :from tin-lead to tin or gold
77DB25SAM4BRM6	L	L77DB25SAM4BRM6		Cts Tails :from tin-lead to tin or gold
77DB25SAZ4	L	L77DB25SAZ4		Cts Tails :from tin-lead to tin or gold
77DB25SAZ4VFM	L	L77DB25SAZ4VFM		Cts Tails :from tin-lead to tin or gold
77DB25SC309	L	L77DB25SC309		
77DB25SCVF	L	L77DB25SCVF		Cts Tails :from tin-lead to tin or gold
77DB25SF179	L	L77DB25SF179		
77DB25SF179A	L	L77DB25SF179A		
77DB25SOL2	L	L77DB25SOL2		
77DB25SOL2C309	L	L77DB25SOL2C309		
77DB25SOL2RM8	L	L77DB25SOL2RM8		
77DB25SST	L	L77DB25SST		
77DB25SST1	L	L77DB25SST1		
77DB25SST2	L	L77DB25SST2		
77DB25SST3	L	L77DB25SST3		
77DB25SST4	L	L77DB25SST4		
77DB25ST	L	L77DB25ST		
77DB25STR063	L	L77DB25STR063		
77DB25STS04	L	L77DB25STS04		
77DB25STVF	L	L77DB25STVF		
77DB25SVF	L	L77DB25SVF		
77DBF25S	L	L77DBF25S		
77DBG25S	L	L77DBG25S		
77DBG25S1AMN	L	L77DBG25S1AMN		Cts Tails :from tin-lead to tin or gold
77DBG25S1BMN	L	L77DBG25S1BMN		Cts Tails :from tin-lead to tin or gold

ASF "own" and original PN's not RoHs		Compliant RoHs PN's WITH or WHITHOUT " L " to be ordered with " L "		
		Compliant PN's since the 1st of July 2005 to be ordered with " L "		
		PN's not RoHs, to be ordered WITHOUT the " L " untill new information		
Original Part Numbers		RoHs part numbers (all connectors are with tinned shells)	What has changed to be RoHs	To be changed to be RoHs
77DBG25S1BMNC309	L	L77DBG25S1BMNC309		Cts Tails :from tin-lead to tin or gold
77DBG25SOL2	L	L77DBG25SOL2		
77DBG25SOL2RM5	L	L77DBG25SOL2RM5		
77DBG25ST	L	L77DBG25ST		
77DBH25S	L	L77DBH25S		
77DBH25SF179A	L	L77DBH25SF179A		
77DBH25SOL2	L	L77DBH25SOL2		
77DBH25SOL2RM5	L	L77DBH25SOL2RM5		
77DBH25ST	L	L77DBH25ST		
77DBM13W3S	L	L77DBM13W3S		Cts Tails :from tin-lead to tin or gold
77DBM17W2S	L	L77DBM17W2S		Cts Tails :from tin-lead to tin or gold
77DBM17W2SOL3	L	L77DBM17W2SOL3		Cts Tails :from tin-lead to tin or gold
77DBM21W1S	L	L77DBM21W1S		Cts Tails :from tin-lead to tin or gold
77DBM5W5S	L	L77DBM5W5S		
77DBM9W4S	L	L77DBM9W4S		Cts Tails :from tin-lead to tin or gold
77DBM9W4SOL3	L	L77DBM9W4SOL3		Cts Tails :from tin-lead to tin or gold
77DBMG13W3S	L	L77DBMG13W3S		Cts Tails :from tin-lead to tin or gold
77DBMG17W2SOL3	L	L77DBMG17W2SOL3		Cts Tails :from tin-lead to tin or gold
77DBMH17W2SA	L	L77DBMH17W2SA		Cts Tails :from tin-lead to tin or gold
77DBMH5W5S	L	L77DBMH5W5S		
77DC37P	L	L77DC37P		
77DC37S	L	L77DC37S		
77DC37S1AON	L	L77DC37S1AON		Cts Tails :from tin-lead to tin or gold
77DC37S1BON	L	L77DC37S1BON		Cts Tails :from tin-lead to tin or gold
77DC37SAJ4	L	L77DC37SAJ4		Cts Tails :from tin-lead to tin or gold
77DC37SAM4B	L	L77DC37SAM4B		Cts Tails :from tin-lead to tin or gold
77DC37SAM4BRM6	L	L77DC37SAM4BRM6		Cts Tails :from tin-lead to tin or gold
77DC37SAZ4	L	L77DC37SAZ4		Cts Tails :from tin-lead to tin or gold
77DC37SC309	L	L77DC37SC309		
77DC37SF179	L	L77DC37SF179		
77DC37SOL2	L	L77DC37SOL2		
77DC37SOL2R063	L	L77DC37SOL2R063		
77DC37SOL2RM8	L	L77DC37SOL2RM8		

ASF "own" and original PN's not RoHs		Compliant RoHs PN's WITH or WHITHOUT " L " to be ordered with " L "		
		Compliant PN's since the 1st of July 2005 to be ordered with " L "		
		PN's not RoHs, to be ordered WITHOUT the " L " untill new information		
Original Part Numbers		RoHs part numbers (all connectors are with tinned shells)	What has changed to be RoHs	To be changed to be RoHs
77DC37STR063	L	L77DC37STR063		
77DCG37SOL2RM5	L	L77DCG37SOL2RM5		
77DCH37S	L	L77DCH37S		
77DCH37SAM4B	L	L77DCH37SAM4B		Cts Tails :from tin-lead to tin or gold
77DCH37SOL2	L	L77DCH37SOL2		
77DCH37SOL2RM5	L	L77DCH37SOL2RM5		
77DCH37ST	L	L77DCH37ST		
77DCM13W6S	L	L77DCM13W6S		Cts Tails :from tin-lead to tin or gold
77DCM17W5S	L	L77DCM17W5S		Cts Tails :from tin-lead to tin or gold
77DCM21WA4S	L	L77DCM21WA4S		Cts Tails :from tin-lead to tin or gold
77DCM21WA4SOL3	L	L77DCM21WA4SOL3		Cts Tails :from tin-lead to tin or gold
77DCM21WA4SOL3RM8	L	L77DCM21WA4SOL3RM8		Cts Tails :from tin-lead to tin or gold
77DCM8W8P	L	L77DCM8W8P		
77DCM8W8S	L	L77DCM8W8S		
77DCM8W8SRM8	L	L77DCM8W8SRM8		
77DCMF8W8S	L	L77DCMF8W8S		
77DCMG21WA4SOL3RM5	L	L77DCMG21WA4SOL3RM5		Cts Tails :from tin-lead to tin or gold
77DCMH17W5SOL3RM5	L	L77DCMH17W5SOL3RM5		Cts Tails :from tin-lead to tin or gold
77DD50S	L	L77DD50S		
77DD50S1AON	L	L77DD50S1AON		Cts Tails :from tin-lead to tin or gold
77DD50S1APN	L	L77DD50S1APN		Cts Tails :from tin-lead to tin or gold
77DD50SC309	L	L77DD50SC309		
77DD50SF179	L	L77DD50SF179		
77DD50SF179A	L	L77DD50SF179A		
77DD50SOL2	L	L77DD50SOL2		
77DD50SOL2RM8	L	L77DD50SOL2RM8		
77DD50STR063	L	L77DD50STR063		
77DDG50S1AMN	L	L77DDG50S1AMN		Cts Tails :from tin-lead to tin or gold
77DDG50SAM4RM6	L	L77DDG50SAM4RM6		Cts Tails :from tin-lead to tin or gold
77DDG50SOL2RM5	L	L77DDG50SOL2RM5		
77DDH50S1AMN	L	L77DDH50S1AMN		Cts Tails :from tin-lead to tin or gold
77DDH50SAM4B	L	L77DDH50SAM4B		Cts Tails :from tin-lead to tin or gold
77DDM24W7S	L	L77DDM24W7S		

ASF "own" and original PN's not RoHs		Compliant RoHs PN's WITH or WHITHOUT " L " to be ordered with " L "		
		Compliant PN's since the 1st of July 2005 to be ordered with " L "		
		PN's not RoHs, to be ordered WITHOUT the " L " untill new information		
Original Part Numbers		RoHs part numbers (all connectors are with tinned shells)	What has changed to be RoHs	To be changed to be RoHs
77DDM24W7SF179A	L	L77DDM24W7SF179A		
77DDM24W7SOL3	L	L77DDM24W7SOL3		Cts Tails :from tin-lead to tin or gold
77DDMF36W4S	L	L77DDMF36W4S		Cts Tails :from tin-lead to tin or gold
77DE09S	L	L77DE09S		
77DE09S1AMN	L	L77DE09S1AMN		Cts Tails :from tin-lead to tin or gold
77DE09S1AMRRM6	L	L77DE09S1AMRRM6		Cts Tails :from tin-lead to tin or gold
77DE09S1AON	L	L77DE09S1AON		Cts Tails :from tin-lead to tin or gold
77DE09SA	L	L77DE09SA		Cts Tails :from tin-lead to tin or gold
77DE09SA4CH4F	L	L77DE09SA4CH4F		Cts Tails :from tin-lead to tin or gold
77DE09SAM4	L	L77DE09SAM4		Cts Tails :from tin-lead to tin or gold
77DE09SAM4BRM6	L	L77DE09SAM4BRM6		Cts Tails :from tin-lead to tin or gold
77DE09SC309	L	L77DE09SC309		
77DE09SCC309	L	L77DE09SCC309		Cts Tails :from tin-lead to tin or gold
77DE09SF179	L	L77DE09SF179		
77DE09SF179A	L	L77DE09SF179A		
77DE09SOL2	L	L77DE09SOL2		
77DE09SOL2R063	L	L77DE09SOL2R063		
77DE09SOL2RM8	L	L77DE09SOL2RM8		
77DE09SST	L	L77DE09SST		
77DE09SST1	L	L77DE09SST1		
77DE09SST2	L	L77DE09SST2		
77DE09SST3	L	L77DE09SST3		
77DE09SST4	L	L77DE09SST4		
77DE09ST	L	L77DE09ST		
77DE09STR063	L	L77DE09STR063		
77DE09SVF	L	L77DE09SVF		
77DE09SVFM	L	L77DE09SVFM		
77DEG09S	L	L77DEG09S		
77DEG09S1APN	L	L77DEG09S1APN		Cts Tails :from tin-lead to tin or gold
77DEG09SOL2RM5	L	L77DEG09SOL2RM5		
77DEH09S	L	L77DEH09S		
77DEH09S1AON	L	L77DEH09S1AON		Cts Tails :from tin-lead to tin or gold
77DEH09SAM4	L	L77DEH09SAM4		Cts Tails :from tin-lead to tin or gold

ASF "own" and original PN's not RoHs		Compliant RoHs PN's WITH or WHITHOUT " L " to be ordered with " L "		
		Compliant PN's since the 1st of July 2005 to be ordered with " L "		
		PN's not RoHs, to be ordered WITHOUT the " L " untill new information		
Original Part Numbers		RoHs part numbers (all connectors are with tinned shells)	What has changed to be RoHs	To be changed to be RoHs
77DEH09SAM4B	L	L77DEH09SAM4B		Cts Tails :from tin-lead to tin or gold
77DEH09SF179	L	L77DEH09SF179		
77DEH09SOL2	L	L77DEH09SOL2		
77DEH09SOL2RM5	L	L77DEH09SOL2RM5		
77DEH09ST	L	L77DEH09ST		
77DEH09SU	L	L77DEH09SU		
77DEM5W1S	L	L77DEM5W1S		Cts Tails :from tin-lead to tin or gold
77DFA15P	L	L77DFA15P		
77DFA15P1AON	L	L77DFA15P1AON		Cts Tails :from tin-lead to tin or gold
77DFA15POL2	L	L77DFA15POL2		
77DFA15S	L	L77DFA15S		
77DFA15S1ACH	L	L77DFA15S1ACH		Cts Tails :from tin-lead to tin or gold
77DFA15S1ACH3R	L	L77DFA15S1ACH3R		Cts Tails :from tin-lead to tin or gold
77DFA15S1ACH4F	L	L77DFA15S1ACH4F		Cts Tails :from tin-lead to tin or gold
77DFA15S1AMN	L	L77DFA15S1AMN		Cts Tails :from tin-lead to tin or gold
77DFA15S1AON	L	L77DFA15S1AON		Cts Tails :from tin-lead to tin or gold
77DFA15S1APN	L	L77DFA15S1APN		Cts Tails :from tin-lead to tin or gold
77DFA15S1ATN	L	L77DFA15S1ATN		Cts Tails :from tin-lead to tin or gold
77DFA15S1ATNRM6	L	L77DFA15S1ATNRM6		Cts Tails :from tin-lead to tin or gold
77DFA15SAJ4RM6VF	L	L77DFA15SAJ4RM6VF		Cts Tails :from tin-lead to tin or gold
77DFA15SAM4RM6VF	L	L77DFA15SAM4RM6VF		Cts Tails :from tin-lead to tin or gold
77DFA15SF179A	L	L77DFA15SF179A		
77DFA15SMP10	L	L77DFA15SMP10		
77DFA15SOL2	L	L77DFA15SOL2		
77DFA15SOL2RM8	L	L77DFA15SOL2RM8		
77DFAG15S1AMN	L	L77DFAG15S1AMN		Cts Tails :from tin-lead to tin or gold
77DFAG15SOL2RM5	L	L77DFAG15SOL2RM5		
77DFAH15PARM6	L	L77DFAH15PARM6		Cts Tails :from tin-lead to tin or gold
77DFAH15S1AMNRM6	L	L77DFAH15S1AMNRM6		Cts Tails :from tin-lead to tin or gold
77DFAH15SOL2RM5	L	L77DFAH15SOL2RM5		
77DFAH15STRM5	L	L77DFAH15STRM5		
77DFB25P	L	L77DFB25P		
77DFB25PF179	L	L77DFB25PF179		

ASF "own" and original PN's not RoHs		Compliant RoHs PN's WITH or WHITHOUT " L " to be ordered with " L "		
		Compliant PN's since the 1st of July 2005 to be ordered with " L "		
		PN's not RoHs, to be ordered WITHOUT the " L " untill new information		
Original Part Numbers		RoHs part numbers (all connectors are with tinned shells)	What has changed to be RoHs	To be changed to be RoHs
77DFB25POL2	L	L77DFB25POL2		
77DFB25S	L	L77DFB25S		
77DFB25S1ACH	L	L77DFB25S1ACH		
77DFB25S1ACH3R	L	L77DFB25S1ACH3R		
77DFB25S1ACH4F	L	L77DFB25S1ACH4F		
77DFB25S1AMN	L	L77DFB25S1AMN		
77DFB25S1AON	L	L77DFB25S1AON		
77DFB25S1APN	L	L77DFB25S1APN		
77DFB25S1ATN	L	L77DFB25S1ATN		
77DFB25S1ATNRM6	L	L77DFB25S1ATNRM6		
77DFB25S1AUN	L	L77DFB25S1AUN		
77DFB25SAJ4RM6	L	L77DFB25SAJ4RM6		
77DFB25SAJ4RM6VF	L	L77DFB25SAJ4RM6VF		
77DFB25SAM4	L	L77DFB25SAM4		
77DFB25SF179A	L	L77DFB25SF179A		
77DFB25SMP10	L	L77DFB25SMP10		
77DFB25SMP40	L	L77DFB25SMP40		
77DFB25SOL2	L	L77DFB25SOL2		
77DFB25SOL2R063	L	L77DFB25SOL2R063		
77DFB25SOL2RM8	L	L77DFB25SOL2RM8		
77DFB25STR063	L	L77DFB25STR063		
77DFBF25SMP10	L	L77DFBF25SMP10		
77DFBG25S1AMN	L	L77DFBG25S1AMN		Cts Tails :from tin-lead to tin or gold
77DFBG25SF179	L	L77DFBG25SF179		
77DFBG25SF179A	L	L77DFBG25SF179A		
77DFBG25SOL2	L	L77DFBG25SOL2		
77DFBG25SOL2RM5	L	L77DFBG25SOL2RM5		
77DFBH25S	L	L77DFBH25S		
77DFBH25S1APN	L	L77DFBH25S1APN		Cts Tails :from tin-lead to tin or gold
77DFBH25SOL2RM5	L	L77DFBH25SOL2RM5		
77DFBH25STRM5	L	L77DFBH25STRM5		
77DFC37P	L	L77DFC37P		
77DFC37P1AON	L	L77DFC37P1AON		Cts Tails :from tin-lead to tin or gold

ASF "own" and original PN's not RoHs		Compliant RoHs PN's WITH or WHITHOUT " L " to be ordered with " L "		
		Compliant PN's since the 1st of July 2005 to be ordered with " L "		
		PN's not RoHs, to be ordered WITHOUT the " L " untill new information		
Original Part Numbers		RoHs part numbers (all connectors are with tinned shells)	What has changed to be RoHs	To be changed to be RoHs
77DFC37POL2	L	L77DFC37POL2		
77DFC37S	L	L77DFC37S		
77DFC37S1ACH3R	L	L77DFC37S1ACH3R		Cts Tails :from tin-lead to tin or gold
77DFC37S1AMN	L	L77DFC37S1AMN		Cts Tails :from tin-lead to tin or gold
77DFC37S1AON	L	L77DFC37S1AON		Cts Tails :from tin-lead to tin or gold
77DFC37S1APN	L	L77DFC37S1APN		Cts Tails :from tin-lead to tin or gold
77DFC37S1ATNRM6	L	L77DFC37S1ATNRM6		Cts Tails :from tin-lead to tin or gold
77DFC37SMP10	L	L77DFC37SMP10		
77DFC37SOL2	L	L77DFC37SOL2		
77DFC37SOL2RM8	L	L77DFC37SOL2RM8		
77DFCF37SMP10	L	L77DFCF37SMP10		
77DFCG37SF179	L	L77DFCG37SF179		
77DFCG37SF179A	L	L77DFCG37SF179A		
77DFCG37SOL2RM5	L	L77DFCG37SOL2RM5		
77DFCH37S1AMNRM6	L	L77DFCH37S1AMNRM6		Cts Tails :from tin-lead to tin or gold
77DFCH37SOL2RM5	L	L77DFCH37SOL2RM5		
77DFCH37STRM5	L	L77DFCH37STRM5		
77DFD50S	L	L77DFD50S		
77DFD50S1AMN	L	L77DFD50S1AMN		Cts Tails :from tin-lead to tin or gold
77DFD50S1AMNRM6	L	L77DFD50S1AMNRM6		Cts Tails :from tin-lead to tin or gold
77DFD50S1APN	L	L77DFD50S1APN		Cts Tails :from tin-lead to tin or gold
77DFD50SOL2	L	L77DFD50SOL2		
77DFD50SOL2RM8	L	L77DFD50SOL2RM8		
77DFDG50S1AMNRM6	L	L77DFDG50S1AMNRM6		Cts Tails :from tin-lead to tin or gold
77DFDH50S1AMNRM6	L	L77DFDH50S1AMNRM6		Cts Tails :from tin-lead to tin or gold
77DFDH50SOL2RM5	L	L77DFDH50SOL2RM5		
77DFE09P	L	L77DFE09P		
77DFE09P1ACH3R	L	L77DFE09P1ACH3R		Cts Tails :from tin-lead to tin or gold
77DFE09P1AON	L	L77DFE09P1AON		Cts Tails :from tin-lead to tin or gold
77DFE09POL2	L	L77DFE09POL2		
77DFE09S	L	L77DFE09S		
77DFE09S1ACH	L	L77DFE09S1ACH		Cts Tails :from tin-lead to tin or gold
77DFE09S1ACH3R	L	L77DFE09S1ACH3R		Cts Tails :from tin-lead to tin or gold

ASF "own" and original PN's not RoHs		Compliant RoHs PN's WITH or WHITHOUT " L " to be ordered with " L "		
		Compliant PN's since the 1st of July 2005 to be ordered with " L "		
		PN's not RoHs, to be ordered WITHOUT the " L " untill new information		
Original Part Numbers		RoHs part numbers (all connectors are with tinned shells)	What has changed to be RoHs	To be changed to be RoHs
77DFE09S1ACH4F	L	L77DFE09S1ACH4F		Cts Tails :from tin-lead to tin or gold
77DFE09S1AMN	L	L77DFE09S1AMN		Cts Tails :from tin-lead to tin or gold
77DFE09S1AON	L	L77DFE09S1AON		Cts Tails :from tin-lead to tin or gold
77DFE09S1APN	L	L77DFE09S1APN		Cts Tails :from tin-lead to tin or gold
77DFE09S1ATNRM6	L	L77DFE09S1ATNRM6		Cts Tails :from tin-lead to tin or gold
77DFE09S1AUN	L	L77DFE09S1AUN		Cts Tails :from tin-lead to tin or gold
77DFE09S1BON	L	L77DFE09S1BON		Cts Tails :from tin-lead to tin or gold
77DFE09SAJ4RM6VF	L	L77DFE09SAJ4RM6VF		Cts Tails :from tin-lead to tin or gold
77DFE09SAM4	L	L77DFE09SAM4		Cts Tails :from tin-lead to tin or gold
77DFE09SAM4RM6VF	L	L77DFE09SAM4RM6VF		Cts Tails :from tin-lead to tin or gold
77DFE09SC	L	L77DFE09SC		Cts Tails :from tin-lead to tin or gold
77DFE09SF179A	L	L77DFE09SF179A		
77DFE09SMP10	L	L77DFE09SMP10		
77DFE09SOL2	L	L77DFE09SOL2		
77DFE09SOL2R063	L	L77DFE09SOL2R063		
77DFE09SOL2RM8	L	L77DFE09SOL2RM8		
77DFE09STR063	L	L77DFE09STR063		
77DFE09SU	L	L77DFE09SU		
77DFEF09SMP10	L	L77DFEF09SMP10		
77DFEG09SAZ4	L	L77DFEG09SAZ4		Cts Tails :from tin-lead to tin or gold
77DFEG09SF179	L	L77DFEG09SF179		
77DFEG09SF179A	L	L77DFEG09SF179A		
77DFEG09SOL2RM5	L	L77DFEG09SOL2RM5		
77DFEH09S	L	L77DFEH09S		
77DFEH09SAM4B	L	L77DFEH09SAM4B		Cts Tails :from tin-lead to tin or gold
77DFEH09SOL2RM5	L	L77DFEH09SOL2RM5		
77DFEH09STRM5	L	L77DFEH09STRM5		
77HDA26S	L	L77HDA26S		
77HDA26SC309	L	L77HDA26SC309		
77HDA26SD1CH3F	L	L77HDA26SD1CH3F		
77HDA26SD1CH3FC309	L	L77HDA26SD1CH3FC309		
77HDA26SD1CH3R	L	L77HDA26SD1CH3R		
77HDA26SD1CH3RC309	L	L77HDA26SD1CH3RC309		

ASF "own" and original PN's not RoHs		Compliant RoHs PN's WITH or WHITHOUT " L " to be ordered with " L "		
		Compliant PN's since the 1st of July 2005 to be ordered with " L "		
		PN's not RoHs, to be ordered WITHOUT the " L " until new information		
Original Part Numbers		RoHs part numbers (all connectors are with tinned shells)	What has changed to be RoHs	To be changed to be RoHs
77HDA26SD1CH4F	L	L77HDA26SD1CH4F		
77HDA26SD1CH4FC309	L	L77HDA26SD1CH4FC309		
77HDA26SD1CH4R	L	L77HDA26SD1CH4R		
77HDA26SD1CH4RC309	L	L77HDA26SD1CH4RC309		
77HDA26SOL2	L	L77HDA26SOL2		
77HDA26SOL2C309	L	L77HDA26SOL2C309		
77HDA26SVF	L	L77HDA26SVF		
77HDA26SVFC309	L	L77HDA26SVFC309		
77HDA26SVFM	L	L77HDA26SVFM		
77HDA26SVFMC309	L	L77HDA26SVFMC309		
77HDAG26S	L	L77HDAG26S		
77HDAG26SC309	L	L77HDAG26SC309		
77HDAG26SOL2	L	L77HDAG26SOL2		
77HDAG26SOL2C309	L	L77HDAG26SOL2C309		
77HDAG26SOL2RM5	L	L77HDAG26SOL2RM5		
77HDAG26SOL2RM5C309	L	L77HDAG26SOL2RM5C309		
77HDAG26SOL2RM8	L	L77HDAG26SOL2RM8		
77HDAG26SOL2RM8C309	L	L77HDAG26SOL2RM8C309		
77HDAH26S	L	L77HDAH26S		
77HDAH26SC309	L	L77HDAH26SC309		
77HDAH26SOL2	L	L77HDAH26SOL2		
77HDAH26SOL2C309	L	L77HDAH26SOL2C309		
77HDAH26SOL2RM5	L	L77HDAH26SOL2RM5		
77HDAH26SOL2RM5C309	L	L77HDAH26SOL2RM5C309		
77HDAH26SOL2RM8	L	L77HDAH26SOL2RM8		
77HDAH26SOL2RM8C309	L	L77HDAH26SOL2RM8C309		
77HDB44S	L	L77HDB44S		
77HDB44SC309	L	L77HDB44SC309		
77HDB44SD1CH3F	L	L77HDB44SD1CH3F		
77HDB44SD1CH3FC309	L	L77HDB44SD1CH3FC309		
77HDB44SD1CH3R	L	L77HDB44SD1CH3R		
77HDB44SD1CH3RC309	L	L77HDB44SD1CH3RC309		
77HDB44SD1CH4F	L	L77HDB44SD1CH4F		

ASF "own" and original PN's not RoHs		Compliant RoHs PN's WITH or WHITHOUT " L " to be ordered with " L "		
		Compliant PN's since the 1st of July 2005 to be ordered with " L "		
		PN's not RoHs, to be ordered WITHOUT the " L " untill new information		
Original Part Numbers		RoHs part numbers (all connectors are with tinned shells)	What has changed to be RoHs	To be changed to be RoHs
77HDB44SD1CH4FC309	L	L77HDB44SD1CH4FC309		
77HDB44SD1CH4R	L	L77HDB44SD1CH4R		
77HDB44SD1CH4RC309	L	L77HDB44SD1CH4RC309		
77HDB44SOL2	L	L77HDB44SOL2		
77HDB44SOL2C309	L	L77HDB44SOL2C309		
77HDB44SVF	L	L77HDB44SVF		
77HDB44SVFC309	L	L77HDB44SVFC309		
77HDB44SVFM	L	L77HDB44SVFM		
77HDB44SVFMC309	L	L77HDB44SVFMC309		
77HDBG44S	L	L77HDBG44S		
77HDBG44SC309	L	L77HDBG44SC309		
77HDBG44SOL2	L	L77HDBG44SOL2		
77HDBG44SOL2C309	L	L77HDBG44SOL2C309		
77HDBG44SOL2RM5	L	L77HDBG44SOL2RM5		
77HDBG44SOL2RM5C309	L	L77HDBG44SOL2RM5C309		
77HDBG44SOL2RM8	L	L77HDBG44SOL2RM8		
77HDBG44SOL2RM8C309	L	L77HDBG44SOL2RM8C309		
77HDBH44S	L	L77HDBH44S		
77HDBH44SC309	L	L77HDBH44SC309		
77HDBH44SOL2	L	L77HDBH44SOL2		
77HDBH44SOL2C309	L	L77HDBH44SOL2C309		
77HDBH44SOL2RM5	L	L77HDBH44SOL2RM5		
77HDBH44SOL2RM5C309	L	L77HDBH44SOL2RM5C309		
77HDBH44SOL2RM8	L	L77HDBH44SOL2RM8		
77HDBH44SOL2RM8C309	L	L77HDBH44SOL2RM8C309		
77HDC62S	L	L77HDC62S		
77HDC62SC309	L	L77HDC62SC309		
77HDC62SD1CH3F	L	L77HDC62SD1CH3F		
77HDC62SD1CH3FC309	L	L77HDC62SD1CH3FC309		
77HDC62SD1CH3R	L	L77HDC62SD1CH3R		
77HDC62SD1CH3RC309	L	L77HDC62SD1CH3RC309		
77HDC62SD1CH4F	L	L77HDC62SD1CH4F		
77HDC62SD1CH4FC309	L	L77HDC62SD1CH4FC309		

ASF "own" and original PN's not RoHs		Compliant RoHs PN's WITH or WHITHOUT " L " to be ordered with " L "		
		Compliant PN's since the 1st of July 2005 to be ordered with " L "		
		PN's not RoHs, to be ordered WITHOUT the " L " until new information		
Original Part Numbers		RoHs part numbers (all connectors are with tinned shells)	What has changed to be RoHs	To be changed to be RoHs
77HDC62SD1CH4R	L	L77HDC62SD1CH4R		
77HDC62SD1CH4RC309	L	L77HDC62SD1CH4RC309		
77HDC62SOL2	L	L77HDC62SOL2		
77HDC62SOL2C309	L	L77HDC62SOL2C309		
77HDC62SOL2E	L	L77HDC62SOL2E		
77HDC62SOL2RM8	L	L77HDC62SOL2RM8		
77HDC62SVF	L	L77HDC62SVF		
77HDC62SVFC309	L	L77HDC62SVFC309		
77HDC62SVFM	L	L77HDC62SVFM		
77HDC62SVFMC309	L	L77HDC62SVFMC309		
77HDCG62S	L	L77HDCG62S		
77HDCG62SC309	L	L77HDCG62SC309		
77HDCG62SOL2	L	L77HDCG62SOL2		
77HDCG62SOL2C309	L	L77HDCG62SOL2C309		
77HDCG62SOL2RM5	L	L77HDCG62SOL2RM5		
77HDCG62SOL2RM5C309	L	L77HDCG62SOL2RM5C309		
77HDCG62SOL2RM8	L	L77HDCG62SOL2RM8		
77HDCG62SOL2RM8C309	L	L77HDCG62SOL2RM8C309		
77HDCH62S	L	L77HDCH62S		
77HDCH62SC309	L	L77HDCH62SC309		
77HDCH62SOL2	L	L77HDCH62SOL2		
77HDCH62SOL2C309	L	L77HDCH62SOL2C309		
77HDCH62SOL2RM5	L	L77HDCH62SOL2RM5		
77HDCH62SOL2RM5C309	L	L77HDCH62SOL2RM5C309		
77HDCH62SOL2RM8	L	L77HDCH62SOL2RM8		
77HDCH62SOL2RM8C309	L	L77HDCH62SOL2RM8C309		
77HDD78S	L	L77HDD78S		
77HDD78SC309	L	L77HDD78SC309		
77HDD78SOL2	L	L77HDD78SOL2		
77HDD78SOL2C309	L	L77HDD78SOL2C309		
77HDD78SVF	L	L77HDD78SVF		
77HDD78SVFC309	L	L77HDD78SVFC309		
77HDD78SVFM	L	L77HDD78SVFM		

ASF "own" and original PN's not RoHs		Compliant RoHs PN's WITH or WHITHOUT " L " to be ordered with " L "		
		Compliant PN's since the 1st of July 2005 to be ordered with " L "		
		PN's not RoHs, to be ordered WITHOUT the " L " until new information		
Original Part Numbers		RoHs part numbers (all connectors are with tinned shells)	What has changed to be RoHs	To be changed to be RoHs
77HDD78SVFMC309	L	L77HDD78SVFMC309		
77HDDG78S	L	L77HDDG78S		
77HDDG78SC309	L	L77HDDG78SC309		
77HDDG78SOL2	L	L77HDDG78SOL2		
77HDDG78SOL2C309	L	L77HDDG78SOL2C309		
77HDDG78SOL2RM5	L	L77HDDG78SOL2RM5		
77HDDG78SOL2RM5C309	L	L77HDDG78SOL2RM5C309		
77HDDG78SOL2RM8	L	L77HDDG78SOL2RM8		
77HDDG78SOL2RM8C309	L	L77HDDG78SOL2RM8C309		
77HDDH78S	L	L77HDDH78S		
77HDDH78SC309	L	L77HDDH78SC309		
77HDDH78SOL2	L	L77HDDH78SOL2		
77HDDH78SOL2C309	L	L77HDDH78SOL2C309		
77HDDH78SOL2RM5	L	L77HDDH78SOL2RM5		
77HDDH78SOL2RM5C309	L	L77HDDH78SOL2RM5C309		
77HDDH78SOL2RM8	L	L77HDDH78SOL2RM8		
77HDDH78SOL2RM8C309	L	L77HDDH78SOL2RM8C309		
77HDE15S	L	L77HDE15S		
77HDE15SC309	L	L77HDE15SC309		
77HDE15SD1CH3F	L	L77HDE15SD1CH3F		
77HDE15SD1CH3FC309	L	L77HDE15SD1CH3FC309		
77HDE15SD1CH3R	L	L77HDE15SD1CH3R		
77HDE15SD1CH3RC309	L	L77HDE15SD1CH3RC309		
77HDE15SD1CH4F	L	L77HDE15SD1CH4F		
77HDE15SD1CH4FC309	L	L77HDE15SD1CH4FC309		
77HDE15SD1CH4R	L	L77HDE15SD1CH4R		
77HDE15SD1CH4RC309	L	L77HDE15SD1CH4RC309		
77HDE15SOL2	L	L77HDE15SOL2		
77HDE15SOL2C309	L	L77HDE15SOL2C309		
77HDE15SVF	L	L77HDE15SVF		
77HDE15SVFC309	L	L77HDE15SVFC309		
77HDE15SVFM	L	L77HDE15SVFM		
77HDE15SVFMC309	L	L77HDE15SVFMC309		

ASF "own" and original PN's not RoHs		Compliant RoHs PN's WITH or WHITHOUT " L " to be ordered with " L "		
		Compliant PN's since the 1st of July 2005 to be ordered with " L "		
		PN's not RoHs, to be ordered WITHOUT the " L " until new information		
Original Part Numbers		RoHs part numbers (all connectors are with tinned shells)	What has changed to be RoHs	To be changed to be RoHs
77HDEG15S	L	L77HDEG15S		
77HDEG15SC309	L	L77HDEG15SC309		
77HDEG15SOL2	L	L77HDEG15SOL2		
77HDEG15SOL2C309	L	L77HDEG15SOL2C309		
77HDEG15SOL2RM5	L	L77HDEG15SOL2RM5		
77HDEG15SOL2RM5C309	L	L77HDEG15SOL2RM5C309		
77HDEG15SOL2RM8	L	L77HDEG15SOL2RM8		
77HDEG15SOL2RM8C309	L	L77HDEG15SOL2RM8C309		
77HDEH15S	L	L77HDEH15S		
77HDEH15SC309	L	L77HDEH15SC309		
77HDEH15SOL2	L	L77HDEH15SOL2		
77HDEH15SOL2C309	L	L77HDEH15SOL2C309		
77HDEH15SOL2RM5	L	L77HDEH15SOL2RM5		
77HDEH15SOL2RM5C309	L	L77HDEH15SOL2RM5C309		
77HDEH15SOL2RM8	L	L77HDEH15SOL2RM8		
77HDEH15SOL2RM8C309	L	L77HDEH15SOL2RM8C309		
77SDA15S	L	L77SDA15S		
77SDA15S1ACH3F	L	L77SDA15S1ACH3F		
77SDA15S1ACH3FC309	L	L77SDA15S1ACH3FC309		
77SDA15S1ACH3R	L	L77SDA15S1ACH3R		
77SDA15S1ACH3RC309	L	L77SDA15S1ACH3RC309		
77SDA15S1ACH4F	L	L77SDA15S1ACH4F		
77SDA15S1ACH4FC309	L	L77SDA15S1ACH4FC309		
77SDA15S1ACH4R	L	L77SDA15S1ACH4R		
77SDA15S1ACH4RC309	L	L77SDA15S1ACH4RC309		
77SDA15SA4CH3F	L	L77SDA15SA4CH3F		
77SDA15SA4CH3FC309	L	L77SDA15SA4CH3FC309		
77SDA15SA4CH3R	L	L77SDA15SA4CH3R		
77SDA15SA4CH3RC309	L	L77SDA15SA4CH3RC309		
77SDA15SA4CH4F	L	L77SDA15SA4CH4F		
77SDA15SA4CH4FC309	L	L77SDA15SA4CH4FC309		
77SDA15SA4CH4R	L	L77SDA15SA4CH4R		
77SDA15SA4CH4RC309	L	L77SDA15SA4CH4RC309		

ASF "own" and original PN's not RoHs		Compliant RoHs PN's WITH or WHITHOUT " L " to be ordered with " L "		
		Compliant PN's since the 1st of July 2005 to be ordered with " L "		
		PN's not RoHs, to be ordered WITHOUT the " L " until new information		
Original Part Numbers		RoHs part numbers (all connectors are with tinned shells)	What has changed to be RoHs	To be changed to be RoHs
77SDA15SABCH3F	L	L77SDA15SABCH3F		
77SDA15SABCH3FC309	L	L77SDA15SABCH3FC309		
77SDA15SABCH3R	L	L77SDA15SABCH3R		
77SDA15SABCH3RC309	L	L77SDA15SABCH3RC309		
77SDA15SABCH4F	L	L77SDA15SABCH4F		
77SDA15SABCH4FC309	L	L77SDA15SABCH4FC309		
77SDA15SABCH4R	L	L77SDA15SABCH4R		
77SDA15SABCH4RC309	L	L77SDA15SABCH4RC309		
77SDA15SC309	L	L77SDA15SC309		
77SDA15SOL2	L	L77SDA15SOL2		
77SDA15SOL2C309	L	L77SDA15SOL2C309		
77SDA15SOL2G	L	L77SDA15SOL2G		
77SDA15SOL2GC309	L	L77SDA15SOL2GC309		
77SDA15SVF	L	L77SDA15SVF		
77SDA15SVFC309	L	L77SDA15SVFC309		
77SDA15SVFM	L	L77SDA15SVFM		
77SDA15SVFMC309	L	L77SDA15SVFMC309		
77SDAG15S	L	L77SDAG15S		
77SDAG15SC309	L	L77SDAG15SC309		
77SDAG15SOL2	L	L77SDAG15SOL2		
77SDAG15SOL2C309	L	L77SDAG15SOL2C309		
77SDAG15SOL2G	L	L77SDAG15SOL2G		
77SDAG15SOL2GC309	L	L77SDAG15SOL2GC309		
77SDAG15SOL2RM5	L	L77SDAG15SOL2RM5		
77SDAG15SOL2RM5C309	L	L77SDAG15SOL2RM5C309		
77SDAG15SOL2RM5G	L	L77SDAG15SOL2RM5G		
77SDAG15SOL2RM5GC309	L	L77SDAG15SOL2RM5GC309		
77SDAG15SOL2RM8	L	L77SDAG15SOL2RM8		
77SDAG15SOL2RM8C309	L	L77SDAG15SOL2RM8C309		
77SDAG15SOL2RM8G	L	L77SDAG15SOL2RM8G		
77SDAG15SOL2RM8GC309	L	L77SDAG15SOL2RM8GC309		
77SDAH15S	L	L77SDAH15S		
77SDAH15SC309	L	L77SDAH15SC309		

ASF "own" and original PN's not RoHs		Compliant RoHs PN's WITH or WHITHOUT " L " to be ordered with " L "		
		Compliant PN's since the 1st of July 2005 to be ordered with " L "		
		PN's not RoHs, to be ordered WITHOUT the " L " untill new information		
Original Part Numbers		RoHs part numbers (all connectors are with tinned shells)	What has changed to be RoHs	To be changed to be RoHs
77SDAH15SOL2	L	L77SDAH15SOL2		
77SDAH15SOL2C309	L	L77SDAH15SOL2C309		
77SDAH15SOL2G	L	L77SDAH15SOL2G		
77SDAH15SOL2GC309	L	L77SDAH15SOL2GC309		
77SDAH15SOL2RM5	L	L77SDAH15SOL2RM5		
77SDAH15SOL2RM5C309	L	L77SDAH15SOL2RM5C309		
77SDAH15SOL2RM5G	L	L77SDAH15SOL2RM5G		
77SDAH15SOL2RM5GC309	L	L77SDAH15SOL2RM5GC309		
77SDAH15SOL2RM8	L	L77SDAH15SOL2RM8		
77SDAH15SOL2RM8C309	L	L77SDAH15SOL2RM8C309		
77SDAH15SOL2RM8G	L	L77SDAH15SOL2RM8G		
77SDAH15SOL2RM8GC309	L	L77SDAH15SOL2RM8GC309		
77SDB25S	L	L77SDB25S		
77SDB25S1ACH3F	L	L77SDB25S1ACH3F		
77SDB25S1ACH3FC309	L	L77SDB25S1ACH3FC309		
77SDB25S1ACH3R	L	L77SDB25S1ACH3R		
77SDB25S1ACH3RC309	L	L77SDB25S1ACH3RC309		
77SDB25S1ACH4F	L	L77SDB25S1ACH4F		
77SDB25S1ACH4FC309	L	L77SDB25S1ACH4FC309		
77SDB25S1ACH4R	L	L77SDB25S1ACH4R		
77SDB25S1ACH4RC309	L	L77SDB25S1ACH4RC309		
77SDB25SA4CH3F	L	L77SDB25SA4CH3F		
77SDB25SA4CH3FC309	L	L77SDB25SA4CH3FC309		
77SDB25SA4CH3R	L	L77SDB25SA4CH3R		
77SDB25SA4CH3RC309	L	L77SDB25SA4CH3RC309		
77SDB25SA4CH4F	L	L77SDB25SA4CH4F		
77SDB25SA4CH4FC309	L	L77SDB25SA4CH4FC309		
77SDB25SA4CH4R	L	L77SDB25SA4CH4R		
77SDB25SA4CH4RC309	L	L77SDB25SA4CH4RC309		
77SDB25SABCH3F	L	L77SDB25SABCH3F		
77SDB25SABCH3FC309	L	L77SDB25SABCH3FC309		
77SDB25SABCH3R	L	L77SDB25SABCH3R		
77SDB25SABCH3RC309	L	L77SDB25SABCH3RC309		

ASF "own" and original PN's not RoHs		Compliant RoHs PN's WITH or WHITHOUT " L " to be ordered with " L "		
		Compliant PN's since the 1st of July 2005 to be ordered with " L "		
		PN's not RoHs, to be ordered WITHOUT the " L " until new information		
Original Part Numbers		RoHs part numbers (all connectors are with tinned shells)	What has changed to be RoHs	To be changed to be RoHs
77SDB25SABCH4F	L	L77SDB25SABCH4F		
77SDB25SABCH4FC309	L	L77SDB25SABCH4FC309		
77SDB25SABCH4R	L	L77SDB25SABCH4R		
77SDB25SABCH4RC309	L	L77SDB25SABCH4RC309		
77SDB25SC309	L	L77SDB25SC309		
77SDB25SOL2	L	L77SDB25SOL2		
77SDB25SOL2C309	L	L77SDB25SOL2C309		
77SDB25SOL2G	L	L77SDB25SOL2G		
77SDB25SOL2GC309	L	L77SDB25SOL2GC309		
77SDB25SVF	L	L77SDB25SVF		
77SDB25SVFC309	L	L77SDB25SVFC309		
77SDB25SVFM	L	L77SDB25SVFM		
77SDB25SVFMC309	L	L77SDB25SVFMC309		
77SDBG25S	L	L77SDBG25S		
77SDBG25SC309	L	L77SDBG25SC309		
77SDBG25SOL2	L	L77SDBG25SOL2		
77SDBG25SOL2C309	L	L77SDBG25SOL2C309		
77SDBG25SOL2G	L	L77SDBG25SOL2G		
77SDBG25SOL2GC309	L	L77SDBG25SOL2GC309		
77SDBG25SOL2RM5	L	L77SDBG25SOL2RM5		
77SDBG25SOL2RM5C309	L	L77SDBG25SOL2RM5C309		
77SDBG25SOL2RM5G	L	L77SDBG25SOL2RM5G		
77SDBG25SOL2RM5GC309	L	L77SDBG25SOL2RM5GC309		
77SDBG25SOL2RM8	L	L77SDBG25SOL2RM8		
77SDBG25SOL2RM8C309	L	L77SDBG25SOL2RM8C309		
77SDBG25SOL2RM8G	L	L77SDBG25SOL2RM8G		
77SDBG25SOL2RM8GC309	L	L77SDBG25SOL2RM8GC309		
77SDBH25S	L	L77SDBH25S		
77SDBH25SC309	L	L77SDBH25SC309		
77SDBH25SOL2	L	L77SDBH25SOL2		
77SDBH25SOL2C309	L	L77SDBH25SOL2C309		
77SDBH25SOL2G	L	L77SDBH25SOL2G		
77SDBH25SOL2GC309	L	L77SDBH25SOL2GC309		

ASF "own" and original PN's not RoHs		Compliant RoHs PN's WITH or WHITHOUT " L " to be ordered with " L "		
		Compliant PN's since the 1st of July 2005 to be ordered with " L "		
		PN's not RoHs, to be ordered WITHOUT the " L " untill new information		
Original Part Numbers		RoHs part numbers (all connectors are with tinned shells)	What has changed to be RoHs	To be changed to be RoHs
77SDBH25SOL2RM5	L	L77SDBH25SOL2RM5		
77SDBH25SOL2RM5C309	L	L77SDBH25SOL2RM5C309		
77SDBH25SOL2RM5G	L	L77SDBH25SOL2RM5G		
77SDBH25SOL2RM5GC309	L	L77SDBH25SOL2RM5GC309		
77SDBH25SOL2RM8	L	L77SDBH25SOL2RM8		
77SDBH25SOL2RM8C309	L	L77SDBH25SOL2RM8C309		
77SDBH25SOL2RM8G	L	L77SDBH25SOL2RM8G		
77SDBH25SOL2RM8GC309	L	L77SDBH25SOL2RM8GC309		
77SDC37S	L	L77SDC37S		
77SDC37S1ACH3F	L	L77SDC37S1ACH3F		
77SDC37S1ACH3FC309	L	L77SDC37S1ACH3FC309		
77SDC37S1ACH3R	L	L77SDC37S1ACH3R		
77SDC37S1ACH3RC309	L	L77SDC37S1ACH3RC309		
77SDC37S1ACH4F	L	L77SDC37S1ACH4F		
77SDC37S1ACH4FC309	L	L77SDC37S1ACH4FC309		
77SDC37S1ACH4R	L	L77SDC37S1ACH4R		
77SDC37S1ACH4RC309	L	L77SDC37S1ACH4RC309		
77SDC37SA4CH3F	L	L77SDC37SA4CH3F		
77SDC37SA4CH3FC309	L	L77SDC37SA4CH3FC309		
77SDC37SA4CH3R	L	L77SDC37SA4CH3R		
77SDC37SA4CH3RC309	L	L77SDC37SA4CH3RC309		
77SDC37SA4CH4F	L	L77SDC37SA4CH4F		
77SDC37SA4CH4FC309	L	L77SDC37SA4CH4FC309		
77SDC37SA4CH4R	L	L77SDC37SA4CH4R		
77SDC37SA4CH4RC309	L	L77SDC37SA4CH4RC309		
77SDC37SABCH3F	L	L77SDC37SABCH3F		
77SDC37SABCH3FC309	L	L77SDC37SABCH3FC309		
77SDC37SABCH3R	L	L77SDC37SABCH3R		
77SDC37SABCH3RC309	L	L77SDC37SABCH3RC309		
77SDC37SABCH4F	L	L77SDC37SABCH4F		
77SDC37SABCH4FC309	L	L77SDC37SABCH4FC309		
77SDC37SABCH4R	L	L77SDC37SABCH4R		
77SDC37SABCH4RC309	L	L77SDC37SABCH4RC309		

ASF "own" and original PN's not RoHs		Compliant RoHs PN's WITH or WHITHOUT " L " to be ordered with " L "		
		Compliant PN's since the 1st of July 2005 to be ordered with " L "		
		PN's not RoHs, to be ordered WITHOUT the " L " until new information		
Original Part Numbers		RoHs part numbers (all connectors are with tinned shells)	What has changed to be RoHs	To be changed to be RoHs
77SDC37SC309	L	L77SDC37SC309		
77SDC37SOL2	L	L77SDC37SOL2		
77SDC37SOL2C309	L	L77SDC37SOL2C309		
77SDC37SOL2G	L	L77SDC37SOL2G		
77SDC37SOL2GC309	L	L77SDC37SOL2GC309		
77SDC37SOL2VF	L	L77SDC37SOL2VF		
77SDC37SVF	L	L77SDC37SVF		
77SDC37SVFC309	L	L77SDC37SVFC309		
77SDC37SVFM	L	L77SDC37SVFM		
77SDC37SVFMC309	L	L77SDC37SVFMC309		
77SDCG37S	L	L77SDCG37S		
77SDCG37SC309	L	L77SDCG37SC309		
77SDCG37SOL2	L	L77SDCG37SOL2		
77SDCG37SOL2C309	L	L77SDCG37SOL2C309		
77SDCG37SOL2G	L	L77SDCG37SOL2G		
77SDCG37SOL2GC309	L	L77SDCG37SOL2GC309		
77SDCG37SOL2RM5	L	L77SDCG37SOL2RM5		
77SDCG37SOL2RM5C309	L	L77SDCG37SOL2RM5C309		
77SDCG37SOL2RM5G	L	L77SDCG37SOL2RM5G		
77SDCG37SOL2RM5GC309	L	L77SDCG37SOL2RM5GC309		
77SDCG37SOL2RM8	L	L77SDCG37SOL2RM8		
77SDCG37SOL2RM8C309	L	L77SDCG37SOL2RM8C309		
77SDCG37SOL2RM8G	L	L77SDCG37SOL2RM8G		
77SDCG37SOL2RM8GC309	L	L77SDCG37SOL2RM8GC309		
77SDCH37S	L	L77SDCH37S		
77SDCH37SC309	L	L77SDCH37SC309		
77SDCH37SOL2	L	L77SDCH37SOL2		
77SDCH37SOL2C309	L	L77SDCH37SOL2C309		
77SDCH37SOL2G	L	L77SDCH37SOL2G		
77SDCH37SOL2GC309	L	L77SDCH37SOL2GC309		
77SDCH37SOL2RM5	L	L77SDCH37SOL2RM5		
77SDCH37SOL2RM5C309	L	L77SDCH37SOL2RM5C309		
77SDCH37SOL2RM5G	L	L77SDCH37SOL2RM5G		

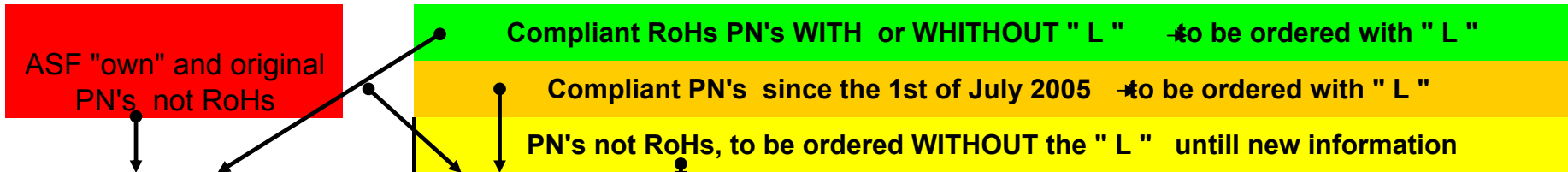
ASF "own" and original PN's not RoHs		Compliant RoHs PN's WITH or WHITHOUT " L " to be ordered with " L "		
		Compliant PN's since the 1st of July 2005 to be ordered with " L "		
		PN's not RoHs, to be ordered WITHOUT the " L " until new information		
Original Part Numbers		RoHs part numbers (all connectors are with tinned shells)	What has changed to be RoHs	To be changed to be RoHs
77SDCH37SOL2RM5GC309	L	L77SDCH37SOL2RM5GC309		
77SDCH37SOL2RM8	L	L77SDCH37SOL2RM8		
77SDCH37SOL2RM8C309	L	L77SDCH37SOL2RM8C309		
77SDCH37SOL2RM8G	L	L77SDCH37SOL2RM8G		
77SDCH37SOL2RM8GC309	L	L77SDCH37SOL2RM8GC309		
77SDD50S	L	L77SDD50S		
77SDD50SC309	L	L77SDD50SC309		
77SDD50SOL2	L	L77SDD50SOL2		
77SDD50SOL2C309	L	L77SDD50SOL2C309		
77SDD50SOL2G	L	L77SDD50SOL2G		
77SDD50SOL2GC309	L	L77SDD50SOL2GC309		
77SDD50SVF	L	L77SDD50SVF		
77SDD50SVFC309	L	L77SDD50SVFC309		
77SDD50SVFM	L	L77SDD50SVFM		
77SDD50SVFMC309	L	L77SDD50SVFMC309		
77SDDG50S	L	L77SDDG50S		
77SDDG50SC309	L	L77SDDG50SC309		
77SDDG50SOL2	L	L77SDDG50SOL2		
77SDDG50SOL2C309	L	L77SDDG50SOL2C309		
77SDDG50SOL2G	L	L77SDDG50SOL2G		
77SDDG50SOL2GC309	L	L77SDDG50SOL2GC309		
77SDDG50SOL2RM5	L	L77SDDG50SOL2RM5		
77SDDG50SOL2RM5C309	L	L77SDDG50SOL2RM5C309		
77SDDG50SOL2RM5G	L	L77SDDG50SOL2RM5G		
77SDDG50SOL2RM5GC309	L	L77SDDG50SOL2RM5GC309		
77SDDG50SOL2RM8	L	L77SDDG50SOL2RM8		
77SDDG50SOL2RM8C309	L	L77SDDG50SOL2RM8C309		
77SDDG50SOL2RM8G	L	L77SDDG50SOL2RM8G		
77SDDG50SOL2RM8GC309	L	L77SDDG50SOL2RM8GC309		
77SDDH50S	L	L77SDDH50S		
77SDDH50SC309	L	L77SDDH50SC309		
77SDDH50SOL2	L	L77SDDH50SOL2		
77SDDH50SOL2C309	L	L77SDDH50SOL2C309		

ASF "own" and original PN's not RoHs		Compliant RoHs PN's WITH or WHITHOUT " L " to be ordered with " L "		
		Compliant PN's since the 1st of July 2005 to be ordered with " L "		
		PN's not RoHs, to be ordered WITHOUT the " L " until new information		
Original Part Numbers		RoHs part numbers (all connectors are with tinned shells)	What has changed to be RoHs	To be changed to be RoHs
77SDDH50SOL2G	L	L77SDDH50SOL2G		
77SDDH50SOL2GC309	L	L77SDDH50SOL2GC309		
77SDDH50SOL2RM5	L	L77SDDH50SOL2RM5		
77SDDH50SOL2RM5C309	L	L77SDDH50SOL2RM5C309		
77SDDH50SOL2RM5G	L	L77SDDH50SOL2RM5G		
77SDDH50SOL2RM5GC309	L	L77SDDH50SOL2RM5GC309		
77SDDH50SOL2RM8	L	L77SDDH50SOL2RM8		
77SDDH50SOL2RM8C309	L	L77SDDH50SOL2RM8C309		
77SDDH50SOL2RM8G	L	L77SDDH50SOL2RM8G		
77SDDH50SOL2RM8GC309	L	L77SDDH50SOL2RM8GC309		
77SDE09S	L	L77SDE09S		
77SDE09S1ACH3F	L	L77SDE09S1ACH3F		
77SDE09S1ACH3FC309	L	L77SDE09S1ACH3FC309		
77SDE09S1ACH3R	L	L77SDE09S1ACH3R		
77SDE09S1ACH3RC309	L	L77SDE09S1ACH3RC309		
77SDE09S1ACH4F	L	L77SDE09S1ACH4F		
77SDE09S1ACH4FC309	L	L77SDE09S1ACH4FC309		
77SDE09S1ACH4R	L	L77SDE09S1ACH4R		
77SDE09S1ACH4RC309	L	L77SDE09S1ACH4RC309		
77SDE09SA4CH3F	L	L77SDE09SA4CH3F		
77SDE09SA4CH3FC309	L	L77SDE09SA4CH3FC309		
77SDE09SA4CH3R	L	L77SDE09SA4CH3R		
77SDE09SA4CH3RC309	L	L77SDE09SA4CH3RC309		
77SDE09SA4CH4F	L	L77SDE09SA4CH4F		
77SDE09SA4CH4FC309	L	L77SDE09SA4CH4FC309		
77SDE09SA4CH4R	L	L77SDE09SA4CH4R		
77SDE09SA4CH4RC309	L	L77SDE09SA4CH4RC309		
77SDE09SABCH3F	L	L77SDE09SABCH3F		
77SDE09SABCH3FC309	L	L77SDE09SABCH3FC309		
77SDE09SABCH3R	L	L77SDE09SABCH3R		
77SDE09SABCH3RC309	L	L77SDE09SABCH3RC309		
77SDE09SABCH4F	L	L77SDE09SABCH4F		
77SDE09SABCH4FC309	L	L77SDE09SABCH4FC309		

ASF "own" and original PN's not RoHs		Compliant RoHs PN's WITH or WHITHOUT " L " to be ordered with " L "		
		Compliant PN's since the 1st of July 2005 to be ordered with " L "		
		PN's not RoHs, to be ordered WITHOUT the " L " until new information		
Original Part Numbers		RoHs part numbers (all connectors are with tinned shells)	What has changed to be RoHs	To be changed to be RoHs
77SDE09SABCH4R	L	L77SDE09SABCH4R		
77SDE09SABCH4RC309	L	L77SDE09SABCH4RC309		
77SDE09SC309	L	L77SDE09SC309		
77SDE09SOL2	L	L77SDE09SOL2		
77SDE09SOL2C309	L	L77SDE09SOL2C309		
77SDE09SOL2G	L	L77SDE09SOL2G		
77SDE09SOL2GC309	L	L77SDE09SOL2GC309		
77SDE09SVF	L	L77SDE09SVF		
77SDE09SVFC309	L	L77SDE09SVFC309		
77SDE09SVFM	L	L77SDE09SVFM		
77SDE09SVFMC309	L	L77SDE09SVFMC309		
77SDEG09S	L	L77SDEG09S		
77SDEG09SC309	L	L77SDEG09SC309		
77SDEG09SOL2	L	L77SDEG09SOL2		
77SDEG09SOL2C309	L	L77SDEG09SOL2C309		
77SDEG09SOL2G	L	L77SDEG09SOL2G		
77SDEG09SOL2GC309	L	L77SDEG09SOL2GC309		
77SDEG09SOL2RM5	L	L77SDEG09SOL2RM5		
77SDEG09SOL2RM5C309	L	L77SDEG09SOL2RM5C309		
77SDEG09SOL2RM5G	L	L77SDEG09SOL2RM5G		
77SDEG09SOL2RM5GC309	L	L77SDEG09SOL2RM5GC309		
77SDEG09SOL2RM8	L	L77SDEG09SOL2RM8		
77SDEG09SOL2RM8C309	L	L77SDEG09SOL2RM8C309		
77SDEG09SOL2RM8G	L	L77SDEG09SOL2RM8G		
77SDEG09SOL2RM8GC309	L	L77SDEG09SOL2RM8GC309		
77SDEH09S	L	L77SDEH09S		
77SDEH09SC309	L	L77SDEH09SC309		
77SDEH09SOL2	L	L77SDEH09SOL2		
77SDEH09SOL2C309	L	L77SDEH09SOL2C309		
77SDEH09SOL2G	L	L77SDEH09SOL2G		
77SDEH09SOL2GC309	L	L77SDEH09SOL2GC309		
77SDEH09SOL2RM5	L	L77SDEH09SOL2RM5		
77SDEH09SOL2RM5C309	L	L77SDEH09SOL2RM5C309		

ASF "own" and original PN's not RoHs		Compliant RoHs PN's WITH or WHITHOUT " L " to be ordered with " L "		
		Compliant PN's since the 1st of July 2005 to be ordered with " L "		
		PN's not RoHs, to be ordered WITHOUT the " L " untill new information		
Original Part Numbers		RoHs part numbers (all connectors are with tinned shells)	What has changed to be RoHs	To be changed to be RoHs
77SDEH09SOL2RM5G	L	L77SDEH09SOL2RM5G		
77SDEH09SOL2RM5GC309	L	L77SDEH09SOL2RM5GC309		
77SDEH09SOL2RM8	L	L77SDEH09SOL2RM8		
77SDEH09SOL2RM8C309	L	L77SDEH09SOL2RM8C309		
77SDEH09SOL2RM8G	L	L77SDEH09SOL2RM8G		
77SDEH09SOL2RM8GC309	L	L77SDEH09SOL2RM8GC309		
77TSAG15SOL2	L	L77TSAG15SOL2		
77TSAG15SOL2C309	L	L77TSAG15SOL2C309		
77TSAG15SOL2RM5	L	L77TSAG15SOL2RM5		
77TSAG15SOL2RM5C309	L	L77TSAG15SOL2RM5C309		
77TSAG15SOL2RM8	L	L77TSAG15SOL2RM8		
77TSAG15SOL2RM8C309	L	L77TSAG15SOL2RM8C309		
77TSAH15SOL2	L	L77TSAH15SOL2		
77TSAH15SOL2C309	L	L77TSAH15SOL2C309		
77TSAH15SOL2RM5	L	L77TSAH15SOL2RM5		
77TSAH15SOL2RM5C309	L	L77TSAH15SOL2RM5C309		
77TSAH15SOL2RM8	L	L77TSAH15SOL2RM8		
77TSAH15SOL2RM8	L	L77TSAH15SOL2RM8		
77TSAH15SOL2RM8C309	L	L77TSAH15SOL2RM8C309		
77TSBG25SOL2	L	L77TSBG25SOL2		
77TSBG25SOL2C309	L	L77TSBG25SOL2C309		
77TSBG25SOL2RM5	L	L77TSBG25SOL2RM5		
77TSBG25SOL2RM5C309	L	L77TSBG25SOL2RM5C309		
77TSBG25SOL2RM8	L	L77TSBG25SOL2RM8		
77TSBG25SOL2RM8C309	L	L77TSBG25SOL2RM8C309		
77TSBH25SOL2	L	L77TSBH25SOL2		
77TSBH25SOL2C309	L	L77TSBH25SOL2C309		
77TSBH25SOL2RM5	L	L77TSBH25SOL2RM5		
77TSBH25SOL2RM5C309	L	L77TSBH25SOL2RM5C309		
77TSBH25SOL2RM8	L	L77TSBH25SOL2RM8		
77TSBH25SOL2RM8	L	L77TSBH25SOL2RM8		
77TSBH25SOL2RM8C309	L	L77TSBH25SOL2RM8C309		
77TSCG37SOL2	L	L77TSCG37SOL2		

ASF "own" and original PN's not RoHs		Compliant RoHs PN's WITH or WHITHOUT " L " to be ordered with " L "		
		Compliant PN's since the 1st of July 2005 to be ordered with " L "		
		PN's not RoHs, to be ordered WITHOUT the " L " untill new information		
Original Part Numbers		RoHs part numbers (all connectors are with tinned shells)	What has changed to be RoHs	To be changed to be RoHs
77TWC17W5SP2SYRM84	L	L77TWC17W5SP2SYRM84		Cts Tails :from tin-lead to tin or gold
77TWC17W5SSYRM54	L	L77TWC17W5SSYRM54		Cts Tails :from tin-lead to tin or gold
77TWC21WA4S	L	L77TWC21WA4S		Cts Tails :from tin-lead to tin or gold
77TWC21WA4SEP2SV4RRM6	L	L77TWC21WA4SEP2SV4RRM6		Cts Tails :from tin-lead to tin or gold
77TWC21WA4SEP3SV	L	L77TWC21WA4SEP3SV		Cts Tails :from tin-lead to tin or gold
77TWC21WA4SMCSV4FRM6	L	L77TWC21WA4SMCSV4FRM6		Cts Tails :from tin-lead to tin or gold
77TWC21WA4SMP3SV4RRM6	L	L77TWC21WA4SMP3SV4RRM6		Cts Tails :from tin-lead to tin or gold
77TWC25W3S	L	L77TWC25W3S		Cts Tails :from tin-lead to tin or gold
77TWC25W3S4F	L	L77TWC25W3S4F		Cts Tails :from tin-lead to tin or gold
77TWC25W3SEP2SV4RRM6	L	L77TWC25W3SEP2SV4RRM6		Cts Tails :from tin-lead to tin or gold
77TWC25W3SMSV4R	L	L77TWC25W3SMSV4R		Cts Tails :from tin-lead to tin or gold
77TWC25W3SSY	L	L77TWC25W3SSY		Cts Tails :from tin-lead to tin or gold
77TWC27W2S	L	L77TWC27W2S		Cts Tails :from tin-lead to tin or gold
77TWC27W2SCSYRM84	L	L77TWC27W2SCSYRM84		Cts Tails :from tin-lead to tin or gold
77TWC27W2SP3SYRM54	L	L77TWC27W2SP3SYRM54		Cts Tails :from tin-lead to tin or gold
77TWC27W2SSYFM	L	L77TWC27W2SSYFM		Cts Tails :from tin-lead to tin or gold
77TWC8W8S	L	L77TWC8W8S		
77TWC8W8SEP3V	L	L77TWC8W8SEP3V		
77TWC8W8SFM	L	L77TWC8W8SFM		
77TWC8W8SHCV3RRM6	L	L77TWC8W8SHCV3RRM6		
77TWC8W8SMCV4FRM6	L	L77TWC8W8SMCV4FRM6		
77TWC8W8SMCV4RRM6	L	L77TWC8W8SMCV4RRM6		
77TWC8W8SMCVRM6	L	L77TWC8W8SMCVRM6		
77TWC8W8SP3YRM84	L	L77TWC8W8SP3YRM84		
77TWC8W8SRM84	L	L77TWC8W8SRM84		
77TWCF13W6S	L	L77TWCF13W6S		Cts Tails :from tin-lead to tin or gold
77TWCF8W8S	L	L77TWCF8W8S		Cts Tails :from tin-lead to tin or gold
77TWD24W7S	L	L77TWD24W7S		Cts Tails :from tin-lead to tin or gold
77TWD24W7SP3SYRM84	L	L77TWD24W7SP3SYRM84		Cts Tails :from tin-lead to tin or gold
77TWD36W4S	L	L77TWD36W4S		Cts Tails :from tin-lead to tin or gold
77TWE5W1S	L	L77TWE5W1S		Cts Tails :from tin-lead to tin or gold
77TWE5W1S4R	L	L77TWE5W1S4R		Cts Tails :from tin-lead to tin or gold
77TWE5W1SEP2SV4FRM6	L	L77TWE5W1SEP2SV4FRM6		Cts Tails :from tin-lead to tin or gold



Original Part Numbers		RoHs part numbers (all connectors are with tinned shells)	What has changed to be RoHs	To be changed to be RoHs
77TWE5W1SESV4F	L	L77TWE5W1SESV4F		Cts Tails :from tin-lead to tin or gold
77TWE5W1SHCSV4FRM6	L	L77TWE5W1SHCSV4FRM6		Cts Tails :from tin-lead to tin or gold
77TWE5W1SMCSV4R	L	L77TWE5W1SMCSV4R		Cts Tails :from tin-lead to tin or gold
77TWE5W1SMCSV4RRM6	L	L77TWE5W1SMCSV4RRM6		Cts Tails :from tin-lead to tin or gold
77TWE5W1SMP2SV4FRM6	L	L77TWE5W1SMP2SV4FRM6		Cts Tails :from tin-lead to tin or gold
77TWP3W3S	L	L77TWP3W3S		
17D09C	L	L17D09C		
17D15C	L	L17D15C		
17D25C	L	L17D25C		
117DBFRA25P	L	L117DBFRA25P		
117DBFRA25S	L	L117DBFRA25S		
117DBFRAA25P	L	L117DBFRAA25P		
117DBFRAA25S	L	L117DBFRAA25S		
117DBFRAB25P	L	L117DBFRAB25P		
117DBFRAB25S	L	L117DBFRAB25S		
117DBFRB25P	L	L117DBFRB25P		
117DBFRB25S	L	L117DBFRB25S		
117DBFRBA25P	L	L117DBFRBA25P		
117DBFRBA25S	L	L117DBFRBA25S		
117DBFRBB25P	L	L117DBFRBB25P		
117DBFRBB25S	L	L117DBFRBB25S		
117DBFRCA25P	L	L117DBFRCA25P		
117DBFRCA25S	L	L117DBFRCA25S		
117DBFRCB25P	L	L117DBFRCB25P		
117DBFRCB25S	L	L117DBFRCB25S		
117DBFRDA25P	L	L117DBFRDA25P		
117DBFRDA25S	L	L117DBFRDA25S		
117DBFRDB25P	L	L117DBFRDB25P		
117DBFRDB25S	L	L117DBFRDB25S		
117DCFRA37P	L	L117DCFRA37P		
117DCFRA37S	L	L117DCFRA37S		
117DCFRAA37P	L	L117DCFRAA37P		
117DCFRAA37S	L	L117DCFRAA37S		
117DCFRAB37P	L	L117DCFRAB37P		

ASF "own" and original PN's not RoHs		Compliant RoHs PN's WITH or WHITHOUT " L " →to be ordered with " L "		
		Compliant PN's since the 1st of July 2005 →to be ordered with " L "		
		PN's not RoHs, to be ordered WITHOUT the " L " untill new information		
Original Part Numbers		RoHs part numbers (all connectors are with tinned shells)	What has changed to be RoHs	To be changed to be RoHs
117DCFRAB37S	L	L117DCFRAB37S		
117DCFRB37P	L	L117DCFRB37P		
117DCFRB37S	L	L117DCFRB37S		
117DCFRBA37P	L	L117DCFRBA37P		
117DCFRBA37S	L	L117DCFRBA37S		
117DCFRBB37P	L	L117DCFRBB37P		
117DCFRBB37S	L	L117DCFRBB37S		
117DCFRCA37P	L	L117DCFRCA37P		
117DCFRCA37S	L	L117DCFRCA37S		
117DCFRCB37P	L	L117DCFRCB37P		
117DCFRCB37S	L	L117DCFRCB37S		
117DCFRDA37P	L	L117DCFRDA37P		
117DCFRDA37S	L	L117DCFRDA37S		
117DCFRDB37P	L	L117DCFRDB37P		
117DCFRDB37S	L	L117DCFRDB37S		
17D204182(M24308/26-1)	L	L17D204182T(M24308/26-1)		
17D204182LEX(10PCES)	L	L17D204182LEX(10PCES)		
17D204182LM3	L	L17D204182LM3E		
17D204182LM3E	L	L17D204182LM3E		
17D204182LM3EM(1000PCES)	L	L17D204182LM3EM(1000PCES)		
17D204182LM3EX(10PCES)	L	L17D204182LM3EX(10PCES)		
17D204182LM3X(10PCES)	L	L17D204182LM3EX(10PCES)		
17D204182LX(10PCES)	L	L17D204182LEX(10PCES)		
17D204182M(/1000)	L	L17D204182TM(/1000)		
17D204182M3EC(100PCES)	L	L17D204182M3EC(100PCES)		
17D204182M3EX(10PCES)	L	L17D204182M3EX(10PCES)		
17D204182M3X(10PCES)	L	L17D204182M3EX(10PCES)		
17D204182SM3EX(10PCES)	L	L17D204182SM3EX(10PCES)		
17D204182SM3X(10PCES)	L	L17D204182SM3EX(10PCES)		
17D204182TM(1000PCES)	L	L17D204182TM(1000PCES)		
17D204182TX(10PCES)	L	L17D204182TX(10PCES)		
17D204182X(10PCE)	L	L17D204182TX(10PCE)		
17D204182X(10PCE)M24308/261	L	L17D204182TX(10PCE)M24308/261		
17D2041833X(10PCES)	L	L17D2041843X(10PCES)		

ASF "own" and original PN's not RoHs		Compliant RoHs PN's WITH or WHITHOUT " L " →to be ordered with " L "		
		Compliant PN's since the 1st of July 2005 →to be ordered with " L "		
		PN's not RoHs, to be ordered WITHOUT the " L " untill new information		
Original Part Numbers		RoHs part numbers (all connectors are with tinned shells)	What has changed to be RoHs	To be changed to be RoHs
17D2041839X(10PCES)	L	L17D2041849X(10PCES)		
17D2041843X(10PCES)	L	L17D2041843X(10PCES)		
17D2041849X(10PCES)	L	L17D2041849X(10PCES)		
17D20418M3EX(10PCES)	L	L17D20418M3EX(10PCES)		
17D20418M3X(10PCES)	L	L17D20418M3EX(10PCES)		