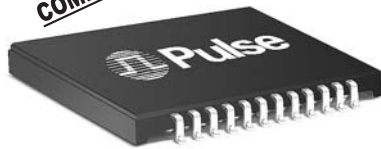


# 1000BASE-T LOW PROFILE MAGNETICS MODULE

Designed to Support 1:1  
Turns Ratio Transceivers



- RoHS-5 peak reflow temperature rating 235°C
- RoHS-6 peak reflow temperature rating 245°C
- Low profile package for mobile computer applications
- Compliant with IEEE 802.3ab standard

## Electrical Specifications @ 25°C — Operating Temperature 0°C to 70°C

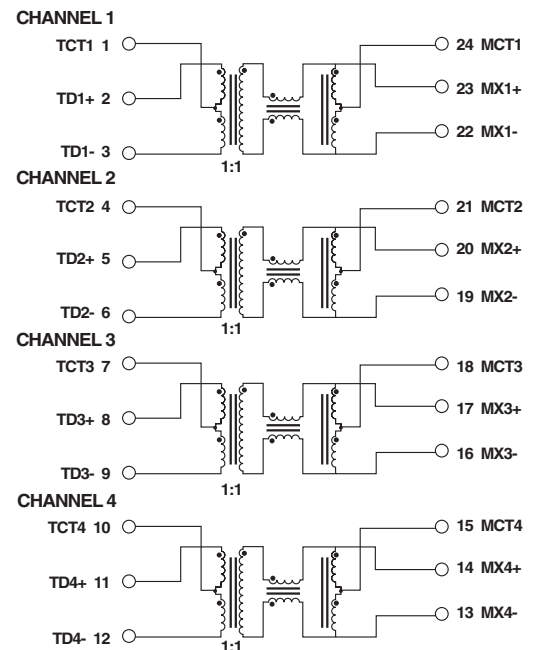
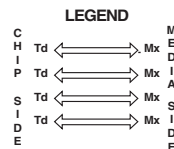
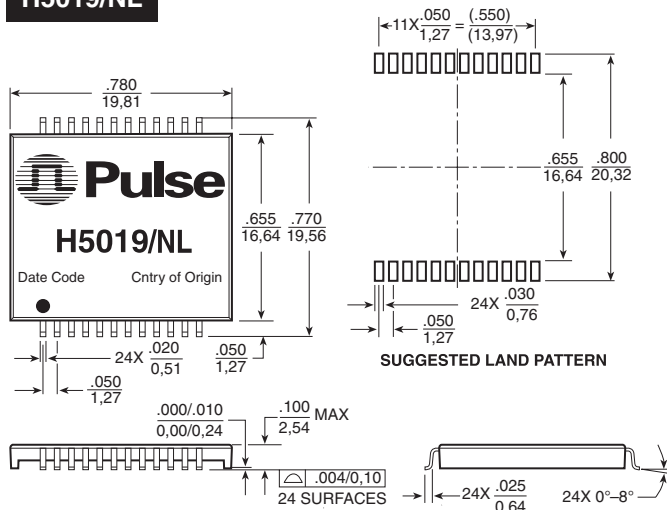
RoHS-5 <sup>2</sup> Compliant Part Number	RoHS-6 <sup>3</sup> Compliant Part Number	Insertion Loss (dB MAX)	Return Loss (dB MIN @ 100 Ω)		Differential to Common Mode Rejection (dB MIN)	Crosstalk (dB MIN)	Hipot (Vrms MIN)
			1-100 MHz	1-40 MHz			
H5019	H5019NL	-1.0	-18	-12 +20*LOG10 (f/80)	-43 +22*LOG10 (f/30)	-55 +24*LOG10 (f/10)	1500

- For Tape & Reel packaging**, add a "T" suffix at the end of the part number, e.g. H5019T.
- RoHS-5:** Product does not contain 5 out of the 6 banned substances specified in the RoHS directive (product contains lead in applications considered solder).
- RoHS-6:** Product does not contain 5 out of the 6 banned substances specified in the RoHS directive. Some internal connections may contain lead in high-temperature solder (solder alloys containing more than 85% lead).

## Mechanical

## Schematic

### H5019/NL



## For More Information:

Pulse Worldwide Headquarters	Pulse European Headquarters	Pulse China Headquarters	Pulse North China	Pulse South Asia	Pulse North Asia
12220 World Trade Dr. San Diego, CA 92128 U.S.A. www.pulseeng.com TEL: 858 674 8100 FAX: 858 674 8262	Einsteinstrasse 1 71083 Herrenberg Germany TEL: 49 7032 7806 0 FAX: 49 7032 7806 12	No. 1 Industrial District Changan, Dongguan China TEL: 86 769 85538070 FAX: 86 769 85538870	Room 1503 XinYin Building No. 888 YiShan Rd. Shanghai 200233 China TEL: 86 21 54643211/2 FAX: 86 21 54643210	150 Kampong Ampat #07-01/02 KA Centre Singapore 368324 TEL: 65 6287 8998 FAX: 65 6280 0080	No. 26 Kao Ching Rd. Yang Mei Chen Taoyuan Hsien Taiwan, R. O. C. TEL: 886 3 4641811 FAX: 886 3 4641911

Performance warranty of products offered on this data sheet is limited to the parameters specified. Data is subject to change without notice. Other brand and product names mentioned herein may be trademarks or registered trademarks of their respective owners.

© Copyright, 2006. Pulse Engineering, Inc. All rights reserved.