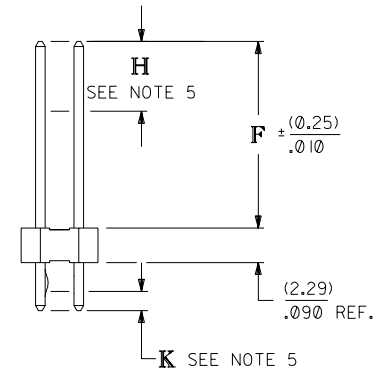
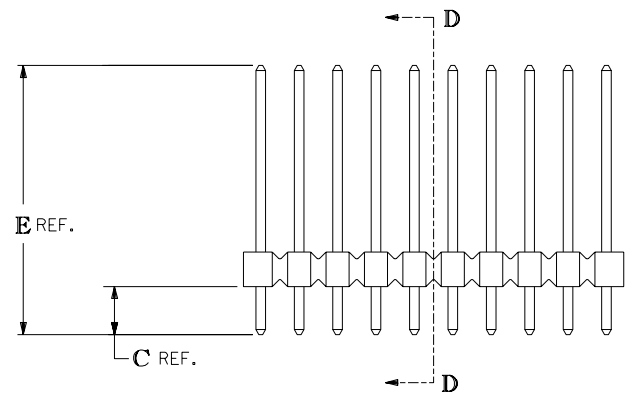


SECTION D-D - RETENTION PIN DETAIL
2 CONTACTS LOCATED ON CENTER OF SAME ROW (SEE NOTE 6)

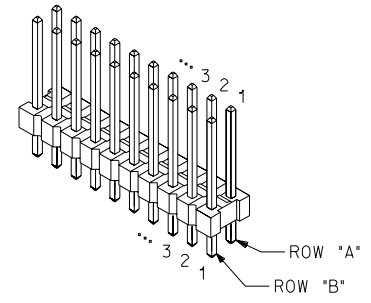


| NO. OF CKTS. | DIM. A REF. | | DIM. B REF. | |
|--------------|-------------|-------|-------------|-------|
| | MM | IN. | MM | IN. |
| 4 | 2.54 | .100 | 4.83 | .190 |
| 6 | 5.08 | .200 | 7.37 | .290 |
| 8 | 7.62 | .300 | 9.91 | .390 |
| 10 | 10.16 | .400 | 12.45 | .490 |
| 12 | 12.70 | .500 | 14.99 | .590 |
| 14 | 15.24 | .600 | 17.53 | .690 |
| 16 | 17.78 | .700 | 20.07 | .790 |
| 18 | 20.32 | .800 | 22.61 | .890 |
| 20 | 22.86 | .900 | 25.15 | .990 |
| 22 | 25.40 | 1.000 | 27.69 | 1.090 |
| 24 | 27.94 | 1.100 | 30.23 | 1.190 |
| 26 | 30.48 | 1.200 | 32.77 | 1.290 |
| 28 | 33.02 | 1.300 | 35.31 | 1.390 |
| 30 | 35.56 | 1.400 | 37.85 | 1.490 |
| 32 | 38.10 | 1.500 | 40.39 | 1.590 |
| 34 | 40.64 | 1.600 | 42.93 | 1.690 |
| 36 | 43.18 | 1.700 | 45.47 | 1.790 |
| 38 | 45.72 | 1.800 | 48.01 | 1.890 |
| 40 | 48.26 | 1.900 | 50.55 | 1.990 |
| 42 | 50.80 | 2.000 | 53.09 | 2.090 |
| 44 | 53.34 | 2.100 | 55.63 | 2.190 |
| 46 | 55.88 | 2.200 | 58.17 | 2.290 |
| 48 | 58.42 | 2.300 | 60.71 | 2.390 |
| 50 | 60.96 | 2.400 | 63.25 | 2.490 |
| 52 | 63.50 | 2.500 | 65.79 | 2.590 |
| 54 | 66.04 | 2.600 | 68.33 | 2.690 |
| 56 | 68.58 | 2.700 | 70.87 | 2.790 |
| 58 | 71.12 | 2.800 | 73.41 | 2.890 |
| 60 | 73.66 | 2.900 | 75.95 | 2.990 |
| 62 | 76.20 | 3.000 | 78.49 | 3.090 |
| 64 | 78.74 | 3.100 | 81.03 | 3.190 |
| 66 | 81.28 | 3.200 | 83.57 | 3.290 |
| 68 | 83.82 | 3.300 | 86.11 | 3.390 |
| 70 | 86.36 | 3.400 | 88.65 | 3.490 |
| 72 | 88.90 | 3.500 | 91.19 | 3.590 |
| 74 | 91.44 | 3.600 | 93.73 | 3.690 |
| 76 | 93.98 | 3.700 | 96.27 | 3.790 |
| 78 | 96.52 | 3.800 | 98.81 | 3.890 |
| 80 | 99.06 | 3.900 | 101.35 | 3.990 |

NOTES:

- PIN PUSHOUT FORCE: 4 LBS. MIN. (IN EITHER DIRECTION)
- FOR ILLUSTRATION PURPOSES, 20 (DUAL 10) CIRCUIT SIZE IS SHOWN.
- PINS MUST MEET SOLDERABILITY SPEC. ES-152, EXCEPT VOIDS ARE PERMISSIBLE AT BANDOLIER PIN FAYING SURFACE. (APPROX. .025 LNG X .006 WD. REF.) - 2 LOCATIONS
- WAFER TO BE FLAT WITHIN (0.03 MM/CM)/.003 IN./IN.
- MEASURE POINT FOR PLATING THICKNESS.
- RETENTIVE TAIL LOCATIONS (SEE VIEW "A")

| NUMBER OF CIRCUITS IN ROW B | RETENTIVE TAIL LOCATIONS |
|-----------------------------|--|
| EVEN NUMBER | 2 PINS IN THE MIDDLE OF ROW B |
| ODD NUMBER | PIN IN THE CENTER OF ROW B AND ONE OTHER PIN IN ROW B ON EITHER SIDE OF THE CENTER PIN |

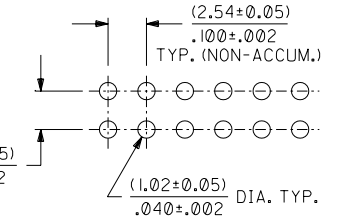


VIEW "A"

PLATING:

- TIN .000150 MINIMUM TIN OVER
.000050 MINIMUM NICKEL PLATE.
- 15 GOLD .000015 MINIMUM GOLD PLATE IN SELECTED AREA,
.000075 MINIMUM TIN IN SELECTED AREA,
OVER .000050 MINIMUM NICKEL OVER-ALL.
- 30 GOLD .000030 MINIMUM GOLD PLATE IN SELECTED AREA,
.000075 MINIMUM TIN IN SELECTED AREA,
OVER .000050 MINIMUM NICKEL OVER-ALL.
- 15G/150T .000015 MINIMUM GOLD PLATE IN SELECTED AREA,
.000150 MINIMUM TIN IN SELECTED AREA,
OVER .000050 MINIMUM NICKEL OVER-ALL.

*THE PRIMARY SHIPPING CARTON WILL BE LABELED "COMPLIANT TO RoHS DIRECTIVE 2002/95/EC AND ELV ANNEX II OF DIRECTIVE 2000/53/EC". CARTONS WITHOUT THIS LABEL MAY CONTAIN PRODUCT WITH LEAD.



RECOMMENDED P.C. BOARD HOLE LAYOUT

| | |
|----|--|
| G | LEAD FREE UCP2004-1769 RWWHITE 04/04/01 |
| F | ADDED BLOCK TOL PER UDT2002-1391 RSFOX 02/05/22 |
| E | ADDED VIEW A PER UDT2000-0570 ICARIKCI 01/05/09 |
| D | VOIDED -0402/-0440 PER ECR NO U61668 SCARTH 97/02/05 |
| C2 | CHANGED PKG SPEC PER ECR NO U61668 07/03/96 WGM |
| C1 | ADDED -0442/-0520 PER ECR NO U61668 04/01/96 BJS |
| C | REMOVED 2 CKT PER ECR U50792 02/08/95 CAC |
| B | VOIDED -0241/-0280 PER ECR U40417 03/28/94 BRINKMAN 05/09/94 REED |
| A1 | ADDED -0401/0440 PER ECR U40417 03/28/94 BRINKMAN |
| A | RELEASED PER ECR U30843 06/02/93 REED |

MATERIAL:

- WAFER - G.F. POLYESTER; 94V-0; COLOR: BLACK
PIN - PHOSPHOR BRONZE

DIMENSIONS SHOWN (METRIC) INCH UNLESS OTHERWISE SPECIFIED TOLERANCES: ANGULAR ± 1/2°

| | |
|----------------|--------|
| 3 PLATE ± .005 | METRIC |
| 2 PLATE ± .01 | ± 0.13 |
| 1 PLATE --- | ± 0.25 |

DRAFT WHERE APPLICABLE MUST REMAIN WITHIN DIMENSIONS

DRWG. BY: SMR CHK'D. BY: SMR
APP'D. BY: SCALE 4 : 1

FILE NAME: 570287X1

THIS DRAWING CONTAINS INFORMATION THAT IS PROPRIETARY TO MOLEX INC. AND SHOULD NOT BE USED WITHOUT WRITTEN PERMISSION.

REVISIONS

| NO. | REV. | DESCRIPTION |
|-----|------|-------------|
| 3 | G | |
| 2 | G | |
| 1 | G | |

SALES ASSY-DUAL ROW WAFER
.025 SQ. PINS/.100 GRID
W/RETENTION PINS ON CENTER

MOLEX INCORPORATED
LITSE, ILL. 60532 U.S.A.

SHEET NO. 1 OF 3
DATE 06/02/93

PART NO. SDA-70287-0001-5000
DRWG. NO.

| J | 13 | 12 | 11 | 10 | 9 | 8 | 7 | 6 | 70287 | | 4 | 3 | 2 | 1 |
|---|-------------------------------|-------------------------|----------------|-----------------|-------------------|------------------------|--|-----------------------|------------------------|--|---|---|---|---|
| | ENGINEERING NUMBER A-70287 | RELEASE FOR MANUFACTURE | C REF. | E REF. | F ±(0.25) 0.10 | RETENTIVE PIN LOCATION | PLATING TYPE - SEE CODES LISTED ON SHEET 1 | CONNECTOR END PLATING | P.C. BOARD END PLATING | FOR PACKAGING INFORMATION SEE NOTE 9, SHEET 1 UNLESS SPECIFIED BELOW | | | | |
| | | | | | | | TYPE | H MEAS. | TYPE | K MEAS. | | | | |
| | -0002/-0040 | R.F.M. | (3.18) .125 | (11.56) .455 | (6.10) .240 | SEE NOTE 6, SHEET 1 | TIN | (2.54) .100 | TIN | (1.27) .050 | | | | |
| | -0042/-0080 | R.F.M. | (3.18) .125 | (13.59) .535 | (8.13) .320 | SEE NOTE 6, SHEET 1 | TIN | (4.57) .180 | TIN | (1.27) .050 | | | | |
| I | -0082/-0120 | R.F.M. | (3.18) .125 | (11.56) .455 | (6.10) .240 | SEE NOTE 6, SHEET 1 | 15 GOLD | (2.54) .100 | TIN | (1.27) .050 | | | | |
| | -0122/-0160 | R.F.M. | (3.18) .125 | (13.59) .535 | (8.13) .320 | SEE NOTE 6, SHEET 1 | 15 GOLD | (4.57) .180 | TIN | (1.27) .050 | | | | |
| | -0162/-0200 | R.F.M. | (3.18) .125 | (11.56) .455 | (6.10) .240 | SEE NOTE 6, SHEET 1 | 30 GOLD | (2.54) .100 | TIN | (1.27) .050 | | | | |
| H | -0202/-0240 | R.F.M. | (3.18) .125 | (13.59) .535 | (8.13) .320 | SEE NOTE 6, SHEET 1 | 30 GOLD | (4.57) .180 | TIN | (1.27) .050 | | | | |
| | -0242/-0280 | | | | | | | | | | | | | |

| G | CKTS | EDP NUMBER | ENG NUMBER | EDP NUMBER | ENG NUMBER | EDP NUMBER | ENG NUMBER | EDP NUMBER | ENG NUMBER | EDP NUMBER | ENG NUMBER | EDP NUMBER | ENG NUMBER | EDP NUMBER | ENG NUMBER | CKTS |
|---|------|------------|--------------|------------|--------------|------------|--------------|------------|--------------|------------|--------------|------------|--------------|------------|--------------|------|
| | 04 | 10-96-7043 | A-70287-0002 | 10-96-7044 | A-70287-0042 | 10-96-7045 | A-70287-0082 | 10-96-7046 | A-70287-0122 | 10-96-7047 | A-70287-0162 | 10-96-7048 | A-70287-0202 | | A-70287-0242 | 04 |
| | 06 | 10-96-7063 | A-70287-0003 | 10-96-7064 | A-70287-0043 | 10-96-7065 | A-70287-0083 | 10-96-7066 | A-70287-0123 | 10-96-7067 | A-70287-0163 | 10-96-7068 | A-70287-0203 | | A-70287-0243 | 06 |
| | 08 | 10-96-7083 | A-70287-0004 | 10-96-7084 | A-70287-0044 | 10-96-7085 | A-70287-0084 | 10-96-7086 | A-70287-0124 | 10-96-7087 | A-70287-0164 | 10-96-7088 | A-70287-0204 | | A-70287-0244 | 08 |
| | 10 | 10-96-7103 | A-70287-0005 | 10-96-7104 | A-70287-0045 | 10-96-7105 | A-70287-0085 | 10-96-7106 | A-70287-0125 | 10-96-7107 | A-70287-0165 | 10-96-7108 | A-70287-0205 | | A-70287-0245 | 10 |
| | 12 | 10-96-7123 | A-70287-0006 | 10-96-7124 | A-70287-0046 | 10-96-7125 | A-70287-0086 | 10-96-7126 | A-70287-0126 | 10-96-7127 | A-70287-0166 | 10-96-7128 | A-70287-0206 | | A-70287-0246 | 12 |
| | 14 | 10-96-7143 | A-70287-0007 | 10-96-7144 | A-70287-0047 | 10-96-7145 | A-70287-0087 | 10-96-7146 | A-70287-0127 | 10-96-7147 | A-70287-0167 | 10-96-7148 | A-70287-0207 | | A-70287-0247 | 14 |
| | 16 | 10-96-7163 | A-70287-0008 | 10-96-7164 | A-70287-0048 | 10-96-7165 | A-70287-0088 | 10-96-7166 | A-70287-0128 | 10-96-7167 | A-70287-0168 | 10-96-7168 | A-70287-0208 | | A-70287-0248 | 16 |
| | 18 | 10-96-7183 | A-70287-0009 | 10-96-7184 | A-70287-0049 | 10-96-7185 | A-70287-0089 | 10-96-7186 | A-70287-0129 | 10-96-7187 | A-70287-0169 | 10-96-7188 | A-70287-0209 | | A-70287-0249 | 18 |
| F | 20 | 10-96-7203 | A-70287-0010 | 10-96-7204 | A-70287-0050 | 10-96-7205 | A-70287-0090 | 10-96-7206 | A-70287-0130 | 10-96-7207 | A-70287-0170 | 10-96-7208 | A-70287-0210 | | A-70287-0250 | 20 |
| | 22 | 10-96-7223 | A-70287-0011 | 10-96-7224 | A-70287-0051 | 10-96-7225 | A-70287-0091 | 10-96-7226 | A-70287-0131 | 10-96-7227 | A-70287-0171 | 10-96-7228 | A-70287-0211 | | A-70287-0251 | 22 |
| | 24 | 10-96-7243 | A-70287-0012 | 10-96-7244 | A-70287-0052 | 10-96-7245 | A-70287-0092 | 10-96-7246 | A-70287-0132 | 10-96-7247 | A-70287-0172 | 10-96-7248 | A-70287-0212 | | A-70287-0252 | 24 |
| | 26 | 10-96-7263 | A-70287-0013 | 10-96-7264 | A-70287-0053 | 10-96-7265 | A-70287-0093 | 10-96-7266 | A-70287-0133 | 10-96-7267 | A-70287-0173 | 10-96-7268 | A-70287-0213 | | A-70287-0253 | 26 |
| | 28 | 10-96-7283 | A-70287-0014 | 10-96-7284 | A-70287-0054 | 10-96-7285 | A-70287-0094 | 10-96-7286 | A-70287-0134 | 10-96-7287 | A-70287-0174 | 10-96-7288 | A-70287-0214 | | A-70287-0254 | 28 |
| | 30 | 10-96-7303 | A-70287-0015 | 10-96-7304 | A-70287-0055 | 10-96-7305 | A-70287-0095 | 10-96-7306 | A-70287-0135 | 10-96-7307 | A-70287-0175 | 10-96-7308 | A-70287-0215 | | A-70287-0255 | 30 |
| | 32 | 10-96-7323 | A-70287-0016 | 10-96-7324 | A-70287-0056 | 10-96-7325 | A-70287-0096 | 10-96-7326 | A-70287-0136 | 10-96-7327 | A-70287-0176 | 10-96-7328 | A-70287-0216 | | A-70287-0256 | 32 |
| | 34 | 10-96-7343 | A-70287-0017 | 10-96-7344 | A-70287-0057 | 10-96-7345 | A-70287-0097 | 10-96-7346 | A-70287-0137 | 10-96-7347 | A-70287-0177 | 10-96-7348 | A-70287-0217 | | A-70287-0257 | 34 |
| E | 36 | 10-96-7363 | A-70287-0018 | 10-96-7364 | A-70287-0058 | 10-96-7365 | A-70287-0098 | 10-96-7366 | A-70287-0138 | 10-96-7367 | A-70287-0178 | 10-96-7368 | A-70287-0218 | | A-70287-0258 | 36 |
| | 38 | 10-96-7383 | A-70287-0019 | 10-96-7384 | A-70287-0059 | 10-96-7385 | A-70287-0099 | 10-96-7386 | A-70287-0139 | 10-96-7387 | A-70287-0179 | 10-96-7388 | A-70287-0219 | | A-70287-0259 | 38 |
| | 40 | 10-96-7403 | A-70287-0020 | 10-96-7404 | A-70287-0060 | 10-96-7405 | A-70287-0100 | 10-96-7406 | A-70287-0140 | 10-96-7407 | A-70287-0180 | 10-96-7408 | A-70287-0220 | | A-70287-0260 | 40 |
| | 42 | 10-96-7423 | A-70287-0021 | 10-96-7424 | A-70287-0061 | 10-96-7425 | A-70287-0101 | 10-96-7426 | A-70287-0141 | 10-96-7427 | A-70287-0181 | 10-96-7428 | A-70287-0221 | | A-70287-0261 | 42 |
| | 44 | 10-96-7443 | A-70287-0022 | 10-96-7444 | A-70287-0062 | 10-96-7445 | A-70287-0102 | 10-96-7446 | A-70287-0142 | 10-96-7447 | A-70287-0182 | 10-96-7448 | A-70287-0222 | | A-70287-0262 | 44 |
| | 46 | 10-96-7463 | A-70287-0023 | 10-96-7464 | A-70287-0063 | 10-96-7465 | A-70287-0103 | 10-96-7466 | A-70287-0143 | 10-96-7467 | A-70287-0183 | 10-96-7468 | A-70287-0223 | | A-70287-0263 | 46 |
| D | 48 | 10-96-7483 | A-70287-0024 | 10-96-7484 | A-70287-0064 | 10-96-7485 | A-70287-0104 | 10-96-7486 | A-70287-0144 | 10-96-7487 | A-70287-0184 | 10-96-7488 | A-70287-0224 | | A-70287-0264 | 48 |
| | 50 | 10-96-7503 | A-70287-0025 | 10-96-7504 | A-70287-0065 | 10-96-7505 | A-70287-0105 | 10-96-7506 | A-70287-0145 | 10-96-7507 | A-70287-0185 | 10-96-7508 | A-70287-0225 | | A-70287-0265 | 50 |
| | 52 | 10-96-7523 | A-70287-0026 | 10-96-7524 | A-70287-0066 | 10-96-7525 | A-70287-0106 | 10-96-7526 | A-70287-0146 | 10-96-7527 | A-70287-0186 | 10-96-7528 | A-70287-0226 | | A-70287-0266 | 52 |
| | 54 | 10-96-7543 | A-70287-0027 | 10-96-7544 | A-70287-0067 | 10-96-7545 | A-70287-0107 | 10-96-7546 | A-70287-0147 | 10-96-7547 | A-70287-0187 | 10-96-7548 | A-70287-0227 | | A-70287-0267 | 54 |
| | 56 | 10-96-7563 | A-70287-0028 | 10-96-7564 | A-70287-0068 | 10-96-7565 | A-70287-0108 | 10-96-7566 | A-70287-0148 | 10-96-7567 | A-70287-0188 | 10-96-7568 | A-70287-0228 | | A-70287-0268 | 56 |
| | 58 | 10-96-7583 | A-70287-0029 | 10-96-7584 | A-70287-0069 | 10-96-7585 | A-70287-0109 | 10-96-7586 | A-70287-0149 | 10-96-7587 | A-70287-0189 | 10-96-7588 | A-70287-0229 | | A-70287-0269 | 58 |
| | 60 | 10-96-7603 | A-70287-0030 | 10-96-7604 | A-70287-0070 | 10-96-7605 | A-70287-0110 | 10-96-7606 | A-70287-0150 | 10-96-7607 | A-70287-0190 | 10-96-7608 | A-70287-0230 | | A-70287-0270 | 60 |
| | 62 | 10-96-7623 | A-70287-0031 | 10-96-7624 | A-70287-0071 | 10-96-7625 | A-70287-0111 | 10-96-7626 | A-70287-0151 | 10-96-7627 | A-70287-0191 | 10-96-7628 | A-70287-0231 | | A-70287-0271 | 62 |
| C | 64 | 10-96-7643 | A-70287-0032 | 10-96-7644 | A-70287-0072 | 10-96-7645 | A-70287-0112 | 10-96-7646 | A-70287-0152 | 10-96-7647 | A-70287-0192 | 10-96-7648 | A-70287-0232 | | A-70287-0272 | 64 |
| | 66 | 10-96-7663 | A-70287-0033 | 10-96-7664 | A-70287-0073 | 10-96-7665 | A-70287-0113 | 10-96-7666 | A-70287-0153 | 10-96-7667 | A-70287-0193 | 10-96-7668 | A-70287-0233 | | A-70287-0273 | 66 |
| | 68 | 10-96-7683 | A-70287-0034 | 10-96-7684 | A-70287-0074 | 10-96-7685 | A-70287-0114 | 10-96-7686 | A-70287-0154 | 10-96-7687 | A-70287-0194 | 10-96-7688 | A-70287-0234 | | A-70287-0274 | 68 |
| | 70 | 10-96-7703 | A-70287-0035 | 10-96-7704 | A-70287-0075 | 10-96-7705 | A-70287-0115 | 10-96-7706 | A-70287-0155 | 10-96-7707 | A-70287-0195 | 10-96-7708 | A-70287-0235 | | A-70287-0275 | 70 |
| | 72 | 10-96-7723 | A-70287-0036 | 10-96-7724 | A-70287-0076 | 10-96-7725 | A-70287-0116 | 10-96-7726 | A-70287-0156 | 10-96-7727 | A-70287-0196 | 10-96-7728 | A-70287-0236 | | A-70287-0276 | 72 |
| | 74 | 10-96-7743 | A-70287-0037 | 10-96-7744 | A-70287-0077 | 10-96-7745 | A-70287-0117 | 10-96-7746 | A-70287-0157 | 10-96-7747 | A-70287-0197 | 10-96-7748 | A-70287-0237 | | A-70287-0277 | 74 |
| | 76 | 10-96-7763 | A-70287-0038 | 10-96-7764 | A-70287-0078 | 10-96-7765 | A-70287-0118 | 10-96-7766 | A-70287-0158 | 10-96-7767 | A-70287-0198 | 10-96-7768 | A-70287-0238 | | A-70287-0278 | 76 |
| | 78 | 10-96-7783 | A-70287-0039 | 10-96-7784 | A-70287-0079 | 10-96-7785 | A-70287-0119 | 10-96-7786 | A-70287-0159 | 10-96-7787 | A-70287-0199 | 10-96-7788 | A-70287-0239 | | A-70287-0279 | 78 |
| B | 80 | 10-96-7803 | A-70287-0040 | 10-96-7804 | A-70287-0080 | 10-96-7805 | A-70287-0120 | 10-96-7806 | A-70287-0160 | 10-96-7807 | A-70287-0200 | 10-96-7808 | A-70287-0240 | | A-70287-0280 | 80 |

| | | | | |
|------|-------------|-------------|--|---|
| A | F | SEE SHEET I | DIMENSIONS SHOWN (METRIC) INCH UNLESS OTHERWISE SPECIFIED TOLERANCES: ANGULAR ± 1/2° INCH METRIC 5 PLACE ± .005 --- 2 PLACE ± .01 ± 0.13 1 PLACE --- ± 0.25 DRAFT WHERE APPLICABLE MUST REMAIN WITHIN DIMENSIONS DRWG. NO. SDA-70287-0001-5000 FILE NAME: S70287X2 | <input checked="" type="checkbox"/> = 0 <input type="checkbox"/> = 0 REVISE ONLY ON CAD SYSTEM TITLE: SALES ASSY-DUAL ROW WAFER .025 SQ. PINS/.100 GRID W/RETENTION PINS ON CENTER FROM: MOLEX INCORPORATED SHEET NO. 2 DATE 06/02/93 L15LEJLL 60532 U.S.A. PART NO. SEE CHART DRWG. NO. SDA-70287-0001-5000 FILE NAME: S70287X2 THIS DRAWING CONTAINS INFORMATION THAT IS PROPRIETARY TO MOLEX INC. AND SHOULD NOT BE USED WITHOUT WRITTEN PERMISSION. |
| | E | SEE SHEET I | | |
| | C2 | SEE SHEET I | | |
| | C | SEE SHEET I | | |
| | B | SEE SHEET I | | |
| | A1 | SEE SHEET I | | |
| G | SEE SHEET I | A | SEE SHEET I | |
| LTR. | REVISIONS | LTR. | REVISIONS | |

| | | | | | | | | | | | | |
|----|----|----|----|---|---|---|---|---|---|---|---|---|
| 13 | 12 | 11 | 10 | 9 | 8 | 7 | 6 | 5 | 4 | 3 | 2 | 1 |
|----|----|----|----|---|---|---|---|---|---|---|---|---|