

128Kx8 Monolithic High Speed CMOS Static RAM

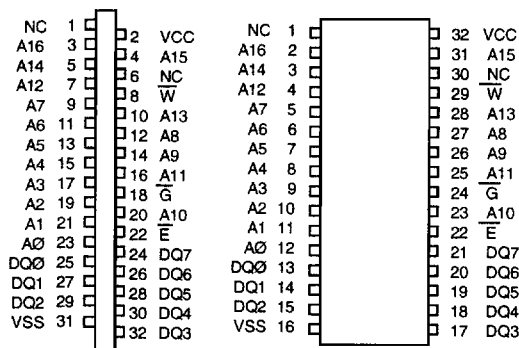
The EDI88128CS is a high speed, high performance, megabit density monolithic Static RAM organized as 128Kx8 bits.

The device has eight bi-directional input-output lines to provide simultaneous access to all bits in a word. An automatic power down feature permits the on-chip circuitry to enter a very low standby mode and be brought back into operation at a speed equal to the address access time.

A Low Power version, EDI88128LPS, includes a 2V Data Retention Function for battery back-up operation.

Military product is compliant to MIL-STD-883, Paragraph 1.2.1. Industrial grade product is also available.

Pin Configurations and Block Diagram



Features

128Kx8 bit CMOS Static
Random Access Memory

- Fast Access Times: 20*, 25, 35, 45, and 55ns
- \bar{E} and \bar{G} Functions for Bus Control
- 2V Data Retention (EDI88128LPS)
- TTL Compatible Inputs and Outputs
- Fully Static, No Clocks

Thru-hole and Surface Mount Packages
Jedec Pinout

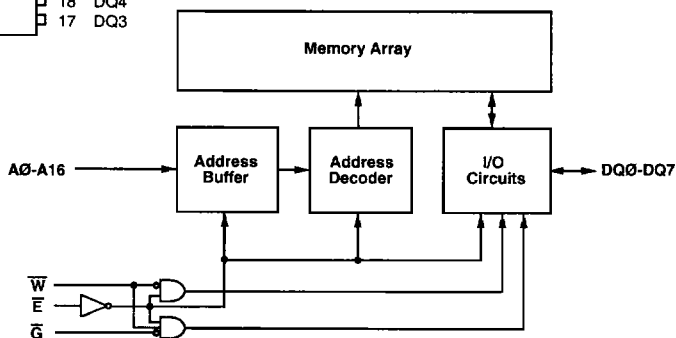
- 32 Pin Dual-in-line Packages
Ceramic DIP, 400 mils Wide, No. 102
Ceramic DIP, 600 mils Wide, No. 9
- 32 Lead Ceramic ZIP, No. 100
- 32 Lead Ceramic SOJ, No. 140
- 32 Pad Ceramic LCC, No. 141
- 32 Lead Ceramic Flatpack, No. 142

Single +5V ($\pm 10\%$) Supply Operation

* Commercial Temp Range Only

Pin Names

A0-A16	Address Inputs
\bar{E}	Chip Enable
\bar{W}	Write Enable
\bar{G}	Output Enable
DQ0-DQ7	Common Data Input/Output
VCC	Power (+5V $\pm 10\%$)
VSS	Ground
NC	No Connection



Ordering Information
Military*

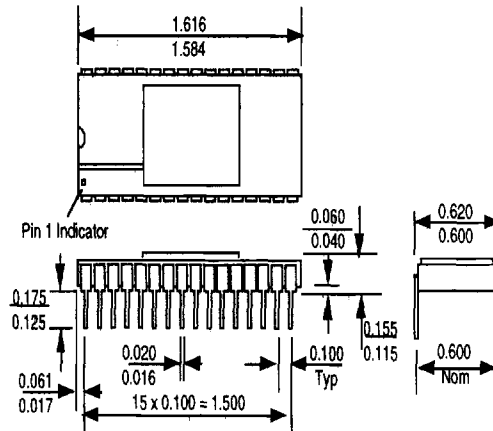
Part No. Standard Power	Speed ns	Leads	Package Style	No.
EDI88128CS20CC*	20	32	0.6 DIP	9
EDI88128CS25CB	25	32	0.6 DIP	9
EDI88128CS35CB	35	32	0.6 DIP	9
EDI88128CS45CB	45	32	0.6 DIP	9
EDI88128CS55CB	55	32	0.6 DIP	9
EDI88128CS20FC*	20	32	Flatpack	142
EDI88128CS25FB	25	32	Flatpack	142
EDI88128CS35FB	35	32	Flatpack	142
EDI88128CS45FB	45	32	Flatpack	142
EDI88128CS55FB	55	32	Flatpack	142
EDI88128CS20LC*	20	32	LCC	141
EDI88128CS25LB	25	32	LCC	141
EDI88128CS35LB	35	32	LCC	141
EDI88128CS45LB	45	32	LCC	141
EDI88128CS55LB	55	32	LCC	141
EDI88128CS20NC*	20	32	CSOJ	140
EDI88128CS25NB	25	32	CSOJ	140
EDI88128CS35NB	35	32	CSOJ	140
EDI88128CS45NB	45	32	CSOJ	140
EDI88128CS55NB	55	32	CSOJ	140
EDI88128CS20TC*	20	32	0.4 DIP	102
EDI88128CS25TB	25	32	0.4 DIP	102
EDI88128CS35TB	35	32	0.4 DIP	102
EDI88128CS45TB	45	32	0.4 DIP	102
EDI88128CS55TB	55	32	0.4 DIP	102
EDI88128CS20ZC*	20	32	ZIP	100
EDI88128CS25ZB	25	32	ZIP	100
EDI88128CS35ZB	35	32	ZIP	100
EDI88128CS45ZB	45	32	ZIP	100
EDI88128CS55ZB	55	32	ZIP	100

Part No. Low Power	Speed ns	Leads	Package Style	No.
EDI88128LPS20CC*	20	32	0.6 DIP	9
EDI88128LPS25CB	25	32	0.6 DIP	9
EDI88128LPS35CB	35	32	0.6 DIP	9
EDI88128LPS45CB	45	32	0.6 DIP	9
EDI88128LPS55CB	55	32	0.6 DIP	9
EDI88128LPS20FC*	20	32	Flatpack	142
EDI88128LPS25FB	25	32	Flatpack	142
EDI88128LPS35FB	35	32	Flatpack	142
EDI88128LPS45FB	45	32	Flatpack	142
EDI88128LPS55FB	55	32	Flatpack	142
EDI88128LPS20LC*	20	32	LCC	141
EDI88128LPS25LB	25	32	LCC	141
EDI88128LPS35LB	35	32	LCC	141
EDI88128LPS45LB	45	32	LCC	141
EDI88128LPS55LB	55	32	LCC	141
EDI88128LPS20NC*	20	32	CSOJ	140
EDI88128LPS25NB	25	32	CSOJ	140
EDI88128LPS35NB	35	32	CSOJ	140
EDI88128LPS45NB	45	32	CSOJ	140
EDI88128LPS55NB	55	32	CSOJ	140
EDI88128LPS20TC*	20	32	0.4 DIP	102
EDI88128LPS25TB	25	32	0.4 DIP	102
EDI88128LPS35TB	35	32	0.4 DIP	102
EDI88128LPS45TB	45	32	0.4 DIP	102
EDI88128LPS55TB	55	32	0.4 DIP	102
EDI88128LPS20ZC*	20	32	ZIP	100
EDI88128LPS25ZB	25	32	ZIP	100
EDI88128LPS35ZB	35	32	ZIP	100
EDI88128LPS45ZB	45	32	ZIP	100
EDI88128LPS55ZB	55	32	ZIP	100

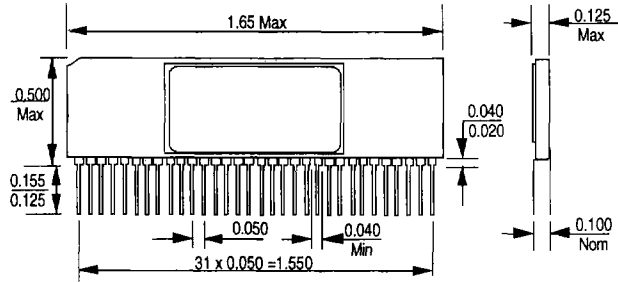
* For Commercial or Industrial grade product C or I, respectively, replaces B in part number, e.g. EDI88128CS25CB becomes EDI88128CS25CI. (20ns device currently available in Commercial Temp Range only.)

Package Descriptions

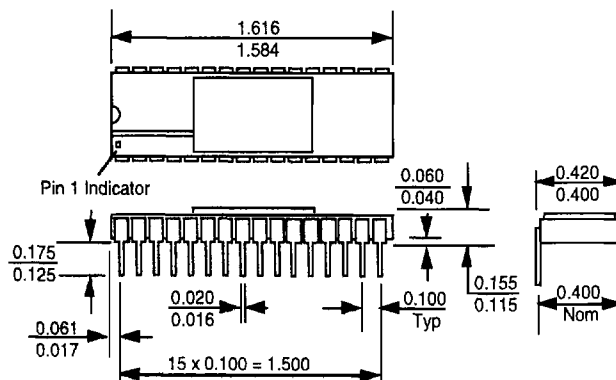
Package No. 9
32 Pin Sidebrazed Ceramic
Dual-in-line Package
600 mils wide



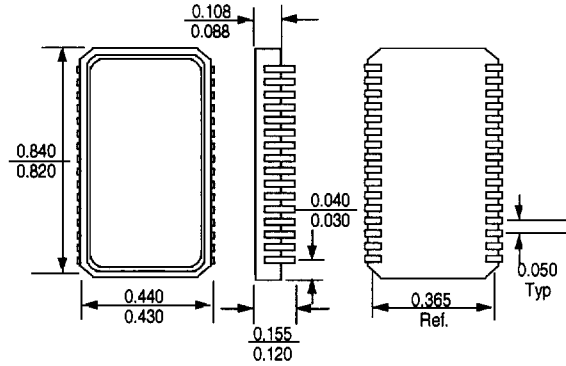
Package No. 100
32 Pin Ceramic
ZIP Package



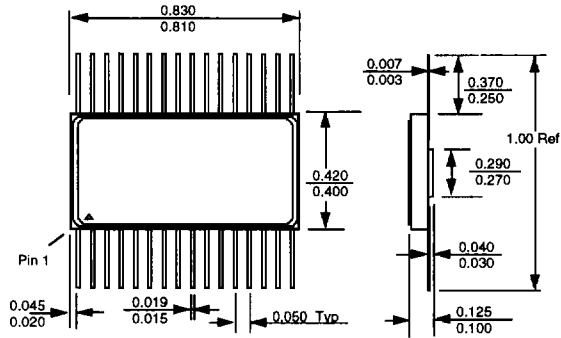
Package No. 102
32 Pin Sidebrazed Ceramic
Dual-in-line Package
400 mils wide



Package No. 140
32 Pin Ceramic SOJ
J-Leaded Package



Package No. 142
32 Pin Ceramic Flatpack



Package No. 141
32 Pin Ceramic LCC

