



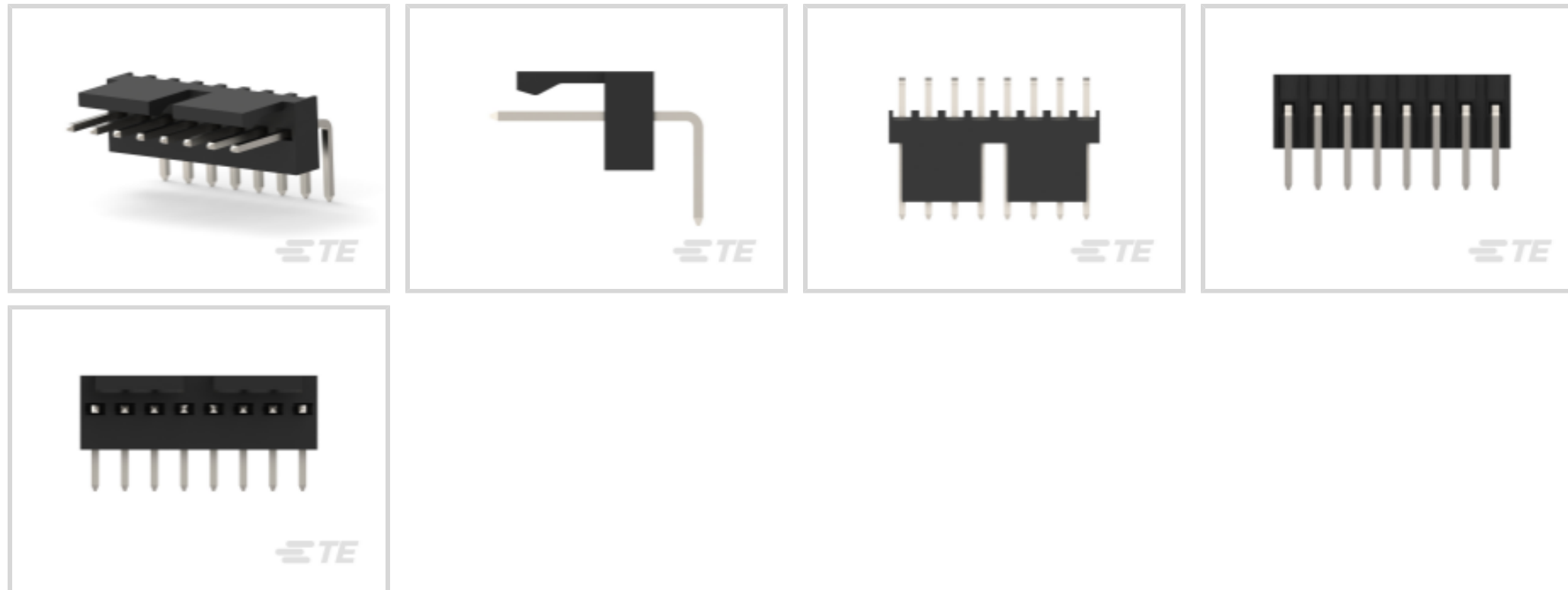
MTA 100

TE Internal #: 3-647051-8

TE Internal Description: 08P MTA100 HRD ASSYF/L HT LF

PCB Header: Nylon, Right Angle, 2.54 mm

[View on TE.com >](#)



All PCB Header: Nylon, Right Angle, 2.54 mm (12)

### Product Compliance

[For compliance documentation, visit the product page on TE.com>](#)

EU RoHS Directive 2011/65/EU	Compliant
EU ELV Directive 2000/53/EC	Compliant
China RoHS 2 Directive MIIT Order No 32, 2016	No Restricted Materials Above Threshold
EU REACH Regulation (EC) No. 1907/2006	Current ECHA Candidate List: JUNE 2023 (235) Candidate List Declared Against: JUNE 2022 (224) Does not contain REACH SVHC
Halogen Content	Low Halogen - Br, Cl, F, I < 900 ppm per homogenous material. Also BFR/CFR/PVC Free
Solder Process Capability	Pin-in-Paste capable to 260°C


Product Compliance Disclaimer

This information is provided based on reasonable inquiry of our suppliers and represents our current actual knowledge based on the information they provided. This information is subject to change. The part numbers that TE has identified as EU RoHS compliant have a maximum concentration of 0.1% by weight in homogenous materials for lead, hexavalent chromium, mercury, PBB, PBDE, DBP, BBP, DEHP, DIBP, and 0.01% for cadmium, or qualify for an exemption to these limits as defined in the Annexes of Directive 2011/65/EU (RoHS2). Finished electrical and electronic equipment products will be CE marked as required by Directive 2011/65/EU. Components may not be CE marked. Additionally, the part numbers that TE has identified as EU ELV compliant have a maximum concentration of 0.1% by weight in homogenous materials for lead, hexavalent chromium, and mercury, and 0.01% for cadmium, or qualify for an exemption to these limits as defined in the Annexes of Directive 2000/53/EC (ELV). Regarding the REACH Regulation, the information TE provides on SVHC in articles for this part number is based on the latest European Chemicals Agency (ECHA) 'Guidance on requirements for substances in articles' posted at this URL: <https://echa.europa.eu/guidance-documents/guidance-on-reach>


## Also in the Series | MTA 100



Connector Caps & Covers(69)




Insertion & Extraction Tools(2)



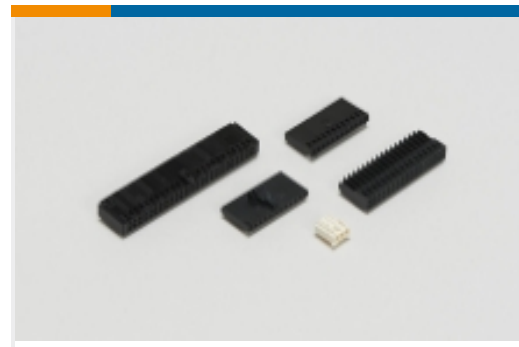
PCB Connector Keying(1)




PCB Headers & Receptacles(440)



Standard Rectangular Connectors(495)

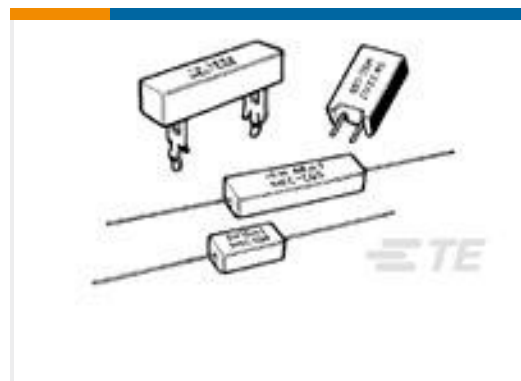


Wire-to-Board Connector Assemblies & Housings(1)



Wire-to-Board Connector Contacts(8)

## Customers Also Bought



TE Part #1-1623789-0  
SQM7 2R2 2% (WIRE)



TE Part #6-1609091-4  
1FBL3=F8540



TE Part #1-643464-4  
07P MTA156 HD ASY ST W/O#1,4,6



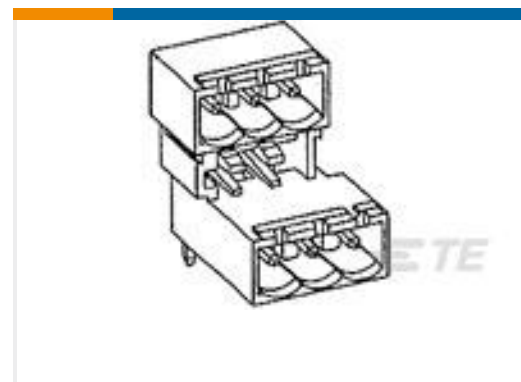
TE Part #647290-1  
03P MTA156 HDR STR SN OMIT # 3



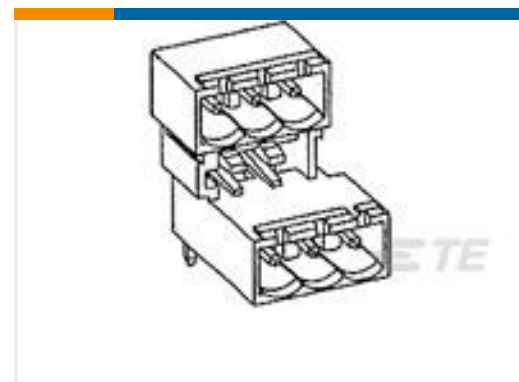
TE Part #641991-5  
07P MTA156 HDT SQ W/O#1,4,6



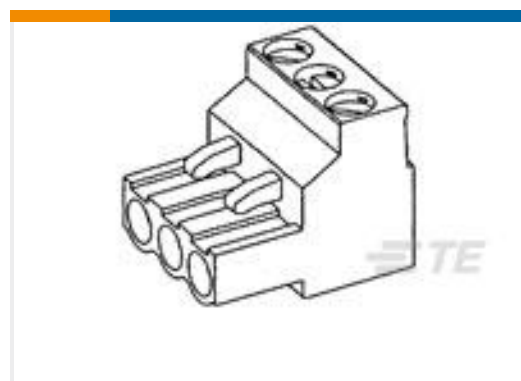
TE Part #1-2027011-0  
R10-E2W4-S1.8K=RELAY,7.5A,4C, AGCDO,24VDC



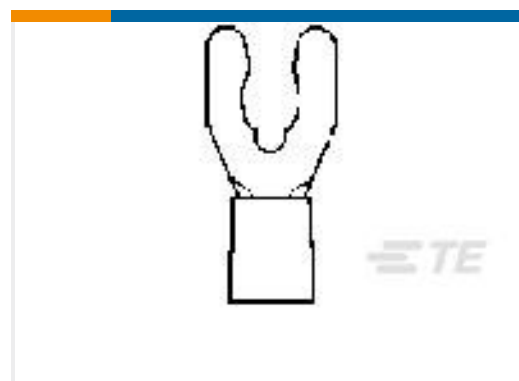
TE Part #1776167-3  
3P TERMI-BLOK HDR,HIGH TEMP



TE Part #1776167-4  
4P TERMI-BLOK HDR,HIGH TEMP



TE Part #796641-7  
7 POS 5.0 MM R/A PLUG,TRM BLK



TE Part #8-53125-1  
SOLIS SPR SPD 16-14, 10



## Documents

### Product Drawings

[08P MTA100 HRD ASSYF/L HT LF](#)

English

---

### CAD Files

[3D PDF](#)

3D

Customer View Model

[ENG\\_CVM\\_CVM\\_3-647051-8\\_H\\_c-3-647051-8-h.2d\\_dxf.zip](#)

English

Customer View Model

[ENG\\_CVM\\_CVM\\_3-647051-8\\_H\\_c-3-647051-8-h.3d\\_igs.zip](#)

English

Customer View Model

[ENG\\_CVM\\_CVM\\_3-647051-8\\_H\\_c-3-647051-8-h.3d\\_stp.zip](#)

English

By downloading the CAD file I accept and agree to the [Terms and Conditions](#) of use.

---

### Product Specifications

[Product Specification](#)

English

---

### Agency Approvals

[Agency Approval Document](#)

English