


Data Display Products®
T-1 PCB MOUNT LEDs
Single, Standard

- Red, Amber, Amber/Yellow, Yellow, Green, Blue
- Right Angle or Vertical Mount LEDs
- For Detailed LED Data, See Discrete Section, MODEL 125

Model		LED(Model 125)				
		Color	λ_{pk} (nm)	$I_V(1)$ (mcd)	Description	
PCH125	Right Angle Mount	-ER	RED	660	48	Diffused
PCH125-200	Right Angle Mount	-ECR	RED	660	60	Non-Diffused
PCV125	Vertical Mount	-EWR	RED	660	60	Water Clear
PCV125-200	Vertical Mount	-PCR	RED	660	80	Non-Diffused
		-UR	RED	660	100	Diffused
		-UCR	RED	660	160	Non-Diffused
		-UWR	RED	660	160	Water Clear
		-MR	RED	635	8	Diffused
		-BR	RED	635	14	Diffused
		-BCR	RED	635	24	Non-Diffused
		-EA	AMB	605	18	Diffused
		-ECA	AMB	605	24	Non-Diffused
		-EWA	AMB	605	24	Water Clear
		-UA	AMB	605	30	Diffused
		-PCA	AMB	605	40	Non-Diffused
		-UCA	AMB	605	60	Non-Diffused
		-UWA	AMB	605	60	Water Clear
		-MA	AMB	585	9	Diffused
		-BA	AMB	583	14	Diffused
		-BCA	AMB	583	24	Non-Diffused
		-EAY	AMB/YEL	580	18	Diffused
		-ECAY	AMB/YEL	580	24	Non-Diffused
		-EWAY	AMB/YEL	580	24	Water Clear
		-UAY	AMB/YEL	580	30	Diffused
		-PCAY	AMB/YEL	580	40	Non-Diffused
		-UCAY	AMB/YEL	580	60	Non-Diffused
		-UWAY	AMB/YEL	580	60	Water Clear
		-EY	YEL	570	30	Diffused
		-ECY	YEL	570	48	Non-Diffused
		-EWY	YEL	570	48	Water Clear
		-PCY	YEL	570	60	Non-Diffused
		-UY	YEL	570	80	Diffused
		-UCY	YEL	570	150	Non-Diffused
		-UWY	YEL	570	150	Water Clear
		-BG	GRN	565	14	Diffused
		-BCG	GRN	565	24	Non-Diffused
		-MG	GRN	562	5	Diffused
		-EG	GRN	555	8	Diffused
		-ECG	GRN	555	15	Non-Diffused

**** continued ****



Data Display Products®

T-1 PCB MOUNT LEDs

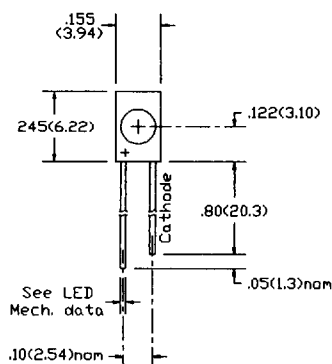
Single, Standard

Model	LED(Model 125)			
	Color	λ_{pk} (nm)	$I_v^{(1)}$ (mcd)	Description
-EWG	GRN	555	15	Water Clear
-PCG	GRN	555	20	Non-Diffused
-UG	GRN	555	20	Diffused
-UCG	GRN	555	60	Non-Diffused
-UWG	GRN	555	60	Water Clear
-SB	BLU	470	1	Diffused
-SCB	BLU	470	2	Non-Diffused
-SWB	BLU	470	3	Water Clear

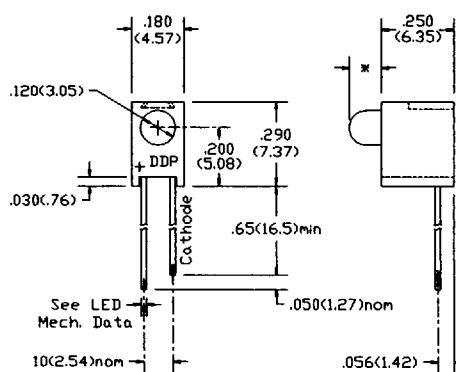
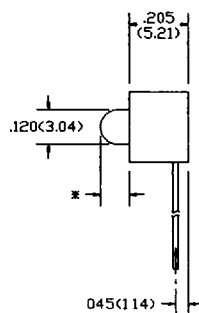
[1] I_v = typical luminous intensity @ $I_f = 20\text{mA}$ ($T_a = 25^\circ\text{C}$). For "U" Series LEDs, $I_f = 40\text{mA}$.

To Order: Select one **BOLD** component from each **SHADED** column in the table except as noted.

Examples: **PCH125-PCY** (Model PCH125, P Series, Non-Diffused YEL LED)
PCV125-200-MR (Model PCV125-200, M Series, Diffused RED LED)



PCH125



PCH125-200

* 125-BX, -BCX, -MX, -SXB	.09
125-PCX	.12
125-EX, -ECX, -EWX, -UX, -UCX, -UWX	.14

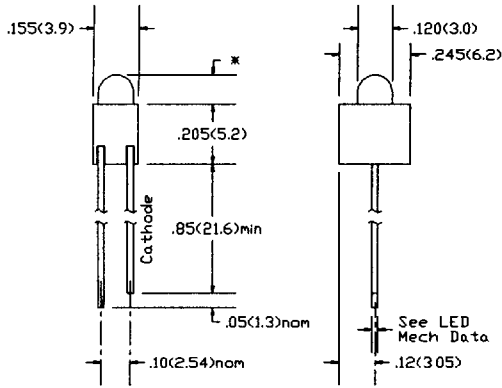
All dimensions are in inches(mm)
 Tolerances: $xx''(.x) \pm .025''(.63)$ / $xxx''(.xx) \pm .010''(.25)$
 Specifications are subject to change without notice.



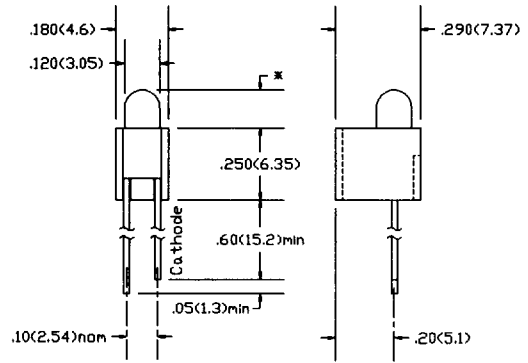
Data Display Products®

T-1 PCB MOUNT LEDs

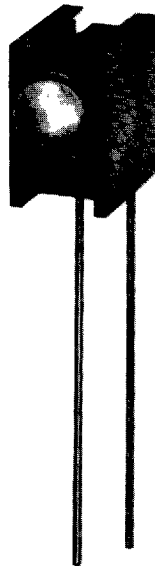
Single, Standard



PCV125



PCV125-200



* 125-BX, -BCX, -MX, -SXB	.09
125-PCX	.12
125-EX, -ECX, -FWX, -UX, -UCX, -UWX	.14

All dimensions are in inches(mm)
 Tolerances: **xx**"(x) ±.025"(.63) / **xxx**"(xx) ±.010"(.25)
 Specifications are subject to change without notice.