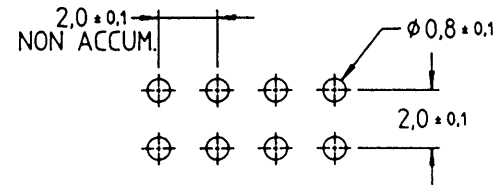
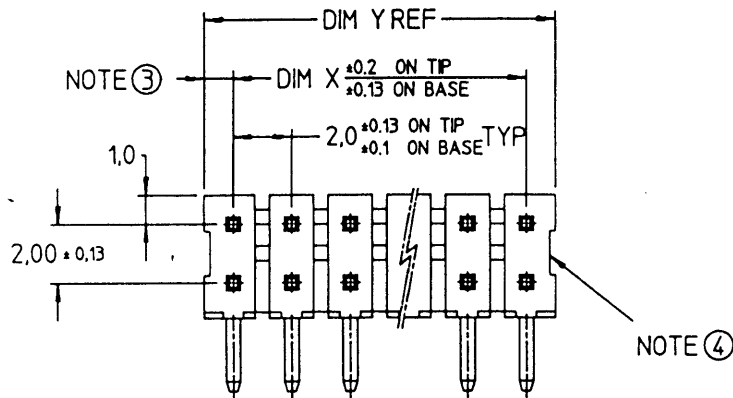
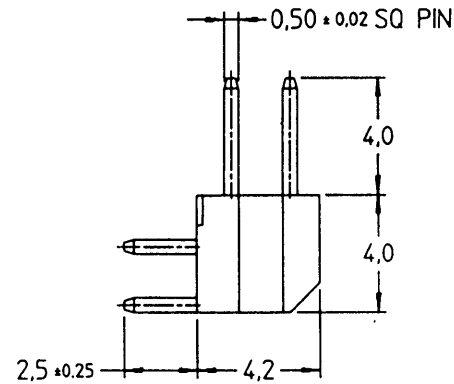
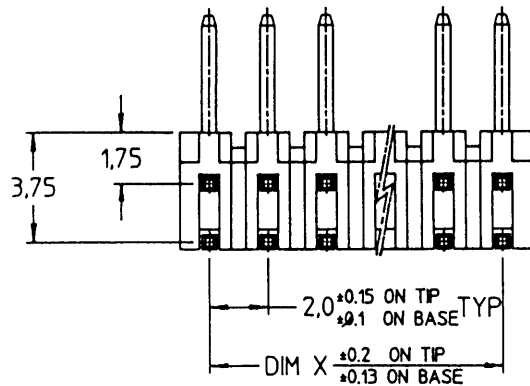


RECEIVED 16 NOV 1990



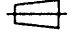
REV	DESCRIPTION	REV'D BY	DATE
A	P/N WAS SK16876	BS LOW	20MAR90
B	ECR S00232	ML CHWA	26SEP90
C	ECR S00285	BS LOW	13NOV90



PCB THK : 1.6 ± 0.1
RECOMMENDED MOUNTING HOLE LAYOUT



CUSTOMER COPY

GEN TOLERANCES		DO NOT SCALE DWG.		DuPont Electronics	
REFER TO NOTE 2		M		 DESCRIPTION MINITEK II R/A HDR (2.5 SOLDER TAIL)	
					
DRAWN	BS LOW	NAME	DATE	PRODUCT NO. 88054	
CHECKED			13 NOV 90	SCALE	
APPROVED			15 NOV 90	SHT 1 OF 2	

SNG

PRODUCT NO	POS	DIM X	DIM Y
88054-X04	2X2	2	4
X06	2X3	4	6
X08	2X4	6	8
X10	2X5	8	10
X12	2X6	10	12
X14	2X7	12	14
X16	2X8	14	16
X18	2X9	16	18
X20	2X10	18	20
X22	2X11	20	22
X24	2X12	22	24
X26	2X13	24	26
X28	2X14	26	28
X30	2X15	28	30
X32	2X16	30	32
X34	2X17	32	34
X36	2X18	34	36
X38	2X19	36	38
X40	2X20	38	40
X42	2X21	40	42
X44	2X22	42	44
X46	2X23	44	46
X48	2X24	46	48
X50	2X25	48	50

RECEIVED 16 NOV 1990

PLATING	DESCRIPTION
0	0.2 um Au
1	0.76 um Au
2	UNASSIGNED
3	0.38 um Au
4	UNASSIGNED
5	0.38 um GXT
6	0.76 um GXT

REV
A
B
C

PART NUMBER INFORMATION


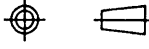
XXXXX-XXX

BASE P/N TERMINAL PLATING

NOTES

- 1 MATERIAL
BODY : GLASS FILLED NYLON UL 94V-0 BLACK
PIN : PHOSPHOR BRONZE
- 2 TOLERANCE UNLESS OTHERWISE NOTED ±0.25
- ③ DIM 1.0 APPLIES TO MOLDED SIDE(S) ONLY.
IF SIDE(S) ARE SAW, DIM 0.5 MIN APPLIES.
- ④ RECESS APPLIES TO MOLDED SIDE(S) ONLY.

CUSTOMER COPY

GEN. TOLERANCES		DO NOT SCALE DWG. MM		Du Pont Electronics  DESCRIPTION MINITEK II R/A HDR (2.5 SOLDER TAIL)	
REFER TO NOTE 2					
		NAME	DATE	PROJECT NO.	
DRAWN	BS LOW		13NOV90	PRODUCT NO. 88054	
CHECKED	<i>[Signature]</i>		13 Nov 90	SCALE	
APPROVED	<i>[Signature]</i>		15, Nov 90	SHT 2 OF 2	