



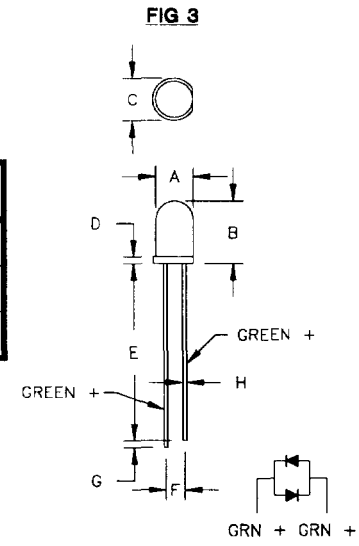
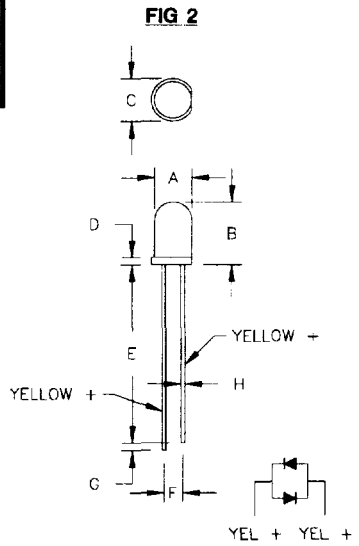
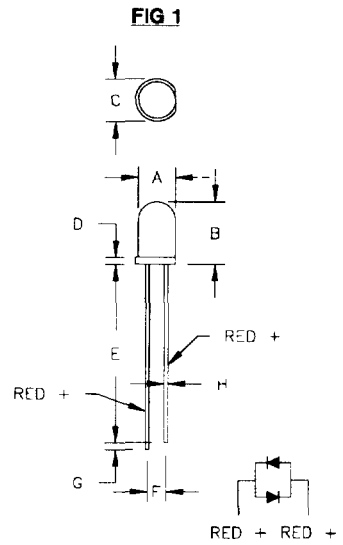
# T1<sup>3</sup>/<sub>4</sub> (5mm) BIPOLAR LEDs

DIFFUSED

LEDTRONICS PART NO.	LED COLOR	Topr/ Tstg (see notes)	ABSOLUTE MAX. RATINGS Ta=25°C				ELECTRO-OPTICAL CHARACTERISTICS Ta=25°C							FIGURE
			Pd mW	Ifp mA	If mA	Vr V	If mA typ	Iv mcd min/typ	Vf typ/max	VIEW ANGLE	IrMAX µA	λP nm		
<b>T1<sup>3</sup>/<sub>4</sub> (5mm) BIPOLAR RED LEDs / 2 LEADED, DIFFUSED WIDE ANGLE</b>														
BPL200TR3	HI-EFF RED	1/2	80	40	30	5	40	1.0/3.3	2.0/2.8	40	100	635	1	
(RED LENS)	HI-EFF RED	1/2	80	40	30	5	40	1.0/3.3	2.0/2.8	40	100	635	1	
BPL200WR3	HI-EFF RED	1/2	80	40	30	5	40	1.0/3.3	2.0/2.8	40	100	635	1	
(MILKY LENS)	HI-EFF RED	1/2	80	40	30	5	40	1.0/3.3	2.0/2.8	40	100	635	1	
<b>T1<sup>3</sup>/<sub>4</sub> (5mm) BIPOLAR YELLOW LEDs / 2 LEADED, DIFFUSED WIDE ANGLE</b>														
BPL200TY3	YELLOW	1/2	80	40	30	5	40	0.6/2.5	2.0/2.8	40	100	585	2	
(YELLOW LENS)	YELLOW	1/2	80	40	30	5	40	0.6/2.5	2.0/2.8	40	100	585	2	
BPL200WY3	YELLOW	1/2	80	40	30	5	40	0.6/2.5	2.0/2.8	40	100	585	2	
(MILKY LENS)	YELLOW	1/2	80	40	30	5	40	0.6/2.5	2.0/2.8	40	100	585	2	
<b>T1<sup>3</sup>/<sub>4</sub> (5mm) BIPOLAR GREEN LEDs / 2 LEADED, DIFFUSED WIDE ANGLE</b>														
BPL200TG3	HI-EFF GREEN	1/2	80	40	30	5	40	0.6/2.0	2.0/2.8	40	100	568	3	
(GREEN LENS)	HI-EFF GREEN	1/2	80	40	30	5	40	0.6/2.0	2.0/2.8	40	100	568	3	
BPL200TWG3	HI-EFF GREEN	1/2	80	40	30	5	40	0.6/2.0	2.0/2.8	40	100	568	3	
(MILKY LENS)	HI-EFF GREEN	1/2	80	40	30	5	40	0.6/2.0	2.0/2.8	40	100	568	3	

Topr notes: 1.) -40°C TO +85°C      Tstg notes: 2.) -40°C TO +100°C      Jctn/Cath Temp. 145°C/Watt  
Lead Soldering Temp. 260°C max., 5 sec. 1/16" (1.6mm) from body

ABSOLUTE MAX. RATINGS AND ELECTRO-OPTICAL CHARACTERISTICS ARE GIVEN PER CHIP.



## MECHANICAL SPECIFICATIONS

Tol: .XXX=.005", .XX=.010"

FIG	"A" (O.D.) (mm)	"B" (mm)	"C" (mm)	"D" (mm)	"E" TYP. (mm)	"F" (mm)	"G" NOM. (mm)	"H" SQ. (mm)	"J" (mm)
1	.197 5(mm)	.340 8.6(mm)	.230 5.9(mm)	.040 1(mm)	1.000 25.4(mm)	.100 2.54(mm)	.04 1(mm)	.020 .5(mm)	---
2	.197 5(mm)	.340 8.6(mm)	.230 5.9(mm)	.040 1(mm)	1.000 25.4(mm)	.100 2.54(mm)	.04 1(mm)	.020 .5(mm)	---
3	.197 5(mm)	.340 8.6(mm)	.230 5.9(mm)	.040 1(mm)	1.000 25.4(mm)	.100 2.54(mm)	.04 1(mm)	.020 .5(mm)	---

NOTES:  
1. PROTRUDED RESIN UNDER FLANGE IS .059" (1.5mm)