

Customer Information Sheet

DRAWING No.: M80-5C1XXXBI, M80-5C1XXXBI-00-000-00-000 SHT 2 OF 2

IF IN DOUBT - ASK

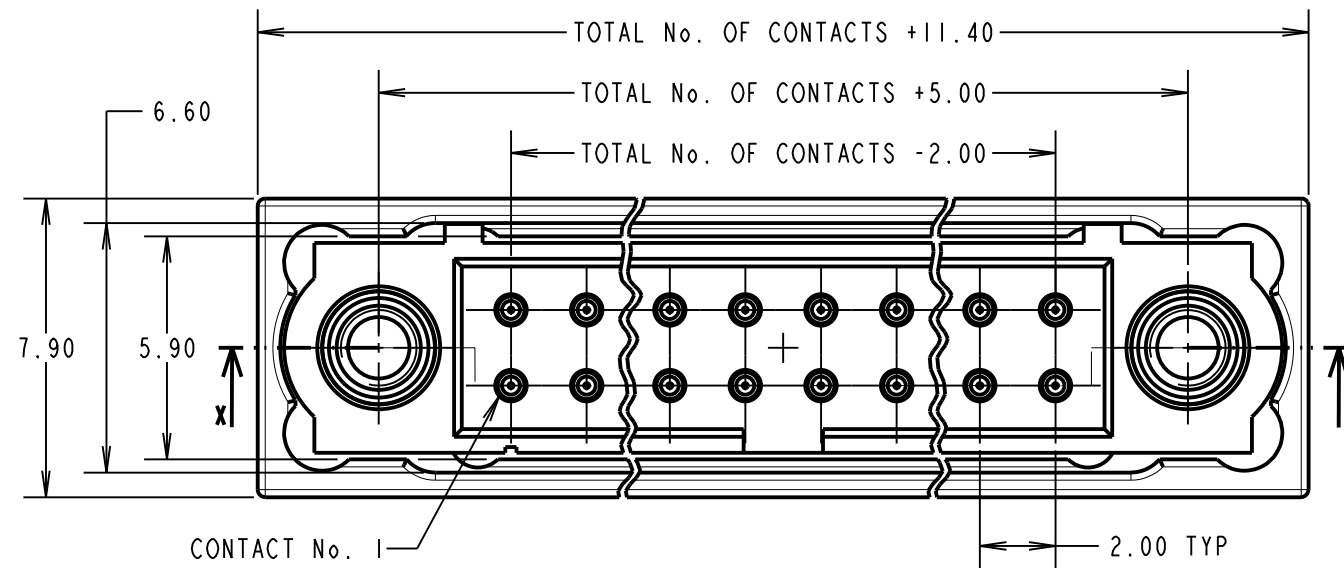
©

NOT TO SCALE

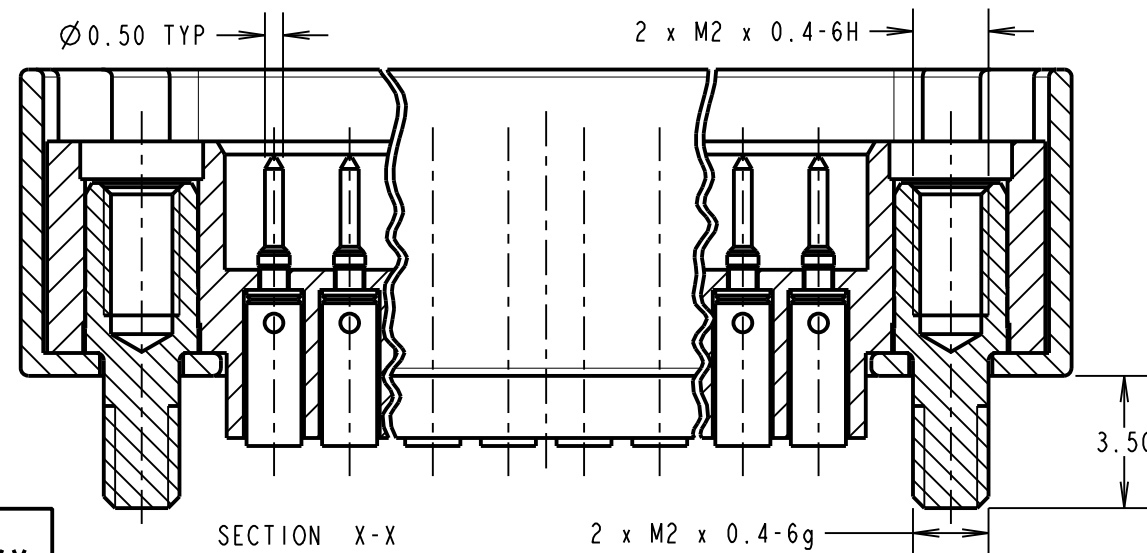
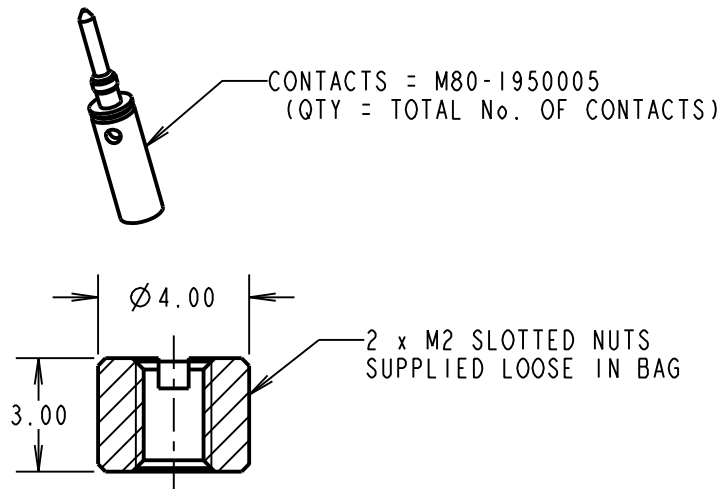
THIRD ANGLE PROJECTION

ALL DIMENSIONS IN mm

SPECIFICATIONS:
MATERIAL:
 MOULDING = GLASS-FILLED PPS, UL94V-0, BLACK
 CONTACT = BRASS
 PANEL MOUNT & NUT = STAINLESS STEEL
 BACKSHELL = ALUMINIUM ALLOY
FINISH:
 CONTACT = 0.75µ GOLD ALL OVER
 BACKSHELL = NICKEL
ELECTRICAL:
 RF ATTENUATION = 10 kHz TO 400MHz @ >30 dBs
 IN GENERAL ACCORDANCE WITH MIL STD 1377 (1971)
 CURRENT RATING AT 25°C = 3.0A MAX
 CURRENT RATING AT 85°C = 2.2A MAX
 WORKING VOLTAGE = 120V AC/DC
 VOLTAGE PROOF = 360V AC/DC
 CONTACT RESISTANCE = 25 mΩ MAX
 INSULATION RESISTANCE = 100 MΩ MIN
MECHANICAL:
 DURABILITY = 500 OPERATIONS
ENVIRONMENTAL:
 TEMPERATURE RANGE = -55°C TO +121°C
PACKING:
 SEE NOTES
 FOR COMPLETE SPECIFICATION, SEE COMPONENT SPECIFICATION C005XX (LATEST ISSUE) AND C042XX (LATEST ISSUE)



- NOTES:**
- SUPPLIED AS A KIT OF PARTS, CONNECTORS SHOWN ASSEMBLED FOR INFORMATION PURPOSES ONLY.
 - CONNECTORS WITH JACKSCREWS ASSEMBLED, SLOTTED NUTS AND CONTACTS WILL BE SUPPLIED LOOSE IN A BAG, BACKSHELLS WILL BE INDIVIDUALLY BAGGED. KITS WILL BE BULK PACKED INTO BOXES
 - FOR EXTRA CONTACTS, USE PART No: M80-1950005 FOR M80-5C1XXX05BI-00-000-00-000
 - FOR M80-5C1XXX05BI-00-000-00-000 RECOMMENDED WIRE TYPE = BS 3G 210 TYPE A, PTFE INSULATED 24-28 AWG. MAX INSULATION DIAMETER = Ø1.10mm, STRIP WIRE BY 2.00mm.
 - RECOMMENDED HAND CRIMP TOOL FOR ALL CONTACTS = M22520/2-01 WITH POSITIONER Z80-193
 - CONTACT INSERTION AND EXTRACTION TOOL = Z80-280.
 - INSTRUCTION SHEETS ARE AVAILABLE.
 - ALL PART LABELLING TO BE AS ORDER CODE, EITHER WITH TRAILING ZEROS OR LEFT BLANK AS PER ORDER CODE EXAMPLES 1 AND 2.



ORDER CODE: **M80-5C1XXXBI-XX-XXX-XX-XXX**

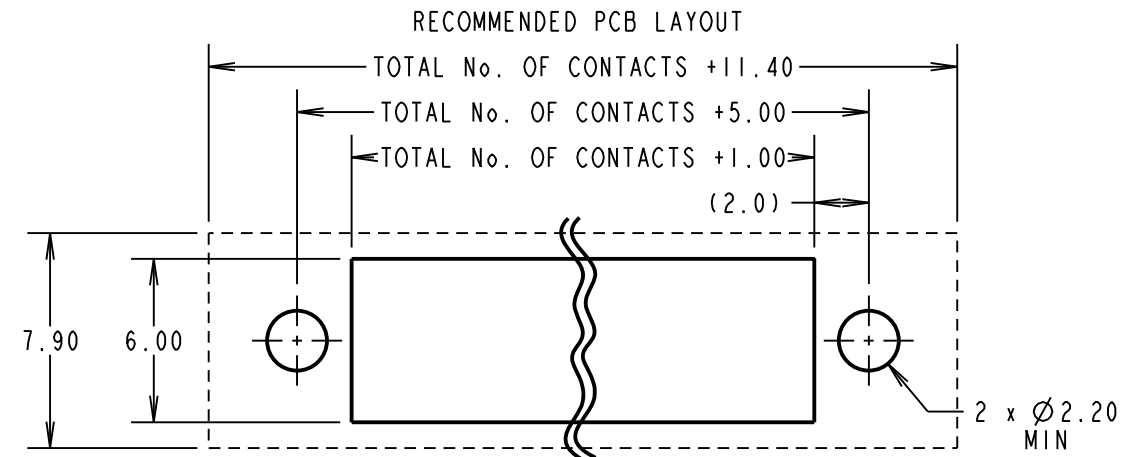
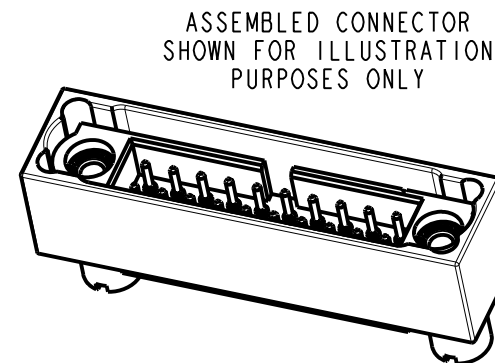
TOTAL No. OF CONTACTS: 06, 10, 14, 20, 26

FINISH CODE: 05 - ALL OVER GOLD

NUMBER OF SPECIAL CONTACTS: X's CAN BE DISPLAYED AS TRAILING ZEROS OR LEFT BLANK SEE EXAMPLE ORDER CODES FOR EXPLANATION.

EXAMPLE ORDER CODE 1: CONNECTOR WITH 20 SMALL BORE CONTACTS, ALL OVER GOLD CONTACT.
M80-5C12005BI-00-000-00-000

EXAMPLE ORDER CODE 2: CONNECTOR WITH 20 SMALL BORE CONTACTS, ALL OVER GOLD CONTACT.
M80-5C12005BI



SF	3	31.01.11	11110
NAME	ISS.	DATE	C/NOTE
APPROVED: S.FLOWER			
CHECKED: R.ADE			
DRAWN: S.FLOWER			
CUSTOMER REF.:			
ASSEMBLY DRG:			

HARWIN

HARWIN USA
 TEL: 603 893 5376
 FAX: 603 893 5396
 mis@harwin.com

HARWIN Europe (UK)
 TEL: 023 9231 4545
 FAX: 023 9231 4590
 mis@harwin.co.uk

HARWIN Asia
 TEL: +65 6 779 4909
 FAX: +65 6 779 3868
 mis@harwin.com.sg

THIS DRAWING AND ANY INFORMATION OR DESCRIPTIVE MATTER SET OUT HEREON ARE CONFIDENTIAL AND COPYRIGHT PROPERTY OF THE HARWIN GROUP AND MUST NOT BE DISCLOSED, LOANED, COPIED OR USED FOR MANUFACTURING, TENDERING OR FOR ANY OTHER PURPOSE WITHOUT THEIR WRITTEN PERMISSION.

TOLERANCES
 X. = ±1mm
 X.X = ±0.25mm
 X.XX = ±0.10mm
 X.XXX = ±0.01mm
 ANGLES = ±5°
 UNLESS STATED

MATERIAL: SEE ABOVE
FINISH: SEE ABOVE
S/AREA: mm²

TITLE: DATAMATE J-TEK DIL MALE CRIMP (SMALL BORE) ASSY WITH METAL BACKSHELL
DRAWING NUMBER: **M80-5C1XXXBI**
M80-5C1XXXBI-00-000-00-000

SHT 2 OF 2