

SPECIFICATIONS

Header Connector

HD85 Series
R/A, T/H Type
Receptacle
2.00mm [.079] Pitch

Mechanical

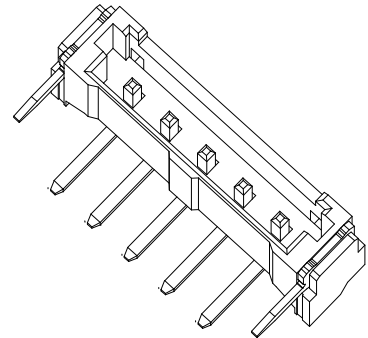
Contact Retention Force: 0.454 kg Min.

Electrical

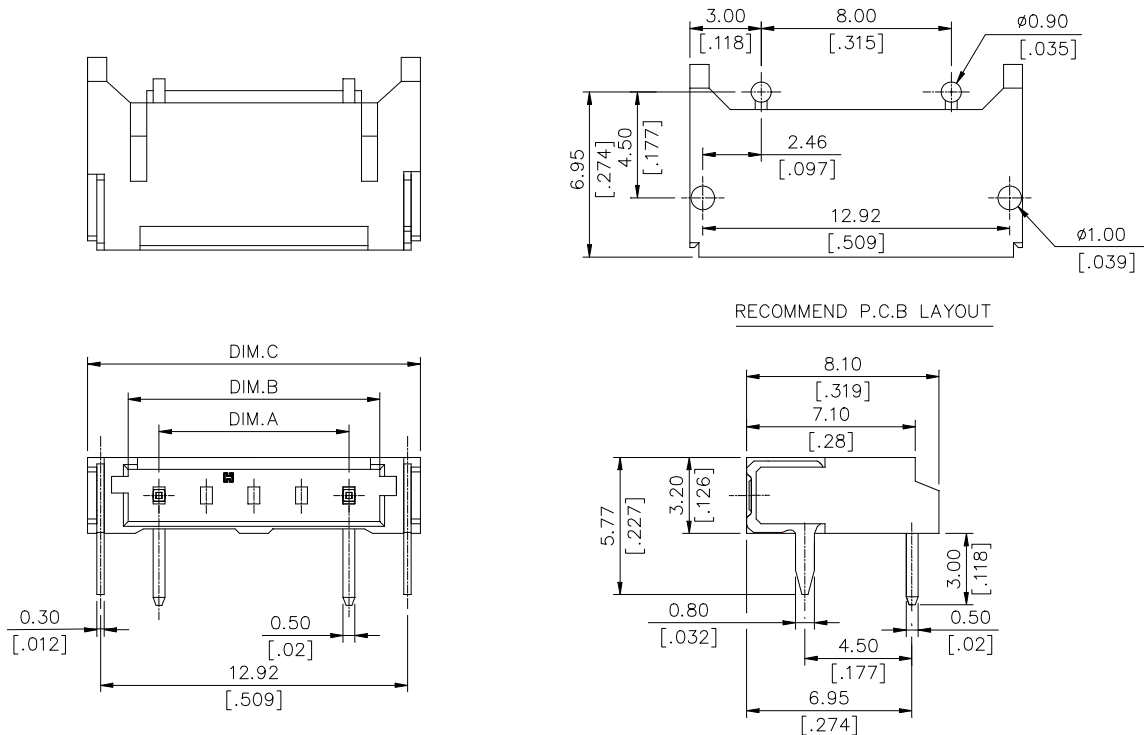
Voltage Rating: 200V
Current Rating: 1A Per Pin Min.
Dielectric Withstanding Voltage: 500 RMS
Insulation Resistance: 1000MW min.
Contact Resistance: 30 MW Max.

Physical

Housing: High Temperature, UL 94V-0 Rated In Black Color
Contact: Brass
Plating: See "ORDERING INFORMATION"
Operating Temperature: -40 to +105

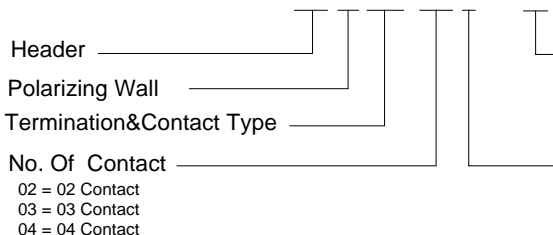


DRAWING



ORDERING INFORMATION

PRODUCT NO.: HD85***-***



Farrest Contact Pitch
A04 : DIM.A = 4 mm , DIM.B = 6.6 mm ,DIM.C = 10.0 mm
A08 : DIM.A = 8 mm , DIM.B = 10.60 mm ,DIM.C = 14.0 mm
A12 : DIM.A = 12 mm , DIM.B = 14.6 mm ,DIM.C = 18.0 mm

Contact Area Plating
0 = Tin / Lead
F = Gold Flish With Lead Free RoHS COMPLIANCE
V = 15u" Min Gold With Lead Free RoHS COMPLIANCE
E = Tin Plated With Lead Free RoHS COMPLIANCE
H = 30 u" Min Gold With Lead Free RoHS COMPLIANCE