

1

2

3

4

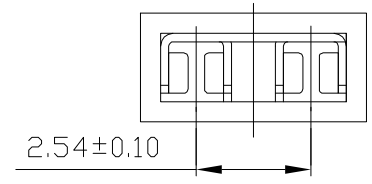
5

6

7

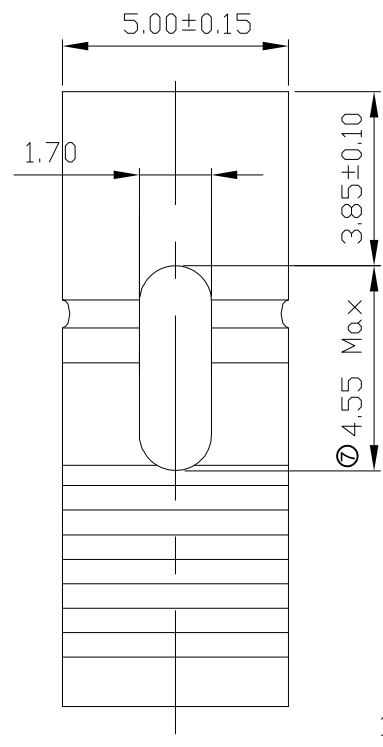
A

A



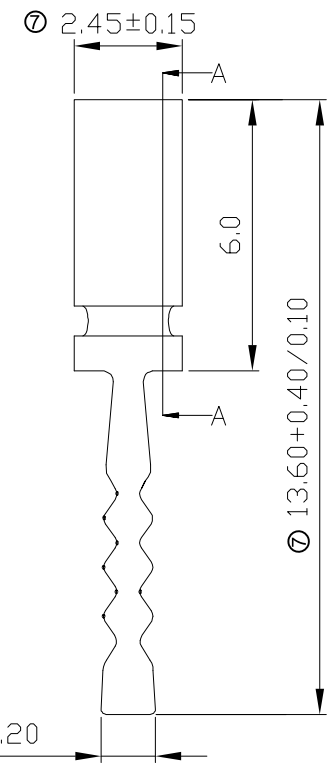
B

B



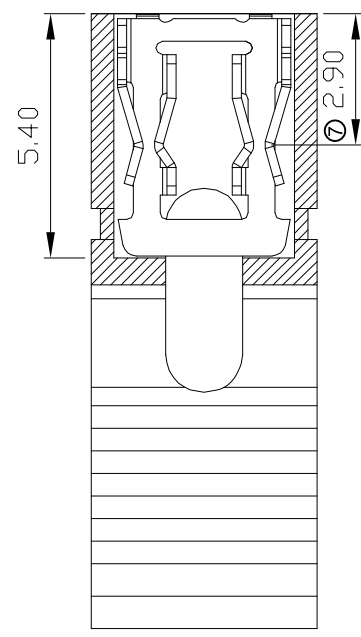
C

C



D

D



E

E

F

F

NOTES:

- 1. Insulation: Nylon 66, UL94V-0
- 2. Contact : Brass
- ⑥ 3. Plated: 0.5u" Gold Over min. 15u" Nickel
- 4. Current Rating: 3A Max
- 5. Dielectric Voltage: 1000V rms / 1 minute
- 6. Insulation Resistance: 1000M ohm Min.
- 7. Contact Resistance: 30m ohm Max.
- 8. Operating and Storage Temperature: -40°C ~ +105°C
- ③ 9. Mating Cycles: 10 Min.

⑤ AKSPLTx xx
 Color:
 RED
 BLACK
 Contact Area Plating:
 G: Gold Flash

G

G

H

H

RoHS compliant
 Unit:mm

Scale	Free	⑦	Change the plant	20.04.2022	Winnie		Date	Name	Customer-No.			
TOLERANCE		⑥	Update plated information	20.08.2015	Ray	Drawn	21.03.2007	Hellwig				
.X	±0.38	⑤	Add the order code: AKSPLTx RED	13.01.2014	Winnie	Approved	20.04.2022	Winnie	ASSMANN WSW-No. ④ AKSPLTx BLACK ⑤ AKSPLTx RED			
.XX	±0.25	④	Order code correction	07.01.2014	Winnie							
.XXX	±0.15	③	Update	07.06.2013	Winnie				Drawing-No.			
DIM	TOL	②	Update	27.07.2009	Rale						ASS 0327 CO	rev07
X.°	±1°	Id.	Modification	Date	Name						Replace	SHEET
Angle	TOL											
UNIT	mm											

1

2

3

4

5

6

7