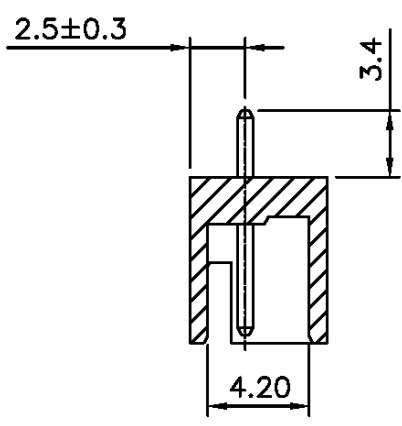
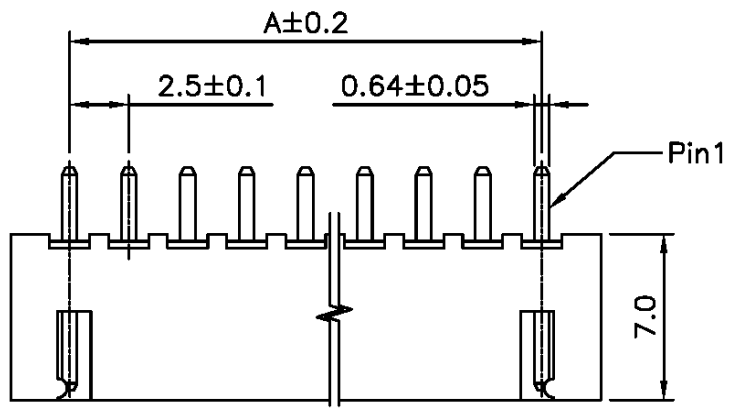


SPECIFICATIONS
 Voltage rating: 250VAC/DC
 Current rating: 3 amps AC/DC
 Contact material: Brass
 Contact plating: Tin
 Contact resist.: 20 milliohms max.
 Base material: Nylon 66, UL94V-0
 Insulation resist.: 1,000 megohms min.
 Withstanding: 1,000VAC for 1 min.
 Packaging: 1,000 pcs/bag

Dimensions (mm)		
Poles	A	B
2	2.50	7.50
3	5.00	10.00
4	7.50	12.50
5	10.00	15.00
6	12.50	17.50
7	15.00	20.00
8	17.50	22.50
9	20.00	25.00
10	22.50	27.50
11	25.00	30.00
12	27.50	32.50
13	30.00	35.00
14	32.50	37.50
15	35.00	40.00
16	37.50	42.50
17	40.00	45.00
18	42.50	47.50
19	45.00	50.00
20	47.50	52.50



RoHS compliant

Rev.	Description	Date	Approved	Drawing	Name	Date
				Approved	Howard	05/15/05
				Checked	Lizzy	05/15/05
				Drawn	Tina	05/15/05
				0.0 ± 0.35	0.00 ± 0.20	Angles ± 3'
				UNIT: mm		

Central Components Manufacturing
 440 Lincoln Blvd., Middlesex, New Jersey 08846
 Phone 732 469-5720 888 288-5152 Fax 732 469-1919

Part No.: **JS-1001-XX**

Description: Crimp style connector wafer, 2.50mm pitch