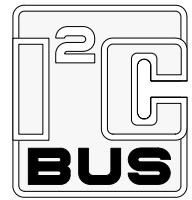


# DATA SHEET



## **PCA9557**

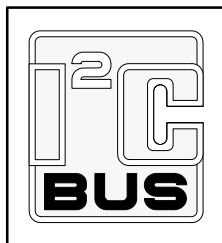
8-bit I<sup>2</sup>C and SMBus I/O port with reset

Product data  
Supersedes data of 2002 May 13

2002 Dec 13

8-bit I<sup>2</sup>C and SMBus I/O port with reset

## PCA9557



## FEATURES

- Lower voltage, higher performance migration path for the PCA9556
- 8 general purpose input/output expander/collector
- Input/output configuration register
- Active HIGH polarity inversion register
- I<sup>2</sup>C and SMBus interface logic
- Internal power-on reset
- Noise filter on SCL/SDA inputs
- Active LOW reset input
- 3 address pins allowing up to 8 devices on the I<sup>2</sup>C/SMBus
- High impedance open drain on I/O0
- No glitch on power-up
- Power-up with all channels configured as inputs

- Low standby current
- Operating power supply voltage range of 2.3 V to 5.5 V
- 5 V tolerant inputs/outputs
- 0 to 400 kHz clock frequency
- ESD protection exceeds 2000 V HBM per JESD22-A114, 200 V MM per JESD22-A115 and 1000 V CDM per JESD22-C101
- Latch-up testing is done to JESDEC Standard JESD78 which exceeds 100 mA
- Three packages offered: SO16, TSSOP16, HVQFN16

## DESCRIPTION

The PCA9557 is a silicon CMOS circuit which provides parallel input/output expansion for SMBus and I<sup>2</sup>C applications. The PCA9557 consists of an 8-bit input port register, 8-bit output port register, and an I<sup>2</sup>C/SMBus interface. It has low current consumption and a high impedance open drain output pin, I/O0.

The system master can enable the PCA9557's I/O as either input or output by writing to the configuration register.

The system master can also invert the PCA9557 inputs by writing to the active HIGH polarity inversion register.

Finally, the system master can reset the PCA9557 in the event of a timeout by asserting a LOW in the reset input.

The power-on reset puts the registers in their default state and initializes the I<sup>2</sup>C/SMBus state machine. The RESET pin causes the same reset/initialization to occur without depowering the part.

## ORDERING INFORMATION

PACKAGES	TEMPERATURE RANGE	ORDER CODE	DRAWING NUMBER
16-Pin Plastic SO (narrow)	-40 to +85 °C	PCA9557D	SOT109-1
16-Pin Plastic TSSOP	-40 to +85 °C	PCA9557PW	SOT403-1
16-Pin Plastic HVQFN	-40 to +85 °C	PCA9557BS	SOT629-1

Standard packing quantities and other packaging data are available at [www.philipslogic.com/packaging](http://www.philipslogic.com/packaging).

SMBus as specified by the Smart Battery System Implementers Forum is a derivative of the Philips I<sup>2</sup>C patent.

I<sup>2</sup>C is a trademark of Philips Semiconductors Corporation.

# 8-bit I<sup>2</sup>C and SMBus I/O port with reset

PCA9557

## PIN CONFIGURATION — SO, TSSOP

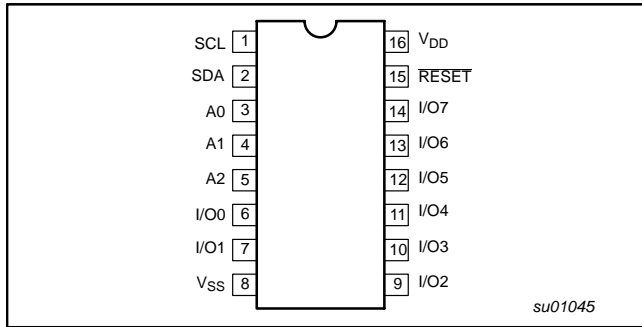


Figure 1. Pin configuration

## PIN CONFIGURATION — HVQFN

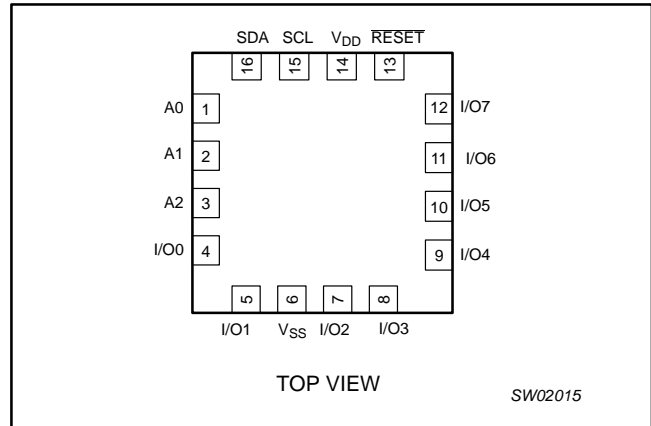


Figure 2. Pin Configuration — HVQFN

## PIN DESCRIPTION

SO, TSSOP PIN NUMBER	HVQFN PIN NUMBER	SYMBOL	FUNCTION
1	15	SCL	Serial clock line
2	16	SDA	Serial data line
3	1	A0	Address input 0
4	2	A1	Address input 1
5	3	A2	Address input 2
6	4	I/O0	I/O0 (open drain)
7	5	I/O1	I/O1
8	6	V <sub>SS</sub>	Supply ground
9-14	7-12	I/O2-I/O7	I/O2 to I/O7
15	13	RESET	Active low reset input
16	14	V <sub>DD</sub>	Supply voltage

# 8-bit I<sup>2</sup>C and SMBus I/O port with reset

# PCA9557

## BLOCK DIAGRAM

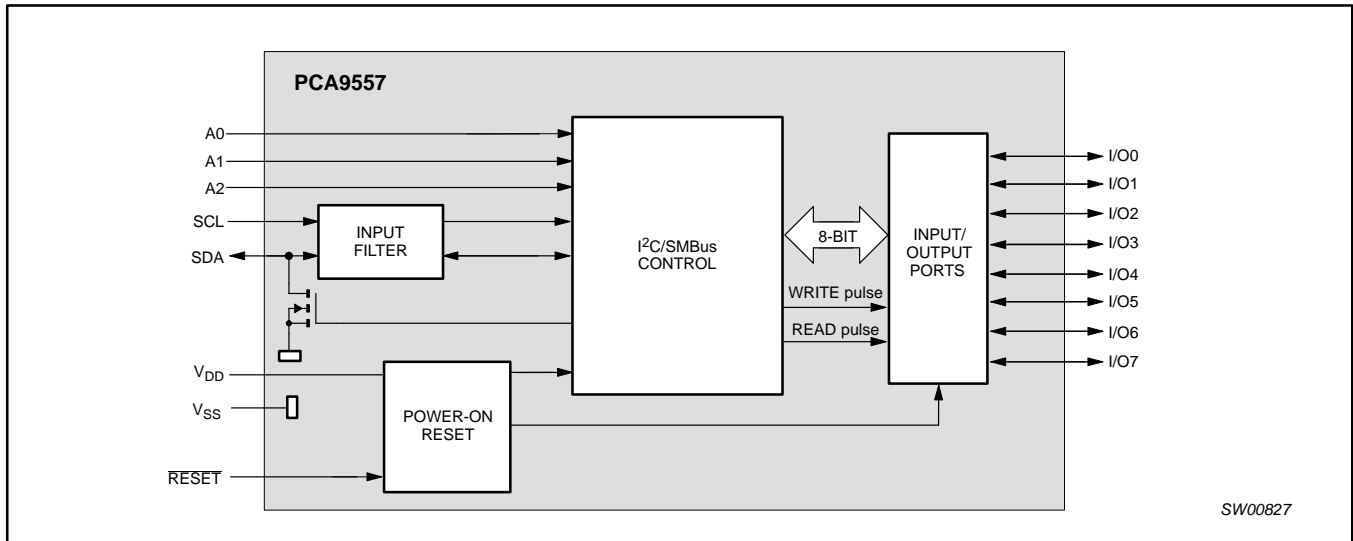


Figure 3. Block diagram

## SYSTEM DIAGRAM

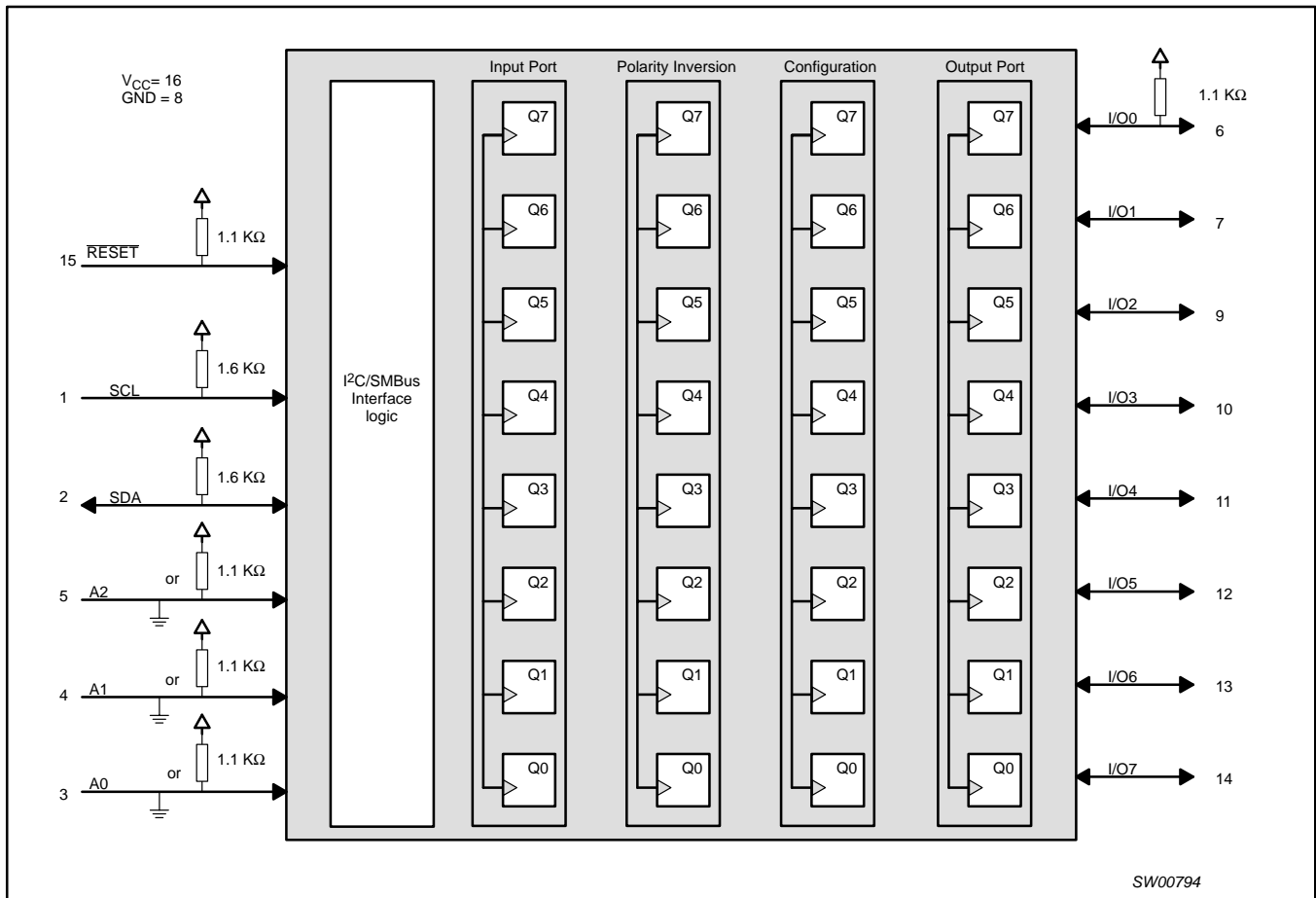
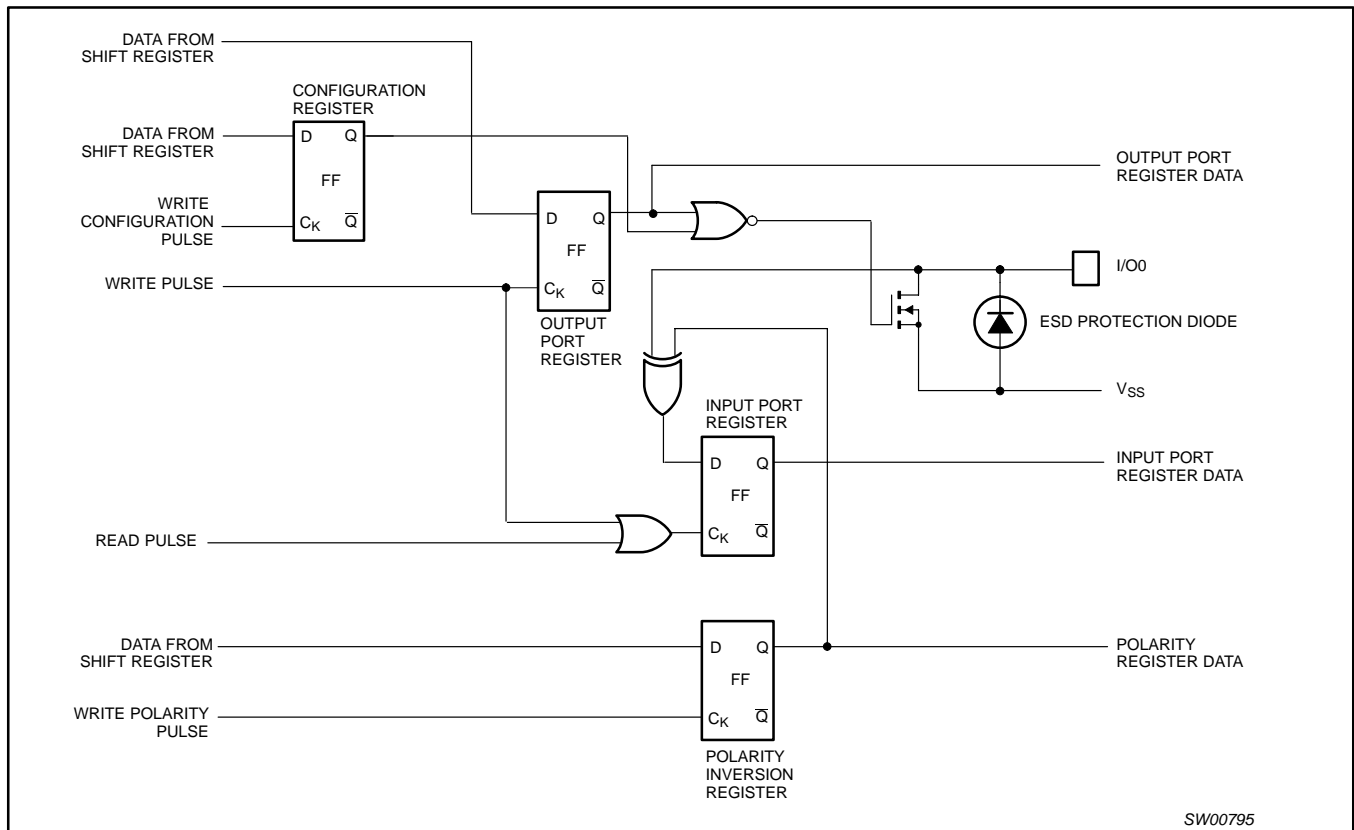


Figure 4. System diagram

# 8-bit I<sup>2</sup>C and SMBus I/O port with reset

PCA9557

## SIMPLIFIED SCHEMATIC OF I/O0



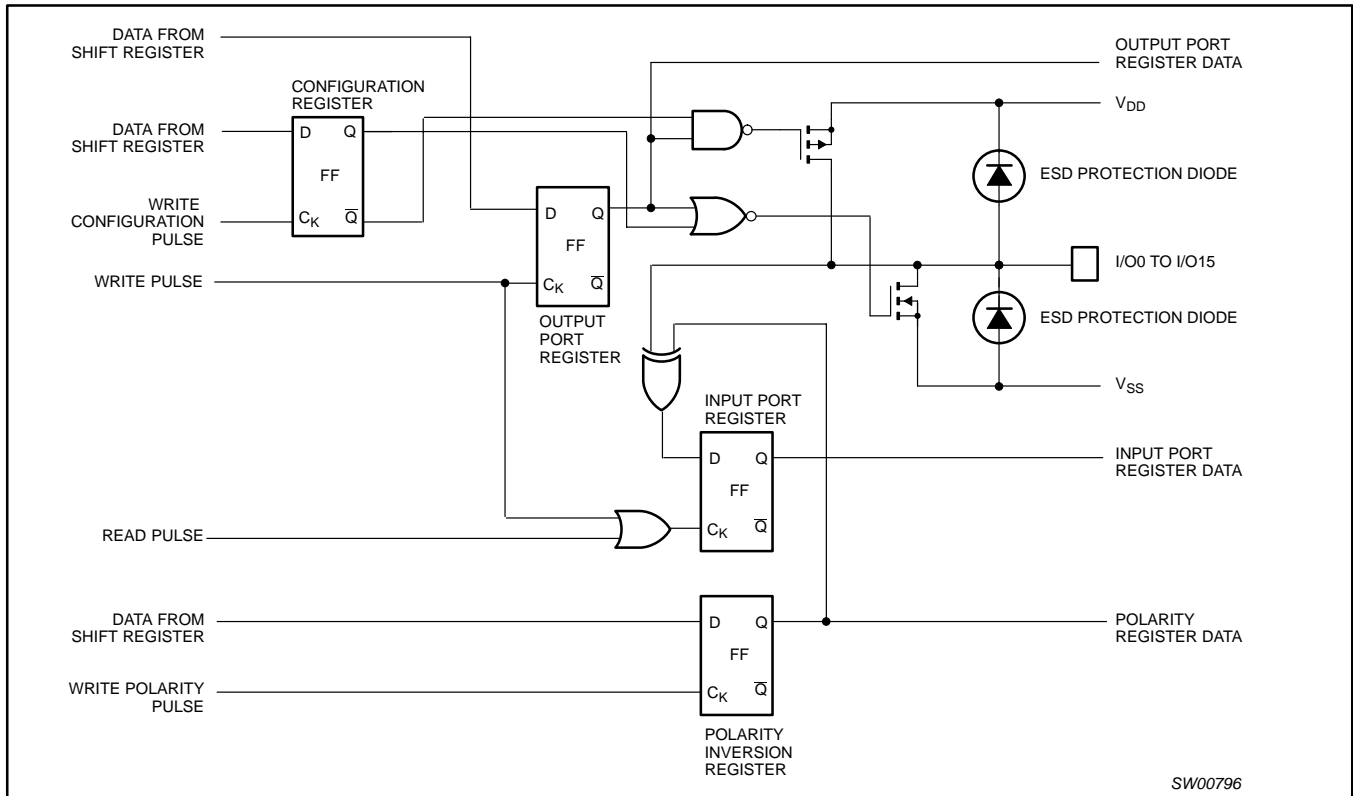
**NOTE:** On power-up or reset, all registers return to default values.

**Figure 5. Simplified schematic of I/O0**

# 8-bit I<sup>2</sup>C and SMBus I/O port with reset

PCA9557

## SIMPLIFIED SCHEMATIC OF I/O1 TO I/O7



**NOTE:** On power-up or reset, all registers return to default values.

**Figure 6. Simplified schematic of I/O1 to I/O7**

8-bit I<sup>2</sup>C and SMBus I/O port with reset

## PCA9557

**DEVICE ADDRESS**

Following a START condition the bus master must output the address of the slave it is accessing. The address of the PCA9557 is shown in Figure 7. To conserve power, no internal pullup resistors are incorporated on the hardware selectable address pins and they must be pulled HIGH or LOW.

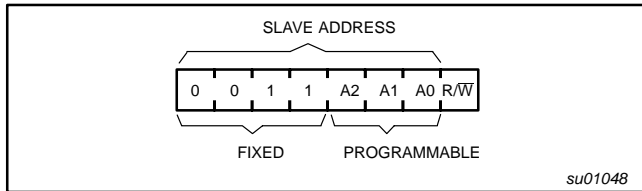


Figure 7. PCA9557 address

The last bit of the slave address defines the operation to be performed. When set to logic 1 a read is selected while a logic 0 selects a write operation.

**CONTROL REGISTER**

Following the successful acknowledgement of the slave address, the bus master will send a byte to the PCA9557, which will be stored in the control register. This register can be written and read via the I<sup>2</sup>C bus.

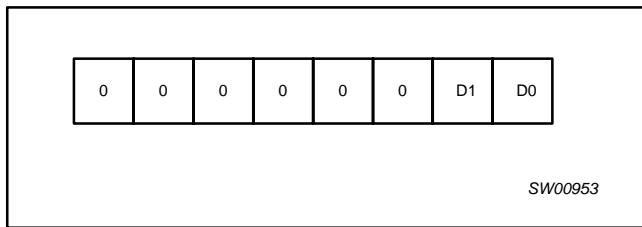


Figure 8. Control Register

**REGISTER DEFINITION**

D1	D0	NAME	TYPE	FUNCTION
0	0	Register 0	Read	Input port register
0	1	Register 1	Read/Write	Output port register
1	0	Register 2	Read/Write	Polarity inversion register
1	1	Register 3	Read/Write	Configuration register

**REGISTER DESCRIPTION****Register 0 - Input Port Register**

I7	I6	I5	I4	I3	I2	I1	I0
----	----	----	----	----	----	----	----

This register is a read-only port. It reflects the incoming logic levels of the pins, regardless of whether the pin is defined as an input or an output by the Configuration Register. Writes to this register have no effect.

**Register 1 — Output Port Register**

bit	O7	O6	O5	O4	O3	O2	O1	O0
default	0	0	0	0	0	0	0	0

This register reflects the outgoing logic levels of the pins defined as outputs by the Configuration Register. Bit values in this register have no effect on pins defined as inputs. In turn, reads from this register reflect the value that is in the flip-flop controlling the output selection, NOT the actual pin value.

**Register 2 — Polarity Inversion Register**

bit	N7	N6	N5	N4	N3	N2	N1	N0
default	1	1	1	1	0	0	0	0

This register enables polarity inversion of pins defined as inputs by the Configuration Register. If a bit in this register is set (written with '1'), the corresponding port pin's polarity is inverted. If a bit in this register is cleared (written with a '0'), the corresponding port pin's original polarity is retained.

**Register 3 — Configuration Register**

bit	C7	C6	C5	C4	C3	C2	C1	C0
default	1	1	1	1	1	1	1	1

This register configures the directions of the I/O pins. If a bit in this register is set, the corresponding port pin is enabled as an input with high impedance output driver. If a bit in this register is cleared, the corresponding port pin is enabled as an output.

**POWER-ON RESET**

When power is applied to  $V_{DD}$ , an internal power-on reset holds the PCA9557 in a reset state until  $V_{DD}$  has reached  $V_{POR}$ . At that point, the reset condition is released and the PCA9557 registers and I<sup>2</sup>C/SMBus state machine will initialize to their default states.

For a power reset cycle,  $V_{DD}$  must be set to 0 V, then ramped back to the operating voltage.

**RESET INPUT**

A reset can be accomplished by holding the RESET pin LOW for a minimum of  $t_{W}$ . The PCA9557 registers and SMBus/I<sup>2</sup>C state machine will be held in their default state until the RESET input is once again HIGH. This input typically requires a pull-up to  $V_{CC}$ .

# 8-bit I<sup>2</sup>C and SMBus I/O port with reset

# PCA9557

## CHARACTERISTICS OF THE I<sup>2</sup>C-BUS

The I<sup>2</sup>C-bus is for 2-way, 2-line communication between different ICs or modules. The two lines are a serial data line (SDA) and a serial clock line (SCL). Both lines must be connected to a positive supply via a pull-up resistor when connected to the output stages of a device. Data transfer may be initiated only when the bus is not busy.

### Bit transfer

One data bit is transferred during each clock pulse. The data on the SDA line must remain stable during the HIGH period of the clock pulse as changes in the data line at this time will be interpreted as control signals (see Figure 9).

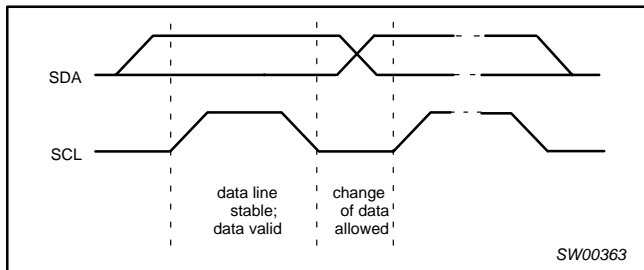


Figure 9. Bit transfer

## Start and stop conditions

Both data and clock lines remain HIGH when the bus is not busy. A HIGH-to-LOW transition of the data line, while the clock is HIGH is defined as the start condition (S). A LOW-to-HIGH transition of the data line while the clock is HIGH is defined as the stop condition (P) (see Figure 10).

## System configuration

A device generating a message is a 'transmitter', a device receiving is the 'receiver'. The device that controls the message is the 'master' and the devices which are controlled by the master are the 'slaves' (see Figure 11).

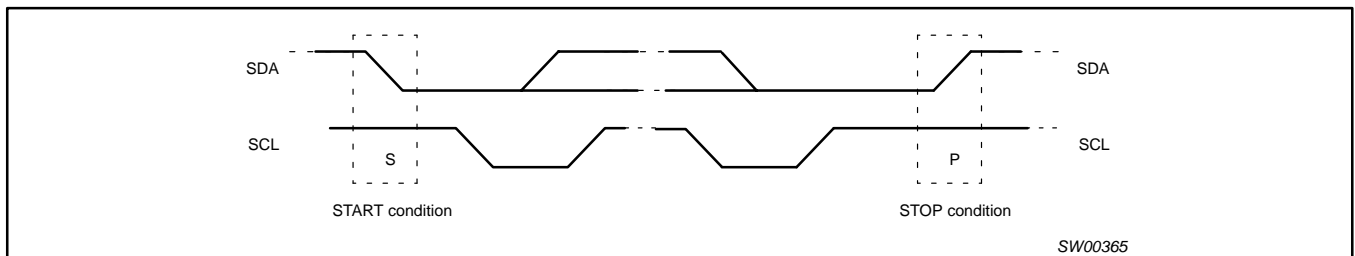


Figure 10. Definition of start and stop conditions

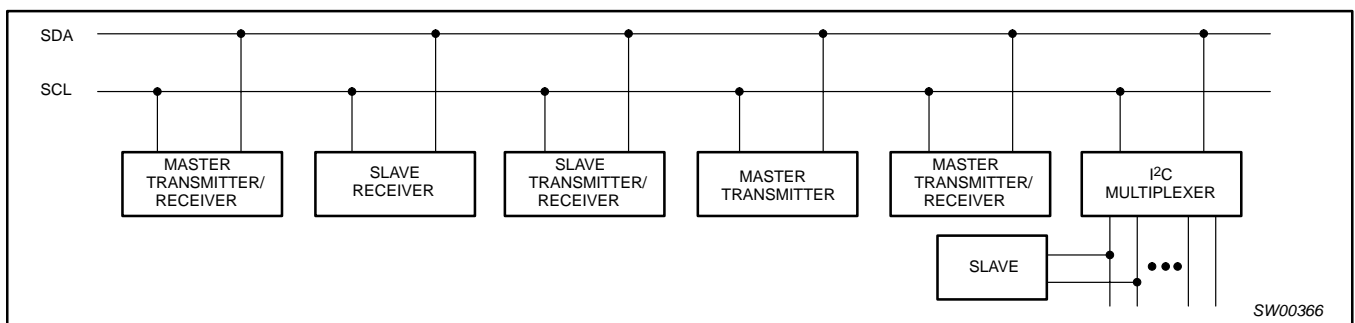


Figure 11. System configuration



# 8-bit I<sup>2</sup>C and SMBus I/O port with reset

# PCA9557

## Acknowledge

The number of data bytes transferred between the start and the stop conditions from transmitter to receiver is not limited. Each byte of eight bits is followed by one acknowledge bit. The acknowledge bit is a HIGH level put on the bus by the transmitter whereas the master generates an extra acknowledge related clock pulse.

A slave receiver which is addressed must generate an acknowledge after the reception of each byte. Also a master must generate an acknowledge after the reception of each byte that has been clocked out of the slave transmitter. The device that acknowledges has to pull down the SDA line during the acknowledge clock pulse, so that the SDA line is stable LOW during the HIGH period of the acknowledge related clock pulse, set-up and hold times must be taken into account.

A master receiver must signal an end of data to the transmitter by not generating an acknowledge on the last byte that has been clocked out of the slave. In this event, the transmitter must leave the data line HIGH to enable the master to generate a stop condition.

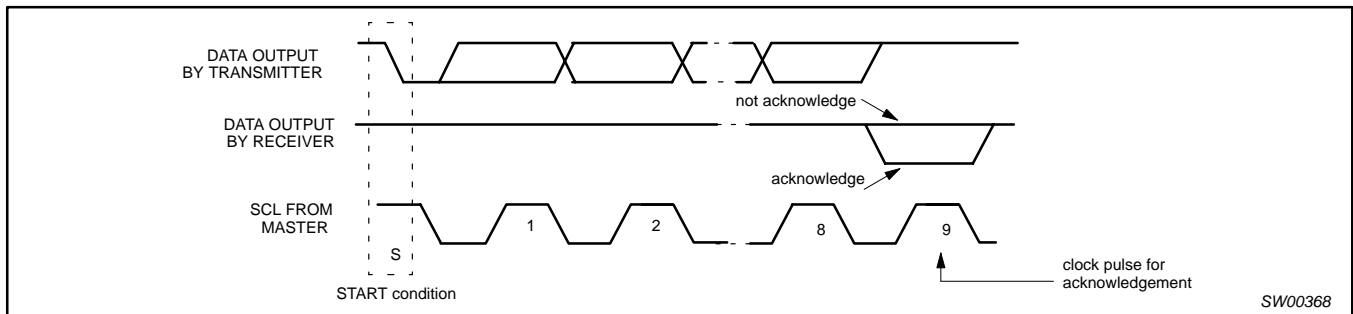


Figure 12. Acknowledgement on the I<sup>2</sup>C-bus

# 8-bit I<sup>2</sup>C and SMBus I/O port with reset

# PCA9557

## Bus Transactions

Data is transmitted to the PCA9557 registers using Write Byte transfers (see Figures 13 and 14). Data is read from the PCA9557 registers using Read and Receive Byte transfers (see Figures 15 and 16).

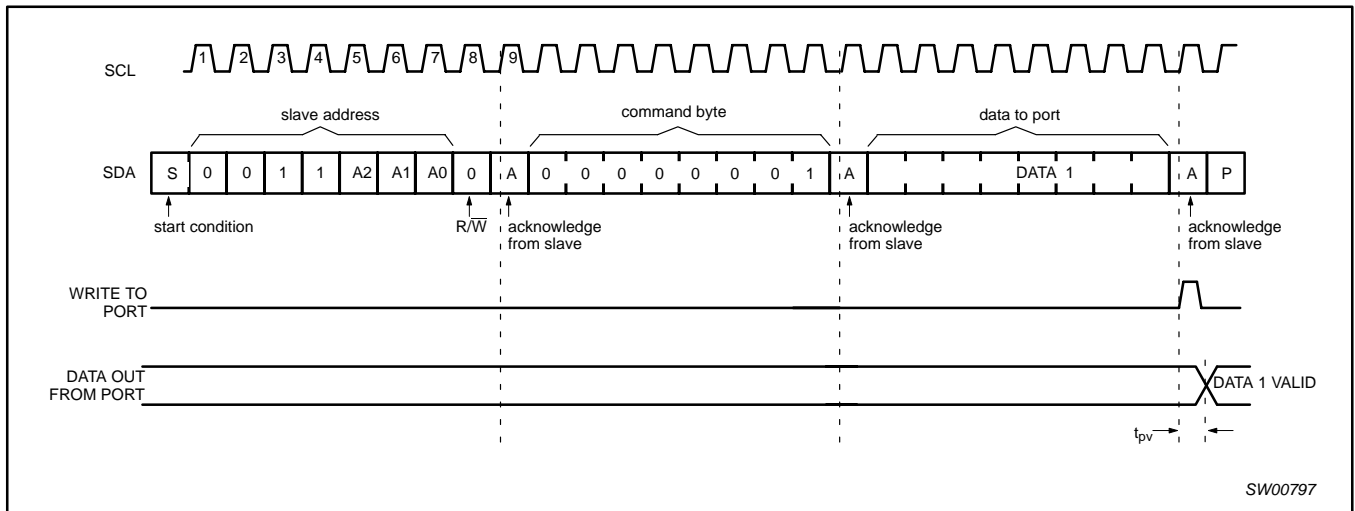


Figure 13. WRITE to output port register

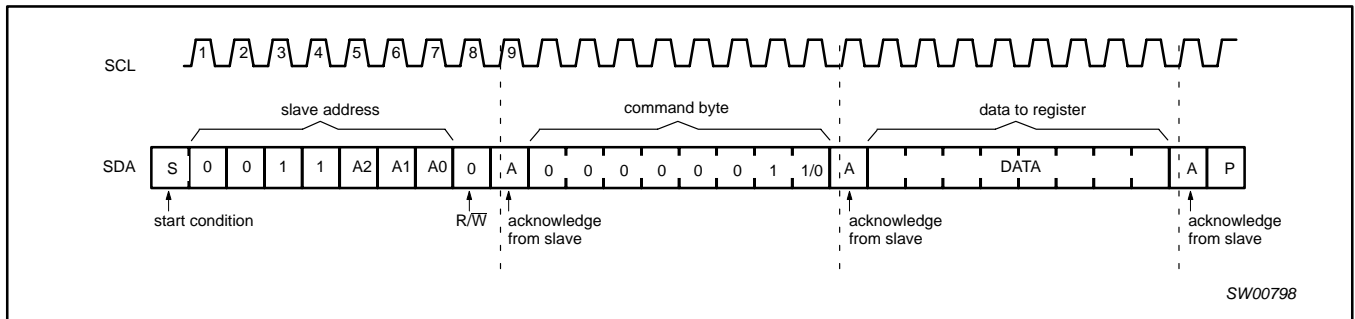


Figure 14. WRITE to I/O configuration or polarity inversion registers

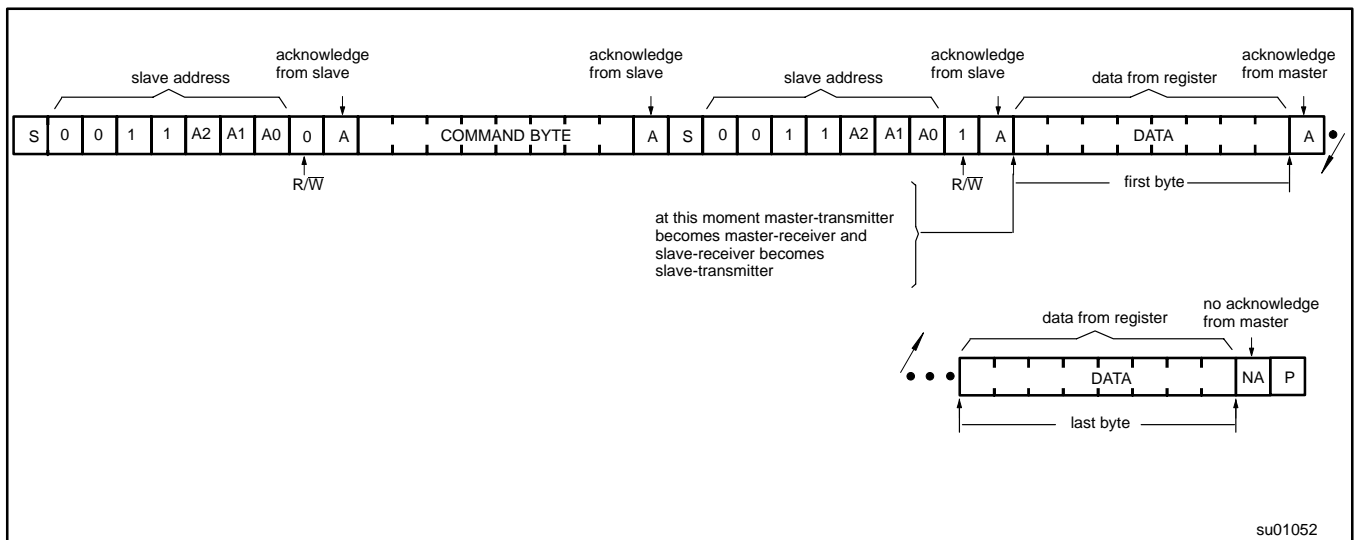
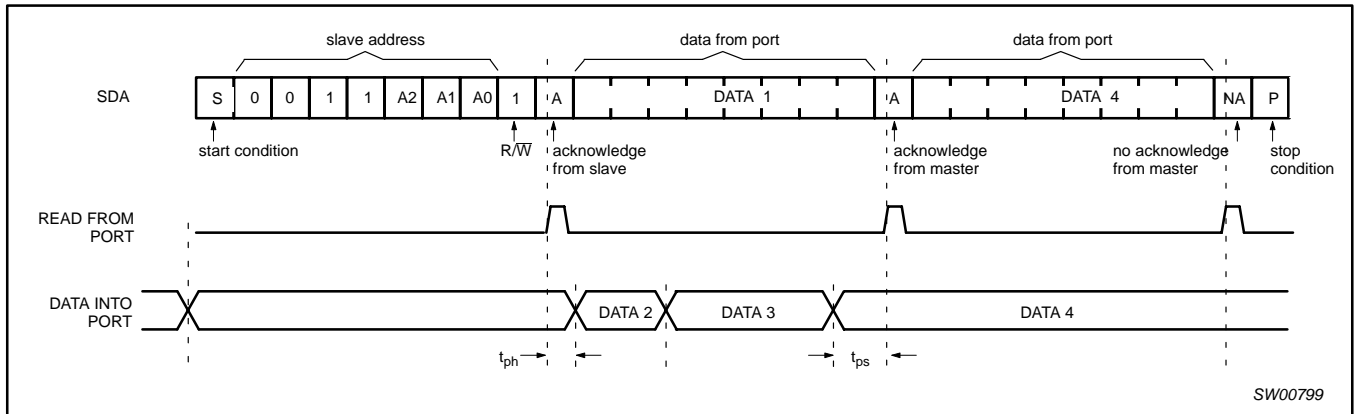


Figure 15. READ from register

# 8-bit I<sup>2</sup>C and SMBus I/O port with reset

# PCA9557



SW00799

**NOTES:**

1. This figure assumes the command byte has previously been programmed with 00h.
2. Transfer of data can be stopped at any moment by a stop condition. When this occurs, data present at the last acknowledge phase is valid (output mode). Input data is lost.

**Figure 16. READ input port register**

# 8-bit I<sup>2</sup>C and SMBus I/O port with reset

# PCA9557

## TYPICAL APPLICATION

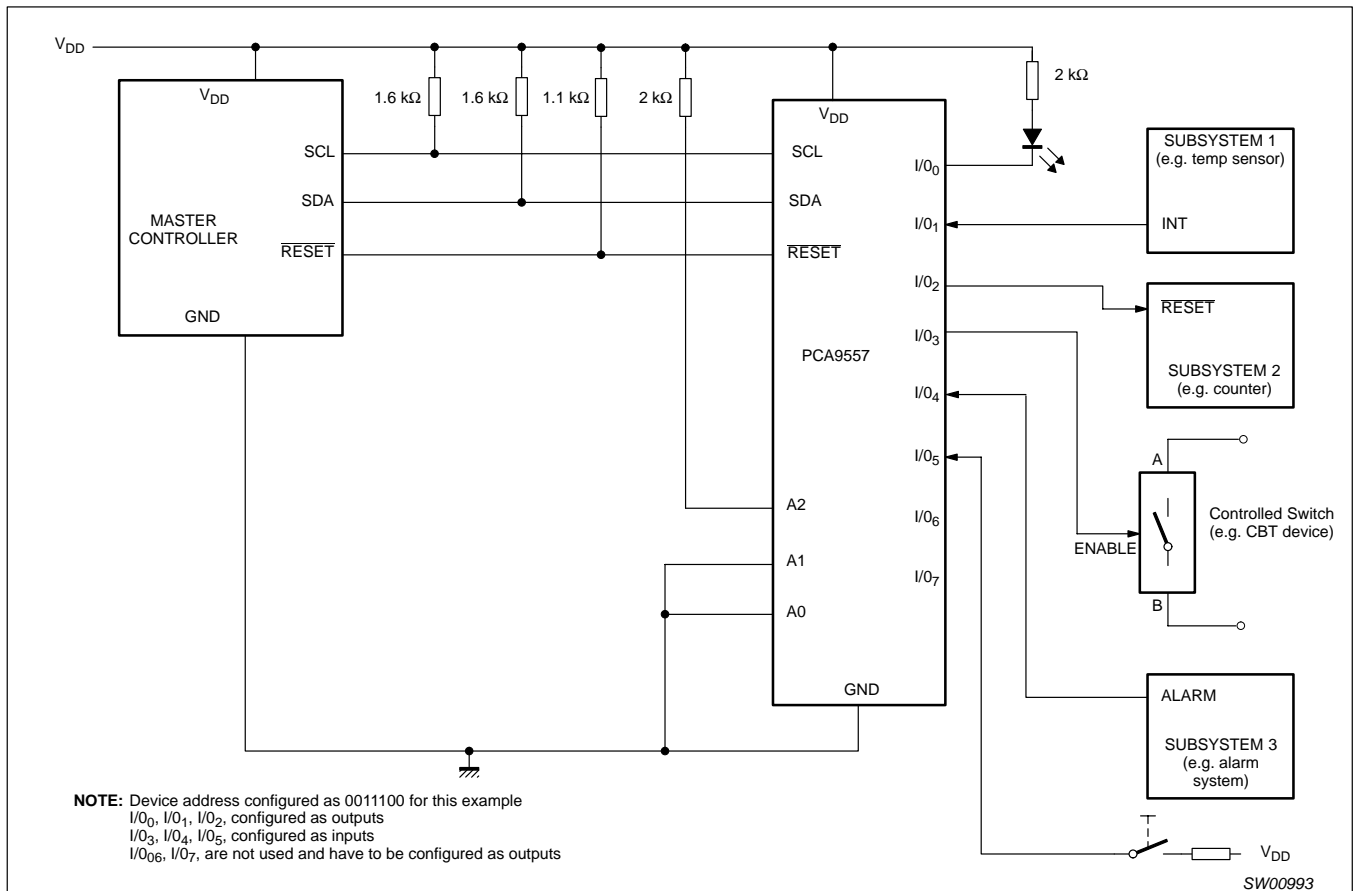


Figure 17. Typical application

### Minimizing I<sub>DD</sub> when the I/O is used to control LEDs

When the I/Os are used to control LEDs, they are normally connected to V<sub>DD</sub> through a resistor as shown in Figure 17. Since the LED acts as a diode, when the LED is off the I/O V<sub>IN</sub> is about 1.2 V less than V<sub>DD</sub>. The supply current, I<sub>DD</sub>, increases as V<sub>IN</sub> becomes lower than V<sub>DD</sub> and is specified as ΔI<sub>DD</sub> in the DC characteristics table.

Designs needing to minimize current consumption, such as battery power applications, should consider maintaining the I/O pins greater than or equal to V<sub>DD</sub> when the LED is off. Figure 18 shows a high value resistor in parallel with the LED. Figure 19 shows V<sub>DD</sub> less than the LED supply voltage by at least 1.2 V. Both of these methods maintain the I/O V<sub>IN</sub> at or above V<sub>DD</sub> and prevents additional supply current consumption when the LED is off.

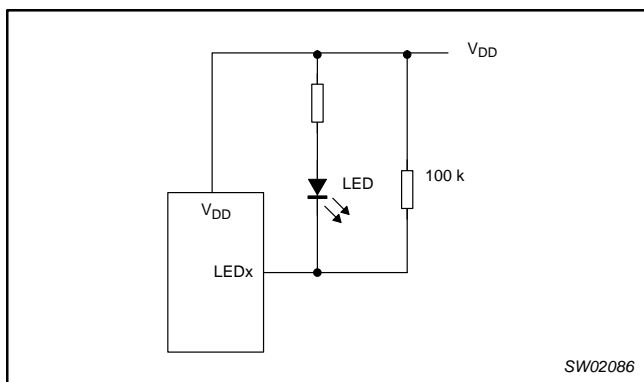


Figure 18. High value resistor in parallel with the LED

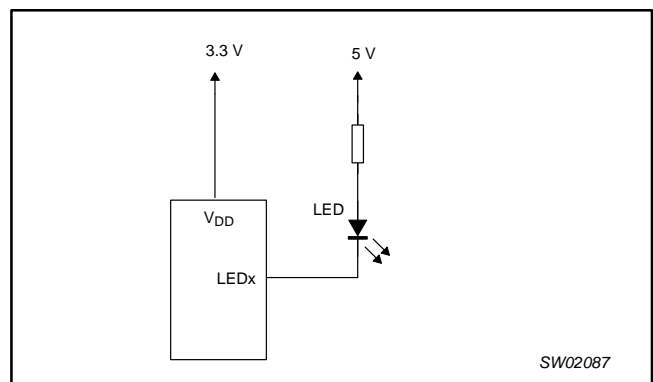


Figure 19. Device supplied by a lower voltage

8-bit I<sup>2</sup>C and SMBus I/O port with reset

PCA9557

**ABSOLUTE MAXIMUM RATINGS**

In accordance with the Absolute Maximum Rating System (IEC 134).

SYMBOL	PARAMETER	CONDITIONS	MIN	MAX	UNIT
V <sub>DD</sub>	DC supply voltage		-0.5	+6	V
V <sub>I</sub>	DC input voltage		V <sub>SS</sub> - 0.5	5.5	V
I <sub>I</sub>	DC input current		—	± 20	mA
I <sub>IHL(max)</sub>	Maximum allowed input current through protection diode (I/O1 - I/O7)	V <sub>I</sub> ≥ V <sub>DD</sub> or V <sub>I</sub> ≤ V <sub>SS</sub>	—	±400	μA
V <sub>I/O</sub>	DC voltage on an I/O as an input other than I/O0		V <sub>SS</sub> - 0.5	5.5	V
V <sub>I/O0</sub>	DC voltage on I/O0 as an input		V <sub>SS</sub> - 0.5	5.5	V
I <sub>I/O0</sub>	DC input current on I/O0		—	+400	μA
			—	-20	mA
I <sub>I/O</sub>	DC output current on an I/O		—	± 50	mA
I <sub>DD</sub>	DC supply current		—	85	mA
I <sub>SS</sub>	DC supply current		—	100	mA
P <sub>tot</sub>	Total power dissipation		—	200	mW
T <sub>stg</sub>	Storage temperature range		-65	+150	°C
T <sub>amb</sub>	Operating ambient temperature		-40	+85	°C

**HANDLING**

Inputs and outputs are protected against electrostatic discharge in normal handling. However, to be totally safe, it is desirable to take precautions appropriate to handling MOS devices. Advice can be found in Data Handbook IC24 under "Handling MOS devices".

8-bit I<sup>2</sup>C and SMBus I/O port with reset

PCA9557

**DC CHARACTERISTICS** $V_{DD} = 2.3$  to  $5.5$  V;  $V_{SS} = 0$  V;  $T_{amb} = -40$  to  $+85$  °C; unless otherwise specified.

SYMBOL	PARAMETER	CONDITIONS	LIMITS			UNIT
			MIN	TYP	MAX	
<b>Supplies</b>						
$V_{DD}$	Supply voltage		2.3	—	5.5	V
$I_{DD}$	Supply current	Operating mode; $V_{DD} = 5.5$ V; no load; $f_{SCL} = 100$ kHz	—	19	25	$\mu$ A
$I_{stbl}$	Standby current	Standby mode; $V_{DD} = 5.5$ V; no load $V_I = V_{SS}$ ; $f_{SCL} = 0$ kHz; I/O = inputs	—	0.25	1	$\mu$ A
$I_{stbh}$	Standby current	Standby mode; $V_{DD} = 5.5$ V; no load $V_I = V_{DD}$ ; $f_{SCL} = 0$ kHz; I/O = inputs	—	0.25	1	$\mu$ A
$\Delta I_{DD}$	Additional standby current	Standby mode; $V_{DD} = 5.5$ V; Every LED I/O at $V_{IN} = 4.3$ V; $f_{SCL} = 0$ kHz	—	—	—	$\mu$ A
$V_{POR}$	Power-on reset voltage	No load; $V_I = V_{DD}$ or $V_{SS}$	—	1.65	2.1	V
<b>Input SCL; input/output SDA</b>						
$V_{IL}$	LOW level input voltage		-0.5	—	$0.3 V_{DD}$	V
$V_{IH}$	HIGH level input voltage		$0.7 V_{DD}$	—	5.5	V
$I_{OL}$	LOW level output current	$V_{OL} = 0.4$ V	3	—	—	mA
$I_L$	Leakage current	$V_I = V_{DD}$ or $V_{SS}$	-1	—	+1	$\mu$ A
$C_I$	Input capacitance	$V_I = V_{SS}$	—	6	10	pF
<b>I/Os</b>						
$V_{IL}$	LOW level input voltage		-0.5	—	0.8	V
$V_{IH}$	HIGH level input voltage		2.0	—	5.5	V
$I_{OL}$	LOW level output current	$V_{OL} = 0.55$ V; note 1	8	10	—	mA
$I_{OH}$	HIGH level output current except I/O0	$V_{OH} = 2.4$ V; note 2	4	—	—	mA
	HIGH level output current on I/O0	$V_{OH} = 4.6$ V	—	—	1	$\mu$ A
		$V_{OH} = 3.3$ V	—	—	1	
$I_L$	Input leakage current	$V_{DD} = 5.5$ V, $V_I = V_{SS}$	—	—	-100	$\mu$ A
$C_I$	Input capacitance		—	3.7	5	pF
$C_O$	Output capacitance		—	3.7	5	pF
<b>Select Inputs A0, A1, A2, and RESET</b>						
$V_{IL}$	LOW level input voltage		-0.5	—	0.8	V
$V_{IH}$	HIGH level input voltage		2.0	—	5.5	V
$I_{LI}$	Input leakage current		-1	—	1	$\mu$ A

**NOTES:**

1. The total amount sunk by all I/Os must be limited to 100 mA and 25 mA per bit.
2. The total current sourced by all I/Os must be limited to 85 mA and 20 mA per bit.

# 8-bit I<sup>2</sup>C and SMBus I/O port with reset

# PCA9557

## AC SPECIFICATIONS

SYMBOL	PARAMETER	STANDARD MODE I <sup>2</sup> C BUS		FAST MODE I <sup>2</sup> C BUS		UNITS
		MIN	MAX	MIN	MAX	
f <sub>SCL</sub>	Operating frequency	0	100	0	400	kHz
t <sub>BUF</sub>	Bus free time between STOP and START conditions	4.7	—	1.3	—	μs
t <sub>HD;STA</sub>	Hold time after (repeated) START condition	4.0	—	0.6	—	μs
t <sub>SU;STA</sub>	Repeated START condition setup time	4.7	—	0.6	—	μs
t <sub>SU;STO</sub>	Setup time for STOP condition	4.0	—	0.6	—	μs
t <sub>HD;DAT</sub>	Data in hold time	0	—	0	—	ns
t <sub>VD;ACK</sub>	Valid time for ACK condition <sup>2</sup>	—	1	—	0.9	μs
t <sub>VD;DAT</sub>	Data out valid time <sup>3</sup>	—	1	—	0.9	μs
t <sub>SU;DAT</sub>	Data setup time	250	—	100	—	ns
t <sub>LOW</sub>	Clock LOW period	4.7	—	1.3	—	μs
t <sub>HIGH</sub>	Clock HIGH period	4.0	—	0.6	—	μs
t <sub>F</sub>	Clock/Data fall time	—	300	20 + 0.1 C <sub>b</sub> <sup>1</sup>	300	ns
t <sub>R</sub>	Clock/Data rise time	—	1000	20 + 0.1 C <sub>b</sub> <sup>1</sup>	300	ns
t <sub>SP</sub>	Pulse width of spikes that must be suppressed by the input filters	—	50	—	50	ns
<b>Port Timing</b>						
t <sub>PV</sub>	Output data valid I/O0	—	250	—	250	ns
t <sub>PV</sub>	Output data valid I/O1 - I/O7	—	200	—	200	ns
t <sub>PS</sub>	Input data setup time	0	—	0	—	ns
t <sub>PH</sub>	Input data hold time	200	—	200	—	ns
<b>Reset</b>						
t <sub>W</sub>	Reset pulse width	4	—	4	—	ns
t <sub>REC</sub>	Reset recovery time	0	—	0	—	ns
t <sub>RESET</sub>	Time to reset	400	—	400	—	ns

**NOTES:**

1. C<sub>b</sub> = total capacitance of one bus line in pF.
2. t<sub>VD;ACK</sub> = time for Acknowledgement signal from SCL low to SDA (out) low.
3. t<sub>VD;DAT</sub> = minimum time for SDA data out to be valid following SCL low.

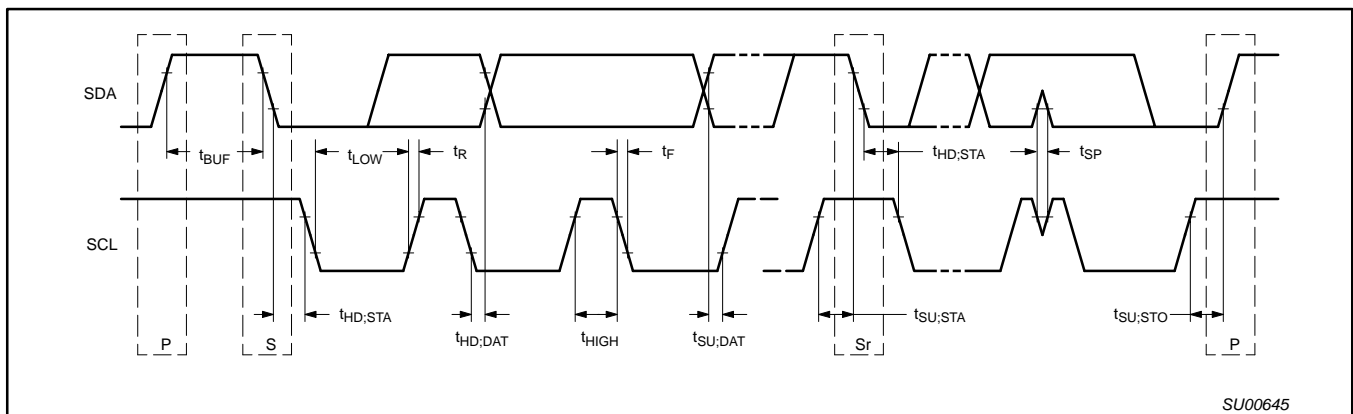


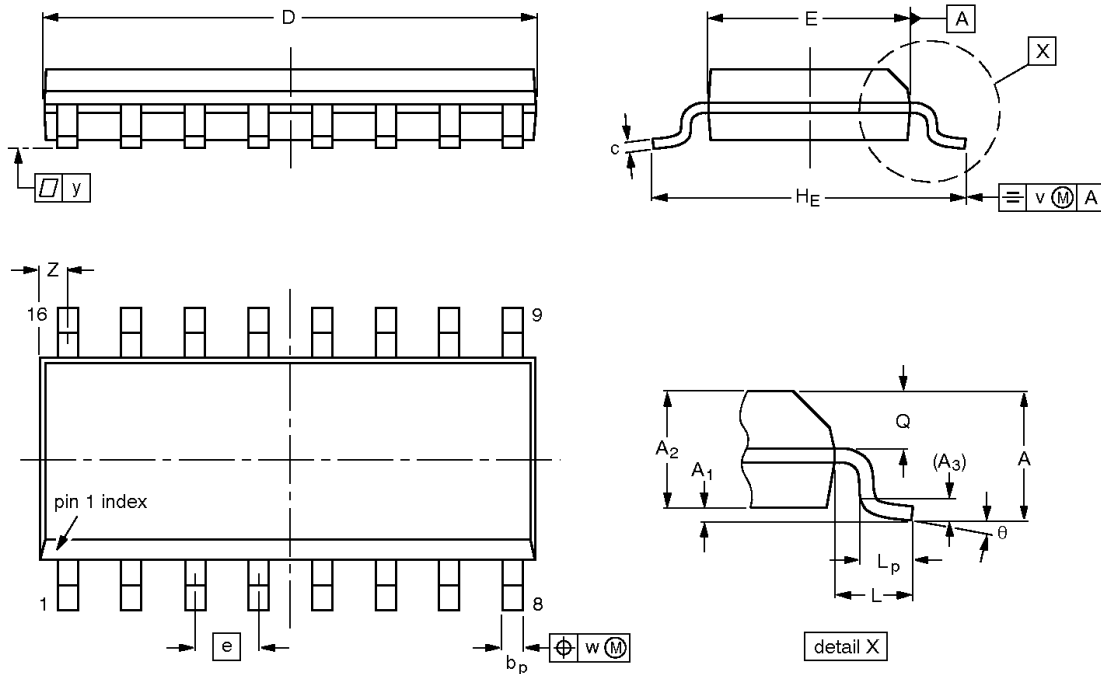
Figure 20. Definition of timing on the I<sup>2</sup>C-bus

# 8-bit I<sup>2</sup>C and SMBus I/O port with reset

PCA9557

**SO16: plastic small outline package; 16 leads; body width 3.9 mm**

**SOT109-1**



**DIMENSIONS (inch dimensions are derived from the original mm dimensions)**

UNIT	A max.	A <sub>1</sub>	A <sub>2</sub>	A <sub>3</sub>	b <sub>p</sub>	c	D <sup>(1)</sup>	E <sup>(1)</sup>	e	H <sub>E</sub>	L	L <sub>p</sub>	Q	v	w	y	Z <sup>(1)</sup>	θ
mm	1.75	0.25 0.10	1.45 1.25	0.25	0.49 0.36	0.25 0.19	10.0 9.8	4.0 3.8	1.27	6.2 5.8	1.05	1.0 0.4	0.7 0.6	0.25	0.25	0.1	0.7 0.3	8° 0°
inches	0.069	0.010 0.004	0.057 0.049	0.01	0.019 0.014	0.0100 0.0075	0.39 0.38	0.16 0.15	0.050	0.244 0.228	0.041	0.039 0.016	0.028 0.020	0.01	0.01	0.004	0.028 0.012	

**Note**

1. Plastic or metal protrusions of 0.15 mm maximum per side are not included.

OUTLINE VERSION	REFERENCES				EUROPEAN PROJECTION	ISSUE DATE
	IEC	JEDEC	EIAJ			
SOT109-1	076E07	MS-012				<del>97-05-22</del> 99-12-27

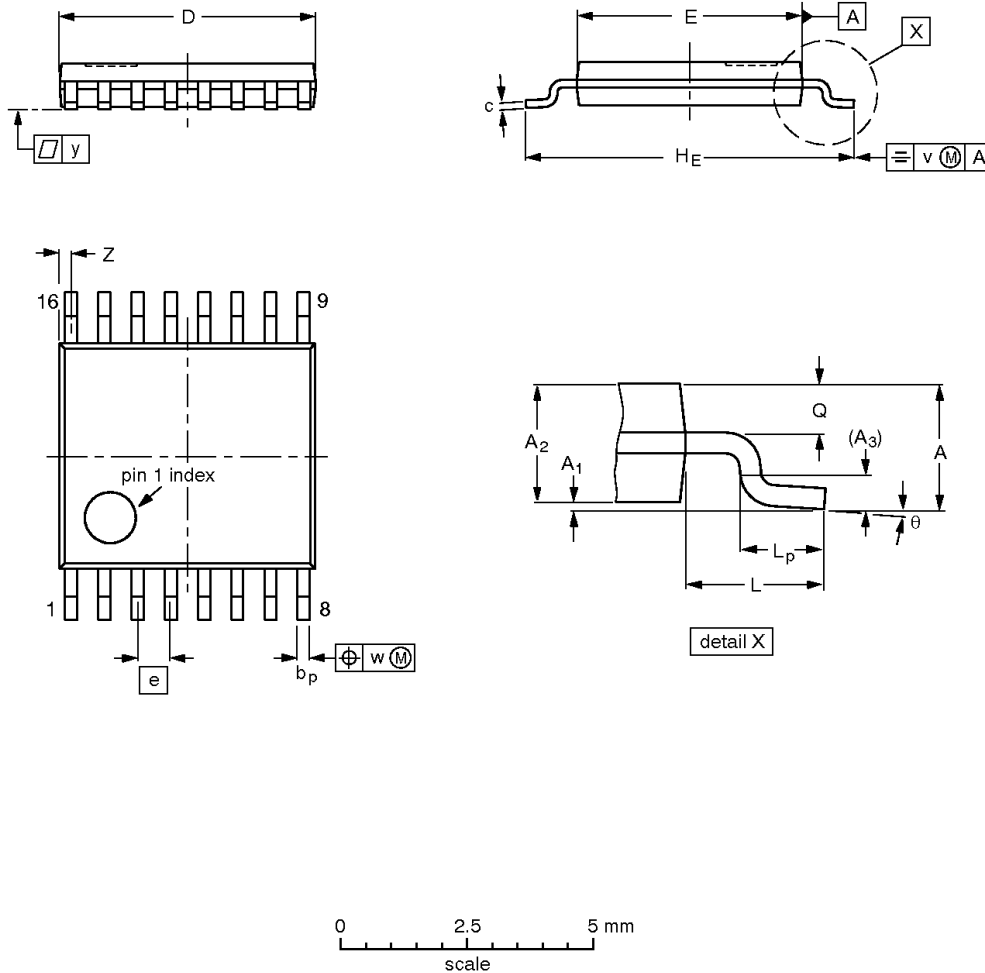


# 8-bit I<sup>2</sup>C and SMBus I/O port with reset

PCA9557

**TSSOP16:** plastic thin shrink small outline package; 16 leads; body width 4.4 mm

**SOT403-1**



**DIMENSIONS (mm are the original dimensions)**

UNIT	A max.	A <sub>1</sub>	A <sub>2</sub>	A <sub>3</sub>	b <sub>p</sub>	c	D <sup>(1)</sup>	E <sup>(2)</sup>	e	H <sub>E</sub>	L	L <sub>p</sub>	Q	v	w	y	Z <sup>(1)</sup>	θ
mm	1.10	0.15 0.05	0.95 0.80	0.25	0.30 0.19	0.2 0.1	5.1 4.9	4.5 4.3	0.65	6.6 6.2	1.0	0.75 0.50	0.4 0.3	0.2	0.13	0.1	0.40 0.06	8° 0°

**Notes**

1. Plastic or metal protrusions of 0.15 mm maximum per side are not included.
2. Plastic interlead protrusions of 0.25 mm maximum per side are not included.

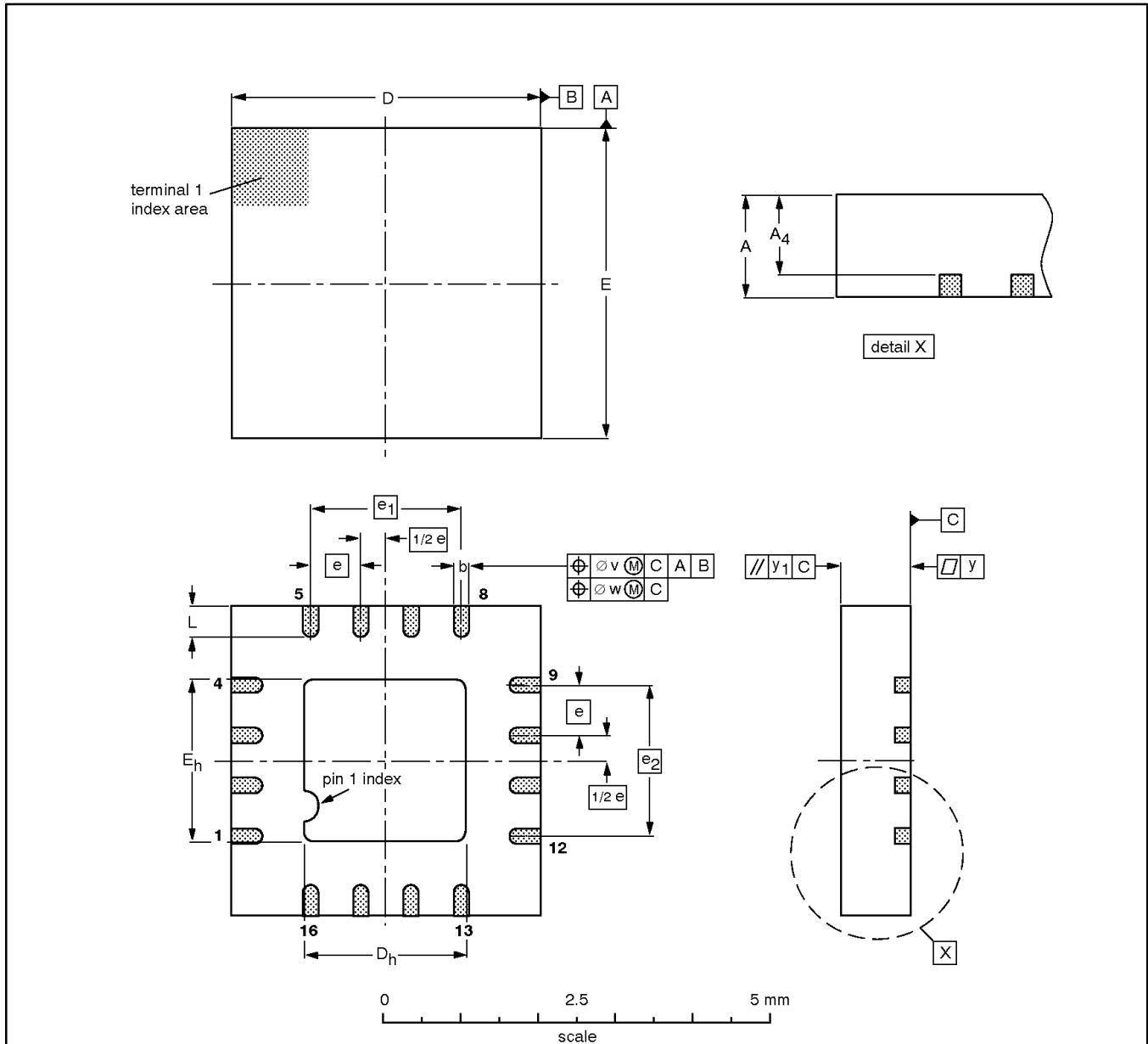
OUTLINE VERSION	REFERENCES				EUROPEAN PROJECTION	ISSUE DATE
	IEC	JEDEC	EIAJ			
SOT403-1		MO-153				95-04-04 99-12-27

# 8-bit I<sup>2</sup>C and SMBus I/O port with reset

PCA9557

**HVQFN16:** plastic heatsink very thin quad flat package; no leads; 16 terminals;  
body 4 x 4 x 0.85 mm

**SOT629-1**



**DIMENSIONS (mm are the original dimensions)**

UNIT	A max.	A <sub>4</sub> max.	b	D <sup>(1)</sup>	D <sub>h</sub>	E <sup>(1)</sup>	E <sub>h</sub>	e	e <sub>1</sub>	e <sub>2</sub>	L	v	w	y	y <sub>1</sub>
mm	1.00	0.80	0.40 0.23	4.05 3.95	2.25 1.95	4.05 3.95	2.25 1.95	0.65	1.95	1.95	0.75 0.50	0.2	0.1	0.05	0.1

**Note**

1. Plastic or metal protrusions of 0.076 mm maximum per side are not included.

OUTLINE VERSION	REFERENCES				EUROPEAN PROJECTION	ISSUE DATE
	IEC	JEDEC	EIAJ			
SOT629-1		MO-220				<del>01-06-28</del> 01-08-08

---

**8-bit I<sup>2</sup>C and SMBus I/O port with reset****PCA9557**

---

**REVISION HISTORY**

<b>Rev</b>	<b>Date</b>	<b>Description</b>
_3	20021213	Product data (9397 750 10872); ECN 853-2308 29160 of 06 November 2002. Modifications: <ul style="list-style-type: none"><li>• New package release.</li></ul>
_2	20020513	Product data (9397 750 09819); ECN 853-2308 28188 of 13 May 2002.

8-bit I<sup>2</sup>C and SMBus I/O port with reset

PCA9557



Purchase of Philips I<sup>2</sup>C components conveys a license under the Philips' I<sup>2</sup>C patent to use the components in the I<sup>2</sup>C system provided the system conforms to the I<sup>2</sup>C specifications defined by Philips. This specification can be ordered using the code 9398 393 40011.

## Data sheet status

Level	Data sheet status <sup>[1]</sup>	Product status <sup>[2]</sup> [3]	Definitions
I	Objective data	Development	This data sheet contains data from the objective specification for product development. Philips Semiconductors reserves the right to change the specification in any manner without notice.
II	Preliminary data	Qualification	This data sheet contains data from the preliminary specification. Supplementary data will be published at a later date. Philips Semiconductors reserves the right to change the specification without notice, in order to improve the design and supply the best possible product.
III	Product data	Production	This data sheet contains data from the product specification. Philips Semiconductors reserves the right to make changes at any time in order to improve the design, manufacturing and supply. Relevant changes will be communicated via a Customer Product/Process Change Notification (CPCN).

[1] Please consult the most recently issued data sheet before initiating or completing a design.

[2] The product status of the device(s) described in this data sheet may have changed since this data sheet was published. The latest information is available on the Internet at URL <http://www.semiconductors.philips.com>.

[3] For data sheets describing multiple type numbers, the highest-level product status determines the data sheet status.

## Definitions

**Short-form specification** — The data in a short-form specification is extracted from a full data sheet with the same type number and title. For detailed information see the relevant data sheet or data handbook.

**Limiting values definition** — Limiting values given are in accordance with the Absolute Maximum Rating System (IEC 60134). Stress above one or more of the limiting values may cause permanent damage to the device. These are stress ratings only and operation of the device at these or at any other conditions above those given in the Characteristics sections of the specification is not implied. Exposure to limiting values for extended periods may affect device reliability.

**Application information** — Applications that are described herein for any of these products are for illustrative purposes only. Philips Semiconductors make no representation or warranty that such applications will be suitable for the specified use without further testing or modification.

## Disclaimers

**Life support** — These products are not designed for use in life support appliances, devices, or systems where malfunction of these products can reasonably be expected to result in personal injury. Philips Semiconductors customers using or selling these products for use in such applications do so at their own risk and agree to fully indemnify Philips Semiconductors for any damages resulting from such application.

**Right to make changes** — Philips Semiconductors reserves the right to make changes in the products—including circuits, standard cells, and/or software—described or contained herein in order to improve design and/or performance. When the product is in full production (status 'Production'), relevant changes will be communicated via a Customer Product/Process Change Notification (CPCN). Philips Semiconductors assumes no responsibility or liability for the use of any of these products, conveys no license or title under any patent, copyright, or mask work right to these products, and makes no representations or warranties that these products are free from patent, copyright, or mask work right infringement, unless otherwise specified.

## Contact information

For additional information please visit  
<http://www.semiconductors.philips.com>. Fax: +31 40 27 24825

© Koninklijke Philips Electronics N.V. 2002  
 All rights reserved. Printed in U.S.A.

Date of release: 12-02

For sales offices addresses send e-mail to:  
[sales.addresses@www.semiconductors.philips.com](mailto:sales.addresses@www.semiconductors.philips.com).

Document order number:

9397 750 10872

*Let's make things better.*