



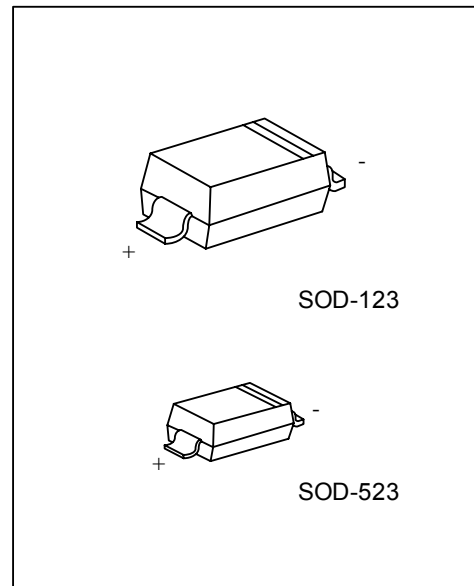
# SD103AW

**DIODE**

## SCHOTTKY BARRIER SWITCHING DIODE

### ■ FEATURES

- \* Low Forward Voltage Drop
- \* Fast Switching
- \* Negligible Reverse Recovery Time
- \* Low Reverse Capacitance
- \* Designed for Surface Mount Application
- \* PN Junction Guard Ring for Transient and ESD Protection



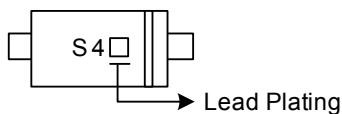
\*Pb-free plating product number: SD103AWL

### ■ ORDERING INFORMATION

Order Number		Package	Packing
Normal	Lead Free Plating		
SD103AW-CA2-R	SD103AWL-CA2-R	SOD-123	Tape Reel
SD103AW-CC2-R	SD103AWL-CC2-R	SOD-523	Tape Reel

<p>SD103AWL-CA2-R</p> <p>(1)Packing Type (2)Package Type (3)Lead Plating</p>	<p>(1) R: Tape Reel (2) CA2: SOD-123, CC2: SOD-523 (3) L: Lead Free Plating Blank: Pb/Sn</p>
--	--

### ■ MARKING



■ ABSOLUTE MAXIMUM RATINGS (Single Diode @ $T_A=25$  )

PARAMETER	SYMBOL	RATINGS	UNIT
Maximum repetitive Peak Reverse Voltage	$V_{RRM}$	40	V
Maximum DC Blocking Voltage	$V_R$	40	V
Working Peak Reverse Voltage	$V_{RWM}$	40	V
Maximum RMS Reverse Voltage	$V_{R(RMS)}$	28	V
Forward Continuous Current	$I_{FM}$	350	mA
Non-Repetitive Peak Forward Current at $t_p \leq 1.0s$	$I_{FSM}$	1.5	A
Power Dissipation	$P_D$	400	mW
Storage Temperature	$T_{STG}$	-65~+125	

Note: Absolute maximum ratings are those values beyond which the device could be permanently damaged.

Absolute maximum ratings are stress ratings only and functional device operation is not implied.

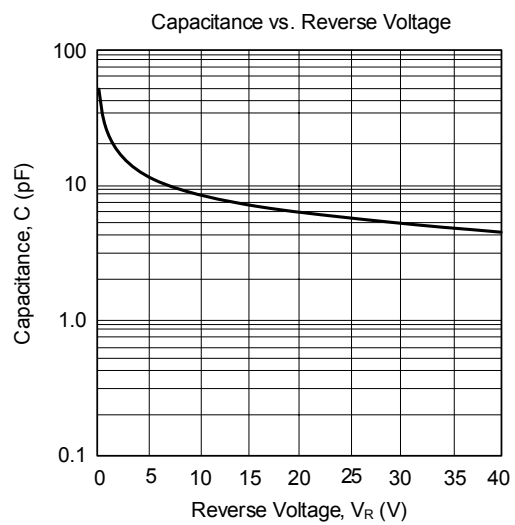
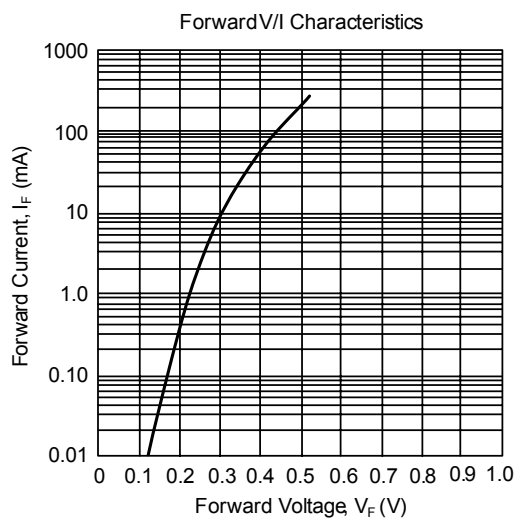
■ THERMAL DATA

PARAMETER	SYMBOL	RATINGS	UNIT
Thermal Resistance Junction to Ambient	$\theta_{JA}$	300	/W

■ ELECTRICAL CHARACTERISTICS ( $T_A=25$  )

PARAMETER	SYMBOL	CONDITIONS	MIN.	TYP.	MAX.	UNIT
Forward Voltage Drop	$V_F$	$I_F=20mA$			0.37	V
		$I_F=200mA$			0.60	V
Reverse Breakdown Voltage	$BV_R$	$I_R=10\mu A$	40			V
Peak Reverse Leakage Current	$I_{RM}$	$V_R=30V$			5.0	$\mu A$
Typical Reverse Recovery Time	$t_{RR}$	$I_F=I_R= 50\sim 200mA,$ $R_L=100\Omega$ recover to $0.1 \times I_R,$		10		ns
Typical Junction Capacitance	$C_T$	$V_R=0V, f=1.0MHz$		50		pF

## ■ TYPICAL CHARACTERISTICS



UTC assumes no responsibility for equipment failures that result from using products at values that exceed, even momentarily, rated values (such as maximum ratings, operating condition ranges, or other parameters) listed in products specifications of any and all UTC products described or contained herein. UTC products are not designed for use in life support appliances, devices or systems where malfunction of these products can be reasonably expected to result in personal injury. Reproduction in whole or in part is prohibited without the prior written consent of the copyright owner. The information presented in this document does not form part of any quotation or contract, is believed to be accurate and reliable and may be changed without notice.