

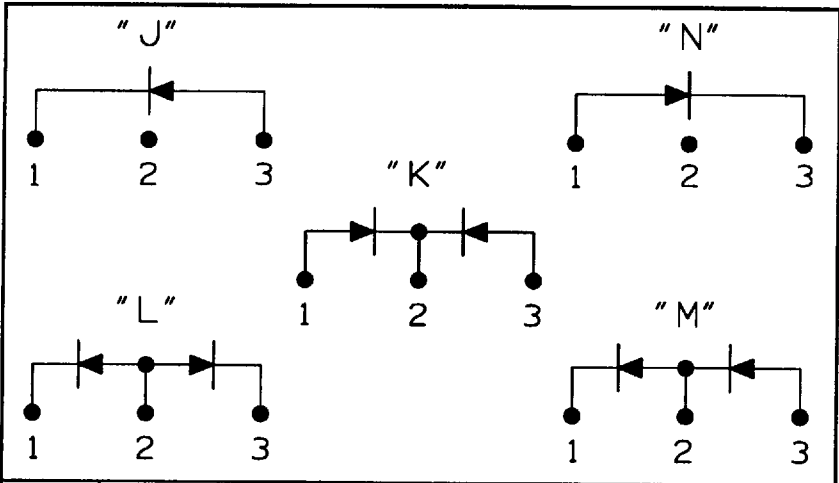
MAXIMUM RATINGS PER DIODE			
PARAMETER	SYMBOL		UNITS
WORKING PEAK REVERSE VOLTAGE	VRRM	100	V
AVERAGE FORWARD CURRENT	IF(AV)	70	A
PEAK ONE CYCLE NON-REPETITIVE SURGE CURRENT	IFSM	600	A
PEAK REPETITIVE REVERSE CURRENT	IRRM	1.0	A
OPERATING JUNCTION TEMPERATURE RANGE	TJ	-65 TO +175	°C
STORAGE TEMPERATURE RANGE	Tstg	-55 TO +150	°C
THERMAL RESISTANCE JUNCTION TO CASE	RtJc	1.0	°C/W

100V, 60A, 1.15V	
SDS60100	JAA
SDS60100	JAB
SDS60100	JEA
SDS60100	JEB
SDS60100	JEC
SDS60100	JED

ELECTRICAL CHARACTERISTICS Tc = 25°C (UNLESS OTHERWISE SPECIFIED)				
PARAMETER	SYMBOL	TEST CONDITIONS		UNITS
MAX. PEAK FORWARD VOLTAGE ①	VF	TJ=25°C IFM=60A	1.15	V
MAX. PEAK REVERSE CURRENT ①	IRM	TJ=25°C	20	mA
		TJ=125°C VRWM=100V	45	
CAPACITANCE	Ct	Tc=25°C, VR=5VDC f=100KHZ TO 1 MHZ	1800	Pf

- ### FEATURES
- RUGGED PACKAGE
 - HI-REL CONSTRUCTION
 - CERAMIC EYELETS
 - LEAD BENDING OPTIONS
 - COPPER CORED 52 ALLOY PINS
 - LOW IR LOSSES
 - LOW THERMAL RESISTANCE
 - OPTIONAL MIL-S-19500 OR MIL-STD-883 SCREENING

(1) PULSE TEST: PULSE WIDTH 300µS, DUTY CYCLE 2%



PIN	"J"	"K"	"L"	"M"	"N"
1	CATHODE	ANODE	CATHODE	CATHODE	ANODE
2	NO CONN.	COMMON	COMMON	COMMON	NO CONN.
3	ANODE	ANODE	CATHODE	ANODE	CATHODE
PKG.	JAA, JAB	JEA, JEB JEC, JED	JEA, JEB JEC, JED	JEA, JEB JEC, JED	JAA, JAB

CASE = NO CONNECTION

