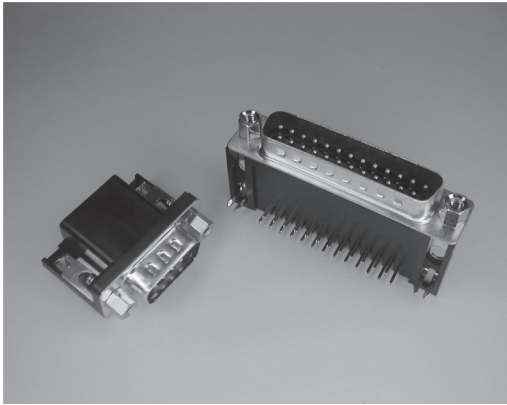


400/D-SUB 8.08mm Type



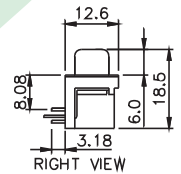
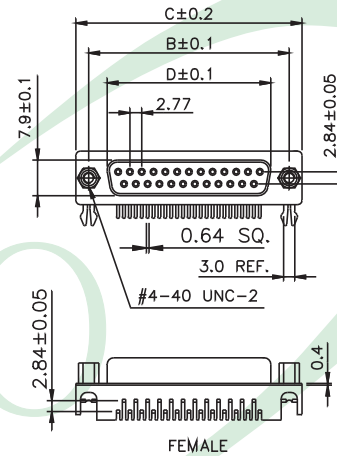
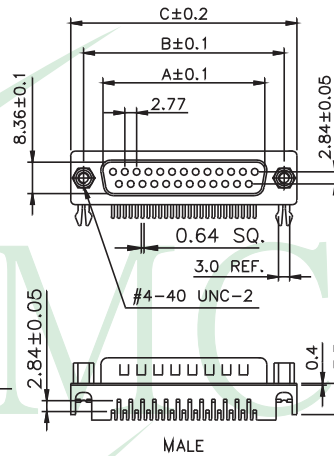
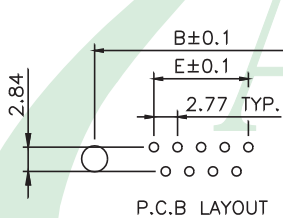
MATERIAL :

1. INSULATOR : PBT + 30% GLASS FIBER UL94V-0.
2. CONTACT : BRASS.
3. CONTACT PLATED : GOLDOVER NICKEL.
4. SHELL : STEEL ZINC PLATED OR TIN PLATED.

ELECTRICAL CHARACTERISTICS :

1. CONTACT CURRENT RATING : 5 AMPS.
2. CONTACT RESISTANCE : 30 MILLIOHMS MAX.
3. DIELECTRIC WITHSTANDING VOLTAGE : 500V AC MIN.
4. INSULATION RESISTANCE : 1000 MEGOHMS MIN.
5. TEMPERATURE RATING : -55°C TO +105°C..

| Circuits | Dimension | | | | |
|----------|-----------|-------|-------|-------|-------|
| | A | B | C | D | E |
| 09 | 16.92 | 24.99 | 30.81 | 16.33 | 11.08 |
| 15 | 25.25 | 33.32 | 39.14 | 24.66 | 19.39 |
| 19 | 30.50 | 38.94 | 44.94 | 30.00 | 24.93 |
| 23 | 36.10 | 44.28 | 50.30 | 35.75 | 30.47 |
| 25 | 38.96 | 47.04 | 53.04 | 38.38 | 33.24 |
| 37 | 55.42 | 63.50 | 69.32 | 54.84 | 49.86 |



400. D-SUB

Series No.

| | | | |
|---|---|---|---|
| 1 | 2 | 3 | 4 |
| 4 | 0 | 0 | — |

R/A TYPE

8.08mm FOOT PRINT

No. of Contacts

| | |
|---|---|
| 5 | 6 |
| 0 | 9 |

09
15
25
37

Contact Type

M: MALE
F: FEMALE

7
8

A: Rivet
Type
B: With Jack
Screw
C: Rivet With
Jack Screw
D: Rivet Add
Jack Screw

Mounting Type

C

8

Z: ZINC
Screw

Shell Plated

N

9

N: NICKEL
T: TIN

Contact Plated

S 1

10 11

G1: Gold Flash
S1: Gold Flash
G2: 3u" Gold
S2: 3u" Gold
G3: 5u" Gold
S3: 5u" Gold
G4: 10u" Gold
S4: 10u" Gold
G5: 15u" Gold
S5: 15u" Gold
G6: 30u" Gold
S6: 30u" Gold
(G: Full Gold)(S: Selective Gold)

Plastic Color

T

12

B: Black
G: Gold
D: Burgundy
T: Turquoise

Branding

A

13

A: Amco Mark
N: No Mark