



# MMBT4401

## NPN GENERAL PURPOSE SWITCHING TRANSISTOR

**VOLTAGE** 40 Volts **POWER** 225 mWatts

**SOT-23** Unit: inch (mm)

### FEATURES

- NPN epitaxial silicon, planar design
- Collector-emitter voltage  $V_{CE} = 40V$
- Collector current  $I_C = 600mA$
- In compliance with EU RoHS 2002/95/EC directives

### MECHANICAL DATA

- Case: SOT-23, Plastic
- Terminals: Solderable per MIL-STD-750, Method 2026
- Approx. Weight: 0.008 gram
- Marking: M4A

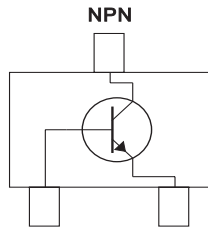
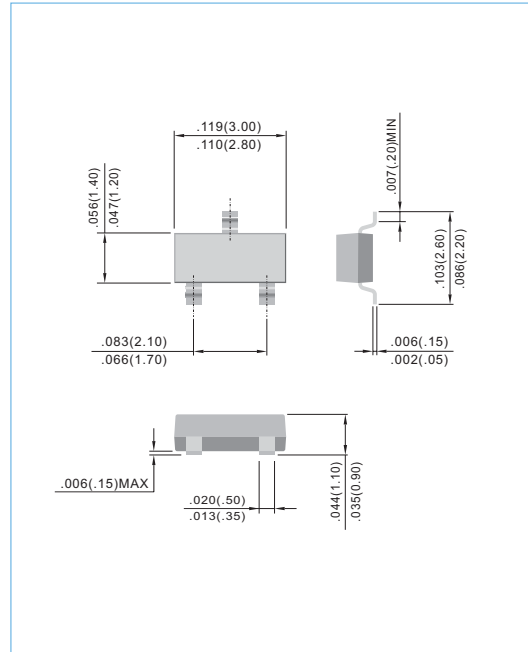


Fig.34

### ABSOLUTE RATINGS

PARAMETER	Symbol	Value	Units
Collector - Emitter Voltage	$V_{CEO}$	40	V
Collector - Base Voltage	$V_{CBO}$	60	V
Emitter - Base Voltage	$V_{EBO}$	6.0	V
Collector Current - Continuous	$I_C$	600	mA

### THERMAL CHARACTERISTICS

PARAMETER	Symbol	Value	Units
Max Power Dissipation (Note 1)	$P_{TOT}$	225	mW
Thermal Resistance , Junction to Ambient	$R_{\theta A}$	556	$^{\circ}C/W$
Junction Temperature	$T_J$	-55 to 150	$^{\circ}C$
Storage Temperature	$T_{STG}$	-55 to 150	$^{\circ}C$

Note 1: Transistor mounted on FR-5 board 1.0 x 0.75 x 0.062 in.



# MMBT4401

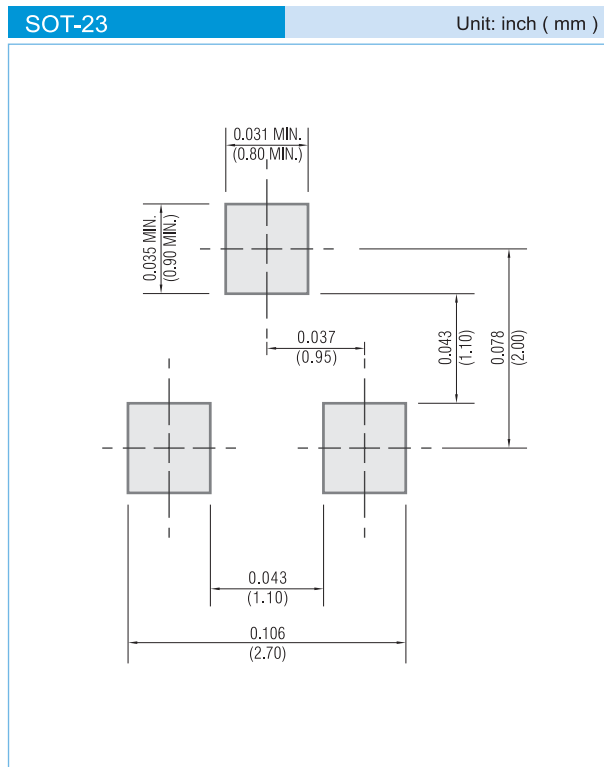
## ELECTRICAL CHARACTERISTICS

PARAMETER	Symbol	Test Condition	MIN.	TYP.	MAX.	Units
Collector - Emitter Breakdown Voltage	$V_{(BR)CEO}$	$I_C=1.0mA, I_B=0$	40	-	-	V
Collector - Base Breakdown Voltage	$V_{(BR)CBO}$	$I_C=100\mu A, I_E=0$	60	-	-	V
Emitter - Base Breakdown Voltage	$V_{(BR)EBO}$	$I_E=100\mu A, I_C=0$	6.0	-	-	V
Base Cutoff Current	$I_{BL}$	$V_{CE}=35V, V_{EB}=0.4V$	-	-	100	nA
Collector Cutoff Current	$I_{CEX}$	$V_{CE}=35V, V_{EB}=0.4V$	-	-	100	nA
DC Current Gain (Note 2)	$h_{FE}$	$I_C=0.1mA, V_{CE}=1.0V$	20	-	-	-
		$I_C=1.0mA, V_{CE}=1.0V$	40	-	-	
		$I_C=10mA, V_{CE}=1.0V$	80	-	-	
		$I_C=150mA, V_{CE}=1.0V$	100	-	300	
		$I_C=500mA, V_{CE}=2.0V$	40	-	-	
Collector - Emitter Saturation Voltage (Note 2)	$V_{CE(SAT)}$	$I_C=150mA, I_B=15mA$ $I_C=500mA, I_B=50mA$	-	-	0.40 0.75	V
Base - Emitter Saturation Voltage (Note 2)	$V_{BE(SAT)}$	$I_C=150mA, I_B=15mA$ $I_C=500mA, I_B=50mA$	0.75 -	- -	0.95 1.20	V
Collector - Base Capacitance	$C_{CBO}$	$V_{CB}=5V, I_E=0, f=1MHz$	-	-	6.5	pF
Emitter - Base Capacitance	$C_{EBO}$	$V_{CB}=0.5V, I_C=0, f=1MHz$	-	-	30	pF
Current Gain - Bandwidth Product	$F_T$	$V_{CE}=10V, I_C=20mA, f=100MHz$	250	-	-	MHz
Delay Time	$t_d$	$V_{CC}=30V, V_{BE}=2.0V,$ $I_C=150mA, I_{B1}=15mA$	-	-	15	ns
Rise Time	$t_r$	$V_{CC}=30V, V_{BE}=2.0V,$ $I_C=150mA, I_{B1}=15mA$	-	-	20	ns
Storage Time	$t_s$	$V_{CC}=30V, I_C=150mA$ $I_{B1}=I_{B2}=15mA$	-	-	225	ns
Fall Time	$t_f$	$V_{CC}=30V, I_C=150mA$ $I_{B1}=I_{B2}=15mA$	-	-	30	ns



# MMBT4401

## MOUNTING PAD LAYOUT



### ORDER INFORMATION

- Packing information
  - T/R - 12K per 13" plastic Reel
  - T/R - 3K per 7" plastic Reel

### LEGAL STATEMENT

#### Copyright PanJit International, Inc 2007

The information presented in this document is believed to be accurate and reliable. The specifications and information herein are subject to change without notice. Pan Jit makes no warranty, representation or guarantee regarding the suitability of its products for any particular purpose. Pan Jit products are not authorized for use in life support devices or systems. Pan Jit does not convey any license under its patent rights or rights of others.