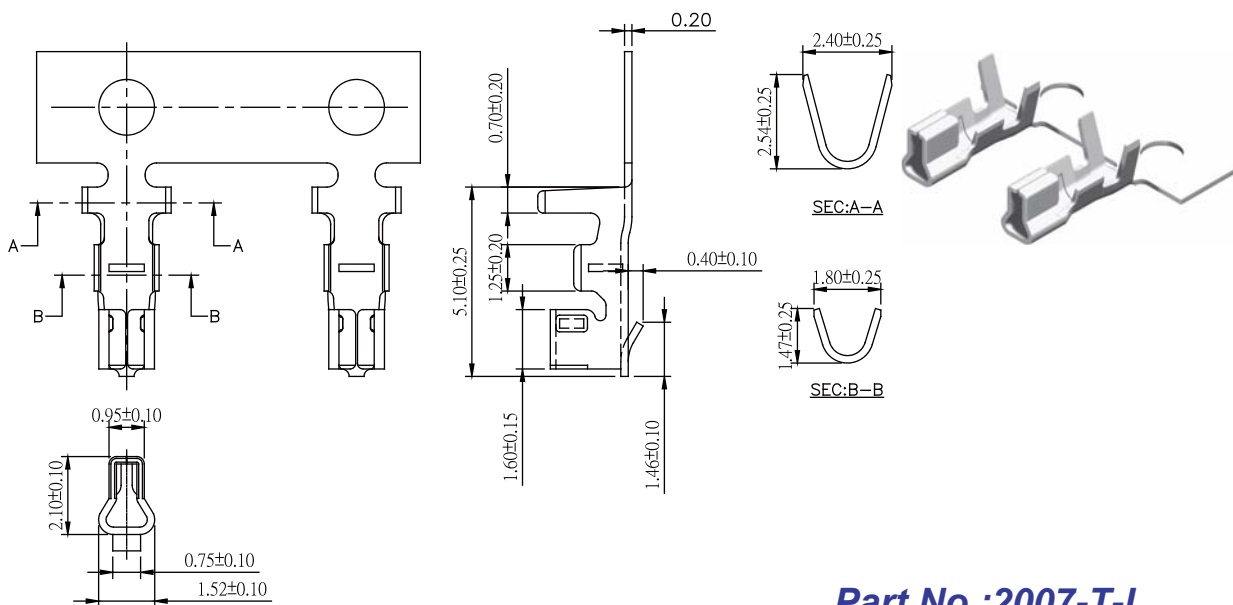




**2.0mm Terminal / Housing**

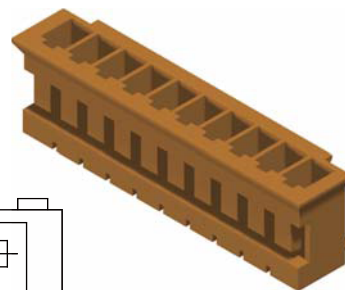


**Part No.:2007-T-L**

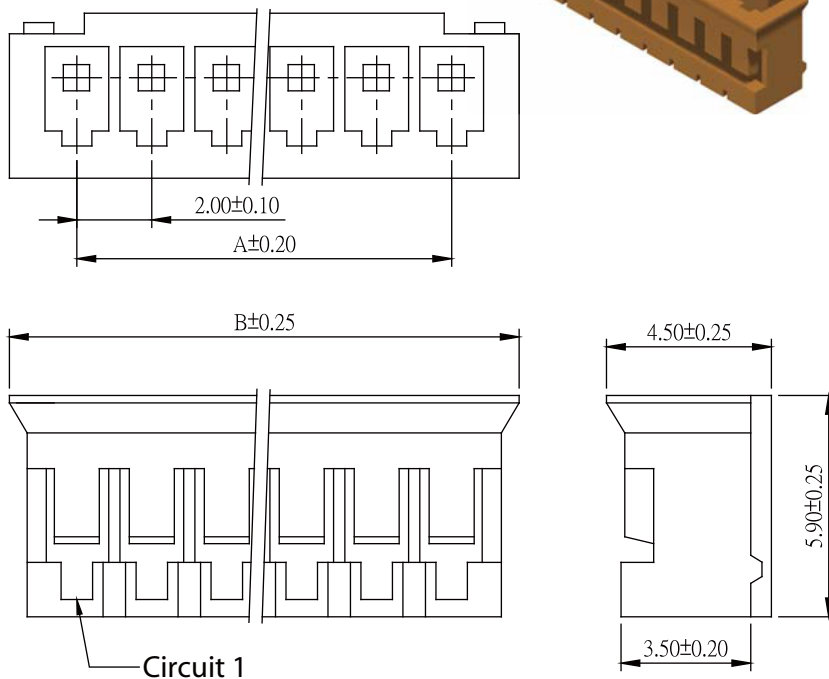
Wire Range	Insulation O.D.	Material	Finish
AWG#24-#28	1.50mm(max)	Phosphor Bronze	Tin Plated

**Specifications**

Current Rating: 3A AC,DC  
 Voltage Rating: 300V AC,DC  
 Temperature Range: -25°C to +85°C  
 Contact Resistance: 20mΩ Max  
 Insulation Resistance: 100MΩ Min  
 Withstanding Voltage: 1000V AC/minute  
 Material:Nylon 66,UL94V-0



Part No.	Dimensions	
	A	B
2007H-02R-L	2.00	5.60
2007H-03R-L	4.00	7.60
2007H-04R-L	6.00	9.60
2007H-05R-L	8.00	11.60
2007H-06R-L	10.00	13.60
2007H-07R-L	12.00	15.60
2007H-08R-L	14.00	17.60
2007H-09R-L	16.00	19.60
2007H-10R-L	18.00	21.60
2007H-11R-L	20.00	23.60
2007H-12R-L	22.00	25.60
2007H-13R-L	24.00	27.60
2007H-14R-L	26.00	29.60
2007H-15R-L	28.00	31.60



**Part No.:2007H-XXR-L**

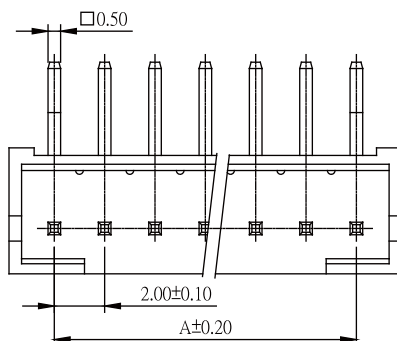


## 2.0mm Wafer Right Angle / Straight Type

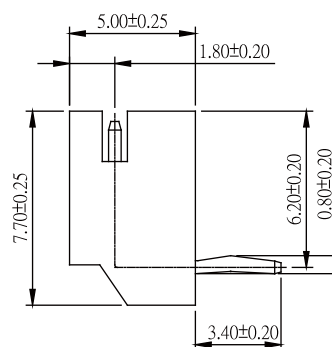
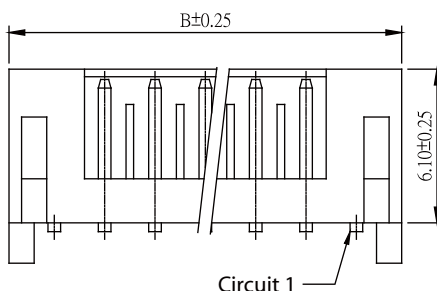
### Specifications

Current Rating: 3A AC,DC  
 Voltage Rating: 300V AC,DC  
 Temperature Range: -25°C to +85°C  
 Contact Resistance: 20mΩ Max  
 Insulation Resistance: 100M Ω Min  
 Withstanding Voltage: 1000V AC/minute  
 Terminal: Brass / Tin Plated  
 Material:Nylon 66,UL94V-0

Part No.	Dimensions	
	A	B
2007R-02TR-L	2.00	6.00
2007R-03TR-L	4.00	8.00
2007R-04TR-L	6.00	10.00
2007R-05TR-L	8.00	12.00
2007R-06TR-L	10.00	14.00
2007R-07TR-L	12.00	16.00
2007R-08TR-L	14.00	18.00
2007R-09TR-L	16.00	20.00
2007R-10TR-L	18.00	22.00
2007R-11TR-L	20.00	24.00
2007R-12TR-L	22.00	26.00
2007R-13TR-L	24.00	28.00
2007R-14TR-L	26.00	30.00
2007R-15TR-L	28.00	32.00



Recommended PCB Layout  
 (PCB TOLERANCE ±0.05)

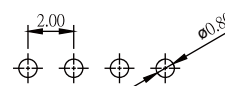
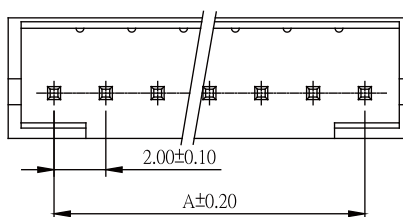


**Part No.:2007R-XXTR-L**

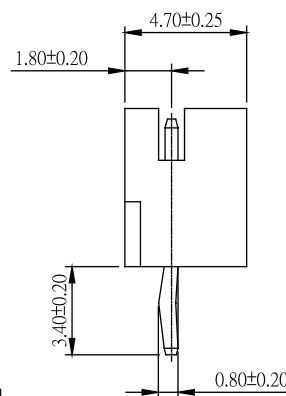
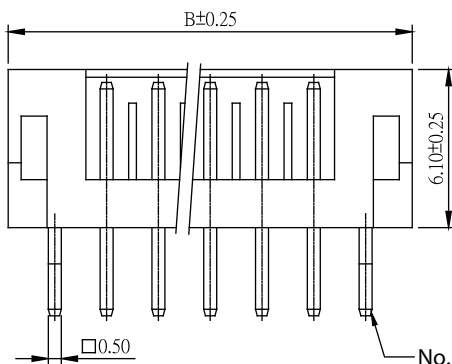
### Specifications

Current Rating: 3A AC,DC  
 Voltage Rating: 300V AC,DC  
 Temperature Range: -25°C to +85°C  
 Contact Resistance: 20mΩ Max  
 Insulation Resistance: 100M Ω Min  
 Withstanding Voltage: 1000V AC/minute  
 Terminal: Brass / Tin Plated  
 Material:Nylon 66,UL94V-0

Part No.	Dimensions	
	A	B
2007S-02TR-L	2.00	6.00
2007S-03TR-L	4.00	8.00
2007S-04TR-L	6.00	10.00
2007S-05TR-L	8.00	12.00
2007S-06TR-L	10.00	14.00
2007S-07TR-L	12.00	16.00
2007S-08TR-L	14.00	18.00
2007S-09TR-L	16.00	20.00
2007S-10TR-L	18.00	22.00
2007S-11TR-L	20.00	24.00
2007S-12TR-L	22.00	26.00
2007S-13TR-L	24.00	28.00
2007S-14TR-L	26.00	30.00
2007S-15TR-L	28.00	32.00



Recommended PCB Layout  
 (PCB TOLERANCE ±0.05)



**Part No.:2007S-XXTR-L**