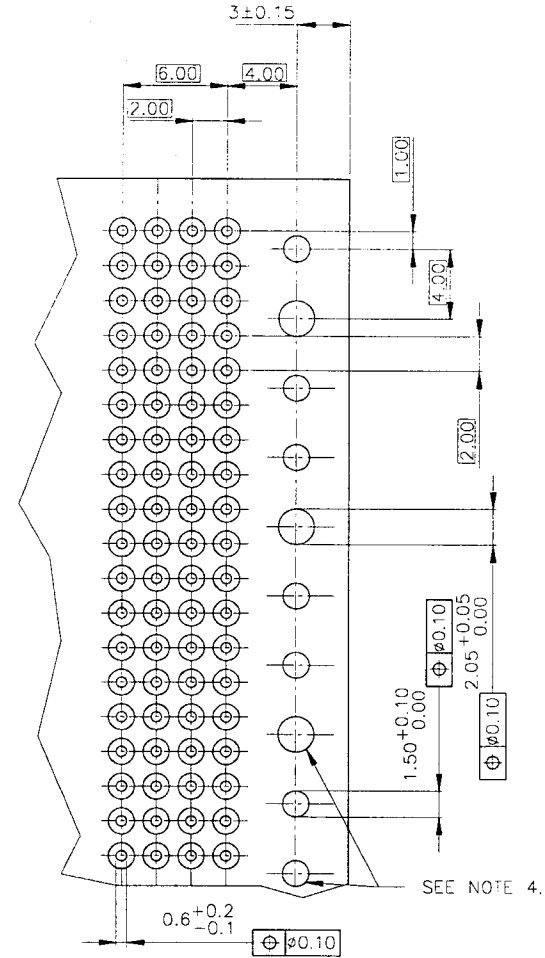
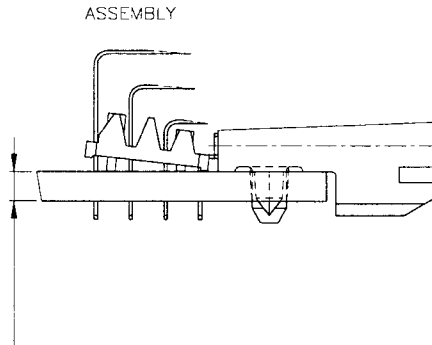
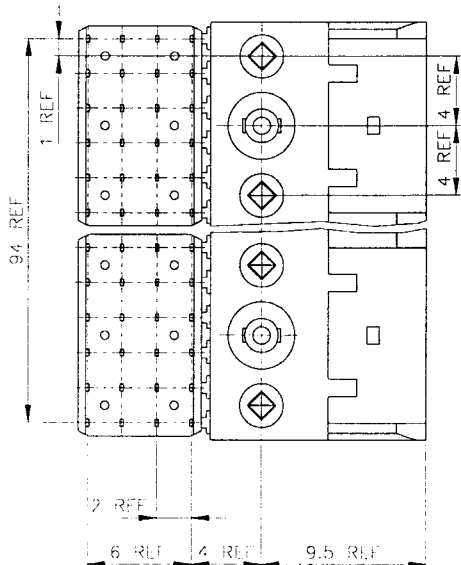
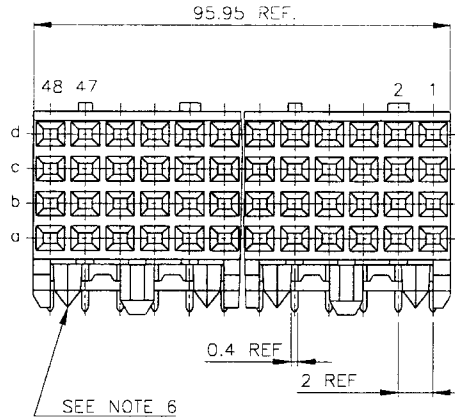
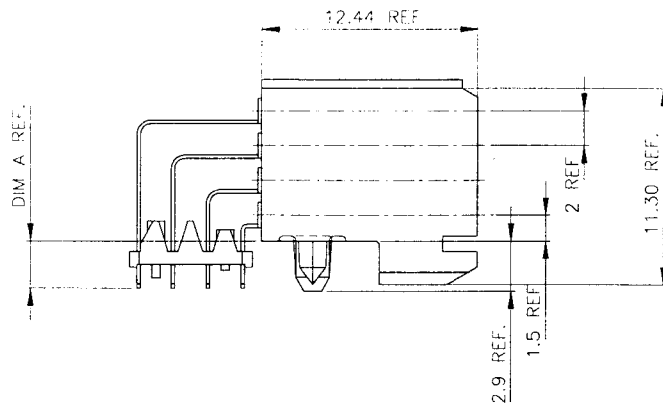


PRODUCT NR.	PLATING CONTACT AREA	UNDERPLATING
85898-1YZ	0.8 µm GOLD	1.3 µm Ni MIN.
85898-2YZ	2 µm GOLD	1.3 µm Ni MIN.
85898-3YZ	1.3 µm GOLD	1.3 µm Ni MIN.
85898-9YZ	0.8 µm GXT	1.3 µm Ni MIN.

PC BOARD VERSIONS		
PRODUCTNR.	PCB THICKNESS	DIM A
85898-X01	1.6	2.73
85898-X11	2.4	3.53



RECOMMENDED HOLE PATTERN, COMPONENT SIDE.

- NOTES:
- 1 BODY MAT'L: LIQUID CRYSTAL POLYMER 30% GLASS
FLAME RETARDANT ACC. UL 94-V0
 - 2 TERMINAL MATERIAL: PHOSPHOR BRONZE.
 - 3 PLATING SOLDER TAILS 2-8 µm SnPb 90-97.
 - 4 INDICATED HOLES ARE UNPLATED.
 - 5 PRODUCT MARKING : PARTNUMBER & BATCH ID.
 - 6 LOCATION PFG FEATURES MAY NOT BE AVAILABLE AS SHOWN.

part code		tolerances unless otherwise specified		CUSTOMER COPY	F.C.I. ELECTRONICS	
lit	part no.	q'ty	date	projection	title	www.fci.com
A	140812	REV	941230	1st angle	RA RECEIPT SIGNAL	
B	V01442	DOH	9908/6		STB 96mm Push Peg	
				UNITES		
				DR	IR. VISSCHERS	941230
				APP	E. FEUEN	941230
				CHK	R. BEKKER	941230
				REC	COOIJMANS	941230
sheet index	revision	sheet		scale	product family	code
				5:1	METRAL(tm)	215
					size/dwg no	sheet
					A2: 85898	1 of 1

PRODUCT NUMBER				NUMBER OF POS.	DIM"C"	DIM"D"
89898-Y02	-Y02A		-Y02B	2 x 02	2.54/ .100	5.00/ .197
89898-Y03	-Y03A		-Y03B	2 x 03	5.08/ .200	7.54/ .297
89898-Y04	-Y04A		-Y04B	2 x 04	7.62/ .300	10.08/ .397
89898-Y05	-Y05A	-Y05Y	-Y05B	2 x 05	10.16/ .400	12.62/ .497
89898-Y06	-Y06A		-Y06B	2 x 06	12.70/ .500	15.16/ .597
89898-Y07	-Y07A	-Y07Y	-Y07B	2 x 07	15.24/ .600	17.70/ .697
89898-Y08	-Y08A		-Y08B	2 x 08	17.78/ .700	20.24/ .797
89898-Y09	-Y09A		-Y09B	2 x 09	20.32/ .800	22.78/ .897
89898-Y10	-Y10A		-Y10B	2 x 10	22.86/ .900	25.32/ .997
89898-Y11			-Y11B	2 x 11	25.40/1.000	27.86/1.097
89898-Y12	-Y12A		-Y12B	2 x 12	27.94/1.100	30.40/1.197
89898-Y13	-Y13A		-Y13B	2 x 13	30.48/1.200	32.94/1.297
89898-Y14	-Y14A		-Y14B	2 x 14	33.02/1.300	35.48/1.397
89898-Y15	-Y15A		-Y15B	2 x 15	35.56/1.400	38.02/1.497
89898-Y16			-Y16B	2 x 16	38.10/1.500	40.56/1.597
89898-Y17	-Y17A		-Y17B	2 x 17	40.64/1.600	43.10/1.697
89898-Y18			-Y18B	2 x 18	43.18/1.700	45.64/1.797
89898-Y19			-Y19B	2 x 19	45.72/1.800	48.18/1.897
89898-Y20			-Y20B	2 x 20	48.26/1.900	50.72/1.997
89898-Y21			-Y21B	2 x 21	50.80/2.000	53.26/2.097
89898-Y22			-Y22B	2 x 22	53.34/2.100	55.80/2.197
89898-Y23			-Y23B	2 x 23	55.88/2.200	58.34/2.297
89898-Y24			-Y24B	2 x 24	58.42/2.300	60.88/2.397
89898-Y25	-Y25A		-Y25B	2 x 25	60.96/2.400	63.42/2.497
89898-Y26			-Y26B	2 x 26	63.50/2.500	65.96/2.597
89898-Y27	-Y27A		-Y27B	2 x 27	66.04/2.600	68.50/2.697
89898-Y28			-Y28B	2 x 28	68.58/2.700	71.04/2.797
89898-Y29	-Y29A		-Y29B	2 x 29	71.12/2.800	73.58/2.897
89898-Y30			-Y30B	2 x 30	73.66/2.900	76.12/2.997

SEE NOTE 10

SEE NOTE 10

PRODUCT NUMBER			NUMBER OF POS.	DIM"C"	DIM"D"
89898-Y31		-Y31B	2 x 31	76.20/3.000	78.66/3.097
89898-Y32		-Y32B	2 x 32	78.74/3.100	81.20/3.197
89898-Y33		-Y33B	2 x 33	81.28/3.200	83.74/3.297
89898-Y34		-Y34B	2 x 34	83.82/3.300	86.28/3.397
89898-Y35		-Y35B	2 x 35	86.36/3.400	88.82/3.497
89898-Y36		-Y36B	2 x 36	88.90/3.500	91.36/3.597
89898-Y37		-Y37B	2 x 37	91.44/3.600	93.90/3.697
89898-Y38		-Y38B	2 x 38	93.98/3.700	96.44/3.797
89898-Y39		-Y39B	2 x 39	96.52/3.800	98.98/3.897
89898-Y40		-Y40B	2 x 40	99.06/3.900	101.52/3.997
89898-Y41		-Y41B	2 x 41	101.60/4.000	104.06/4.097
89898-Y42		-Y42B	2 x 42	104.14/4.100	106.60/4.197
89898-Y43		-Y43B	2 x 43	106.68/4.200	109.14/4.297
89898-Y44		-Y44B	2 x 44	109.22/4.300	111.68/4.397
89898-Y45		-Y45B	2 x 45	111.76/4.400	114.22/4.497
89898-Y46		-Y46B	2 x 46	114.30/4.500	116.76/4.597
89898-Y47		-Y47B	2 x 47	116.84/4.600	119.30/4.697
89898-Y48		-Y48B	2 x 48	119.38/4.700	121.84/4.797
89898-Y49		-Y49B	2 x 49	121.92/4.800	124.38/4.897
89898-Y50		-Y50B	2 x 50	124.46/4.900	126.92/4.997

NOTE:

8 - ABOVE 25 POSITIONS, ON SPECIAL REQUEST.

9 - FOR TAPE DIMENSIONS SEE TA 856

10 - 89898-Y05Y & -Y07Y ARE PACK IN SPECIAL CARRIER TAPE

part code SEE NOTES SHEET 1				tolerances unless otherwise specified				CUSTOMER COPY		BERG ELECTRONICS	
tr	ecn no	dr	date	linear	projection	title	SMT std.				
N	F90144	PNZ	99.02.24								
H	F70421	PNZ	97.03.28	angles							
J	F70482	PNZ	97.07.23	dr	P.NIZZI	95.06.21	mm	product family	DX	VCC	DR
K	F80311	VMO	98.04.27	dr	JM.PHAMVAN	95.06.21	mm	size	dwg no	code 213	
L	F80393	PNZ	98.07.22	dr	P.NIZZI	95.06.21	scale	A2	sheet 2 of 2		
M	F80557	VMO	98.11.18	appd	JM.P	95.06.21	N/A	89898			
sheet index	revision	sheet									