

A-14-13

# EXAMPLE & ORDERING CODE

PHONE JACKS PHJ - 8 P 8 C - 1 S - 8 - 4

NUMBER OF POSITIONS:  
= 4  
= 6  
= 8  
= 10

NUMBER OF CONTACTS:  
= 2  
= 4  
= 6  
= 8  
= 10

NUMBER OF PORTS: 1 THROUGH 12

OPTIONS:  
UNSHIELDED = BLANK  
SHIELDED = S

BODY STYLE: SEE CATALOG PAGES 108-122

COLOR:  
BLACK = BLANK  
GRAY = G  
(FOR COUPLER ONLY): RED = R  
BLUE = B  
YELLOW = Y  
GREEN = N  
WHITE = W  
IVORY = I

PLATING:  
6µ" OF GOLD = BLANK  
10µ" OF GOLD = 1  
15µ" OF GOLD = 2  
20µ" OF GOLD = 3  
30µ" OF GOLD = 4  
(STANDARD) 50µ" OF GOLD = 5

TELEPHONE JACKS & PLUGS

6

## SPECIFICATIONS

### MATERIAL AND FINISH:

Shell: (shielded)  
Material: PBT Mixed 15% Glass Fiber  
Rating: UL 94V-0  
Shield: Tin Plated Phosphor Bronze

Shell: (unshielded)  
Material: PBT mixed 15% Glass Fiber  
Rating: UL 94V-0

### Contacts:

Material: 0.38mm flat pin Phosphor Bronze Alloy  
Plating: Gold 30µ"  
Tin 150µ"  
Nickel 50µ"

### MECHANICAL:

Mating Force: 2 contacts = 350 g  
4 contacts = 500 g  
6 contacts = 750 g  
8 contacts = 900 g

Retention Force: (between jack and plug) 7.7 kg

### ELECTRICAL SPECIFICATIONS:

Rated Current: 1.5A

Insulator Resistance: 500 Megaohm min.

Contact Resistance: 20 milliohm max. per contact

Dielectric Withstanding Strength: 1000 VAC RMS @ 60 Hz

Shield: Shielding effective from 30 MHz



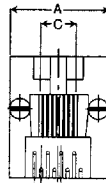
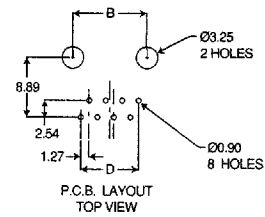
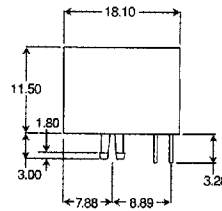
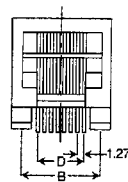
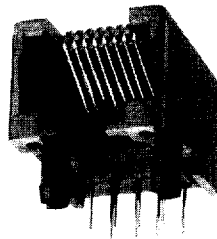
59 Lakeside Avenue • West Orange, N.J. 07052-0539 • 201 736-5722 • FAX: 201 736-8930

# Low Profile



PHJ-8P8C-1-6-5

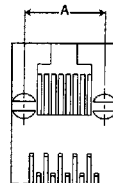
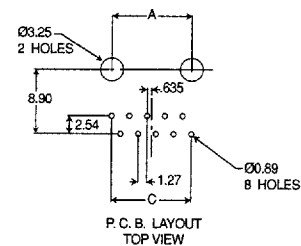
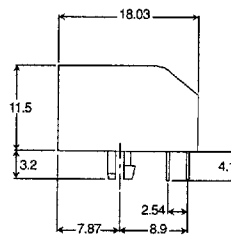
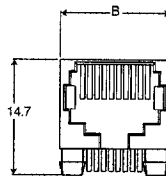
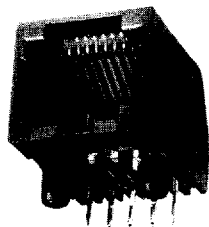
(shown)



NO. OF POSITIONS	DIMENSIONS			
	A	B	C	D
4	11.18	7.62	3.05	3.81
6	13.21	10.16	5.08	6.35
8	15.24	11.43	7.11	8.89

PHJ-8P8C-1-I-5

(shown)

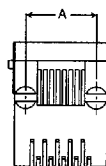
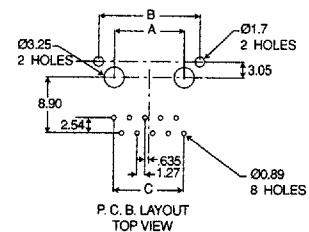
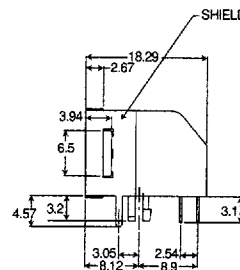
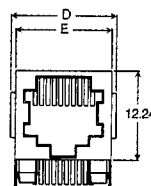
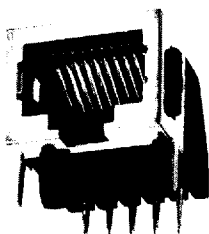


NO. OF POSITIONS	DIMENSIONS		
	A	B	C
6	10.16	13.24	6.35
8	11.43	15.24	8.89
10	11.43	15.24	11.43

PHJ-10P10C-1S-I-5

(shown)

Shielded



NO. OF POSITIONS	DIMENSIONS				
	A	B	C	D	E
6	10.26	13.46	6.35	15.75	14.10
8	11.43	15.50	8.89	17.78	16.10
10	11.43	15.50	11.43	17.78	16.10

Specifications subject to change without notice. Dimensions in mm.



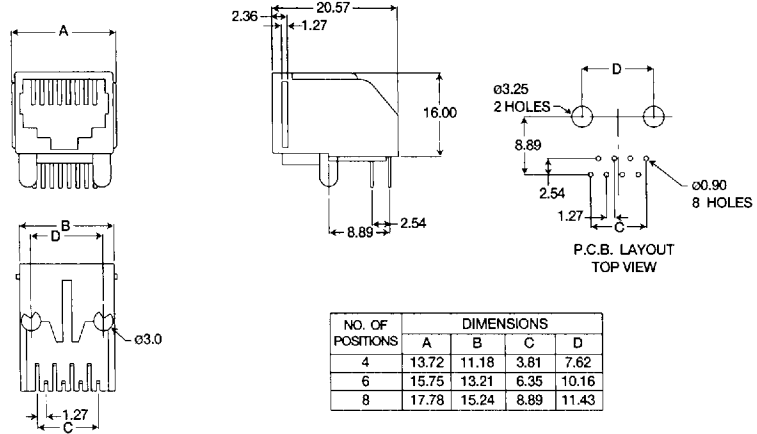
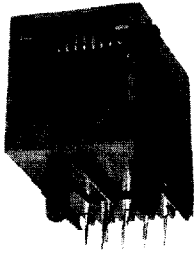
59 Lakeside Avenue • West Orange, N.J. 07052-0539 • 201 736-5722 • FAX: 201 736-8930

6

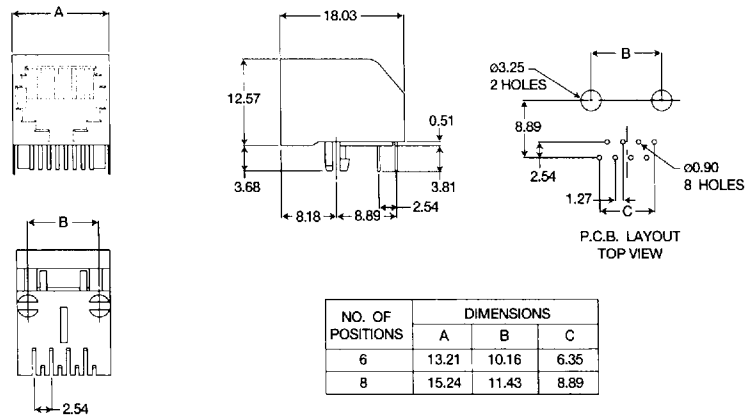
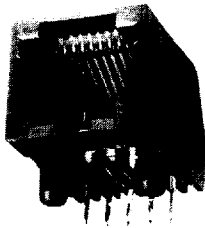
TELEPHONE JACKS & PLUGS

# Low Profile

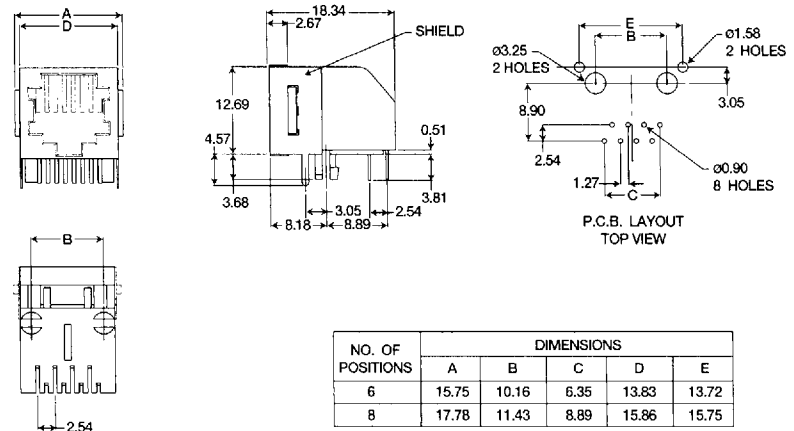
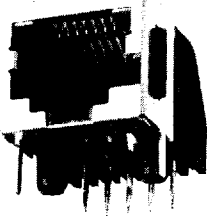
PHJ-8P8C-1-J-5  
(shown)



PHJ-8P8C-1-K-5  
(shown)



PHJ-8P8C-1S-K-5  
(shown)  
**Shielded**



Specifications subject to change without notice. Dimensions in mm.

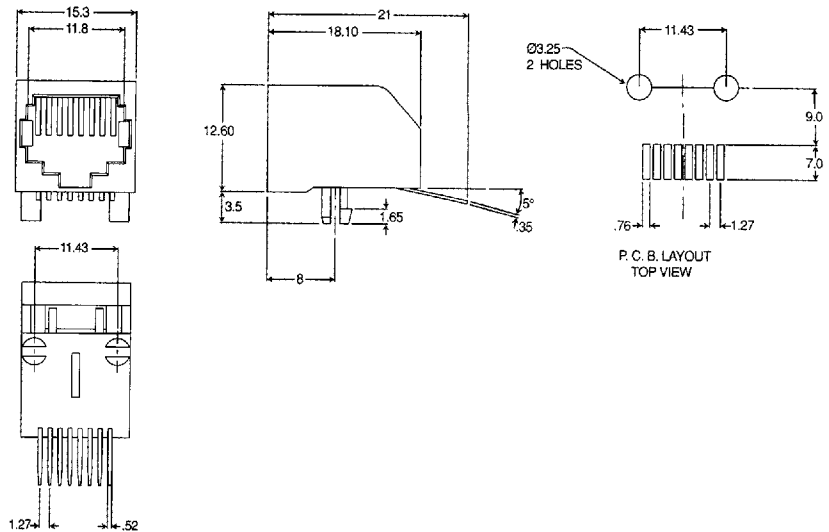
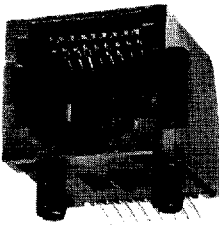


# Low Profile

PHJ-8P8C-1-U-5

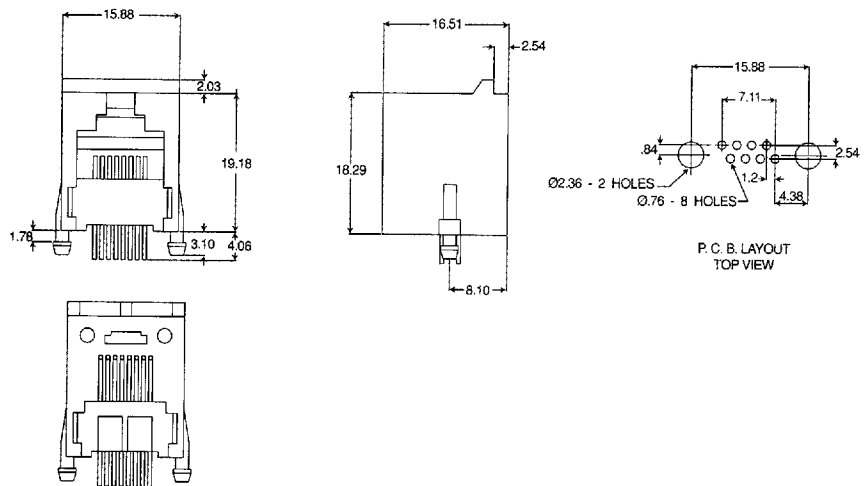
(shown)

Surface Mount



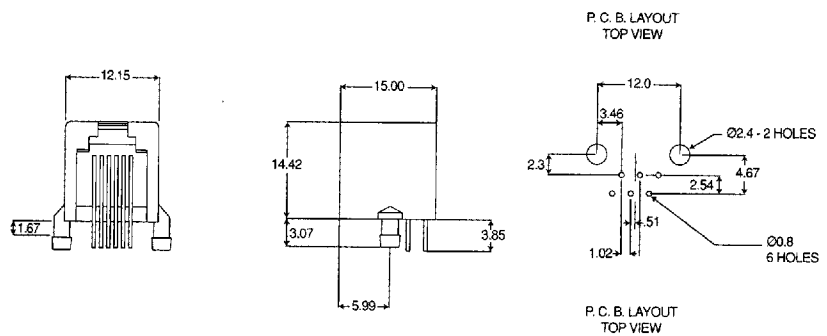
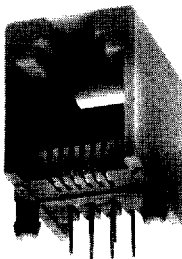
Shielded version also available.

PHJ-8P8C-1-L-5



PHJ-6P6C-1-H-5

(shown)



Also available in 4P4C.

Specifications subject to change without notice. Dimensions in mm.



59 Lakeside Avenue • West Orange, N.J. 07052-0539 • 201 736-5722 • FAX: 201 736-8930

6 TELEPHONE JACKS & PLUGS