

# 2.54mm (0.1") Female Header

5mm Profile, Dual Beam Folded Type

(Single Row, Straight & Right Angle)

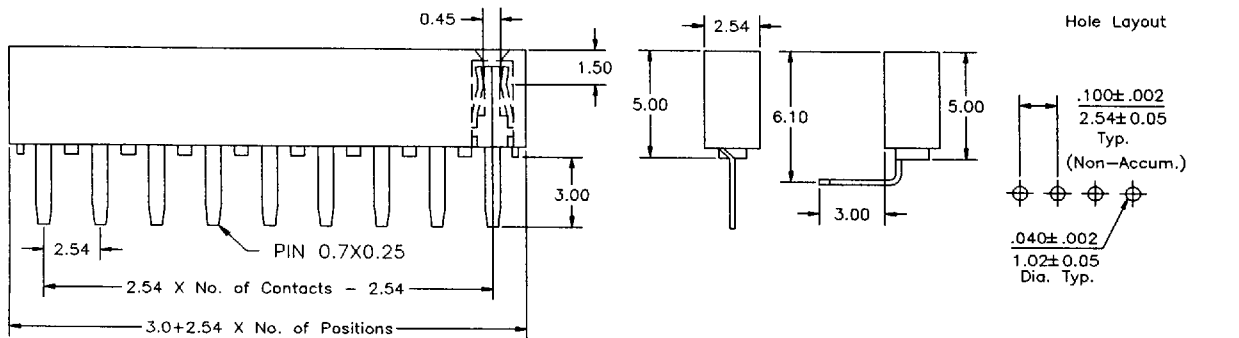
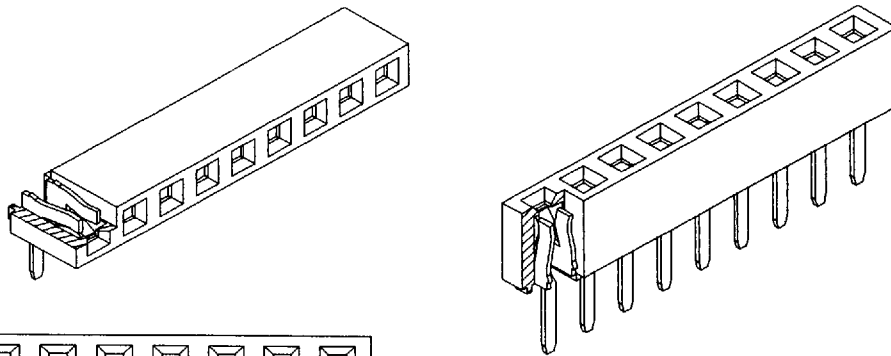
2213 Series

## APPLICATION AND FEATURES

1. Low profile 5mm height.
2. Designed for parallel and vertical board stacking.
3. Dual-beam folded contact and low insertion force.
4. Standoffs facilitate post soldering clean.
5. Single row 02 to 40 contacts.

## SPECIFICATIONS

Current Rating:	3 Amps
Insulator resistance:	5000 Megohms Min.
Contact resistance:	20 m ohm Max.
Dielectric withstanding:	AC 500 V
Operating Temperature:	-40°C to +105°C
Contact Material:	Phosphor bronze
Insulator Material:	Polyester, UL 94V-0



## Order Information 2213 Series

Example: 2213-34-S-02

Series No.	Number of Contacts	Connector Type	Contact Plating
2213	02 to 40 Contacts	Straight <b>S</b>	Tin Plated <b>01</b>
		Right Angle <b>R</b>	Gold Plated
			Flash <b>02</b>
			10 μ" <b>10</b>
			.30 μ" <b>30</b>

SINGATRON ENT. CO., LTD. Tel.: (909) 464-1883 Fax.: (909) 464-1884

9011184 0000073 T13