

**PART NUMBER CODING**

C S N

**INSULATOR MATERIAL**

P= PBT  
OPERATING TEMP: -65°C TO +125°C  
PROCESSING TEMP: 260°C FOR 10 SECS MAX

G= PA9T

OPERATING TEMP: -65°C TO +150°C  
PROCESSING TEMP: 260°C FOR 120 SECS MAX

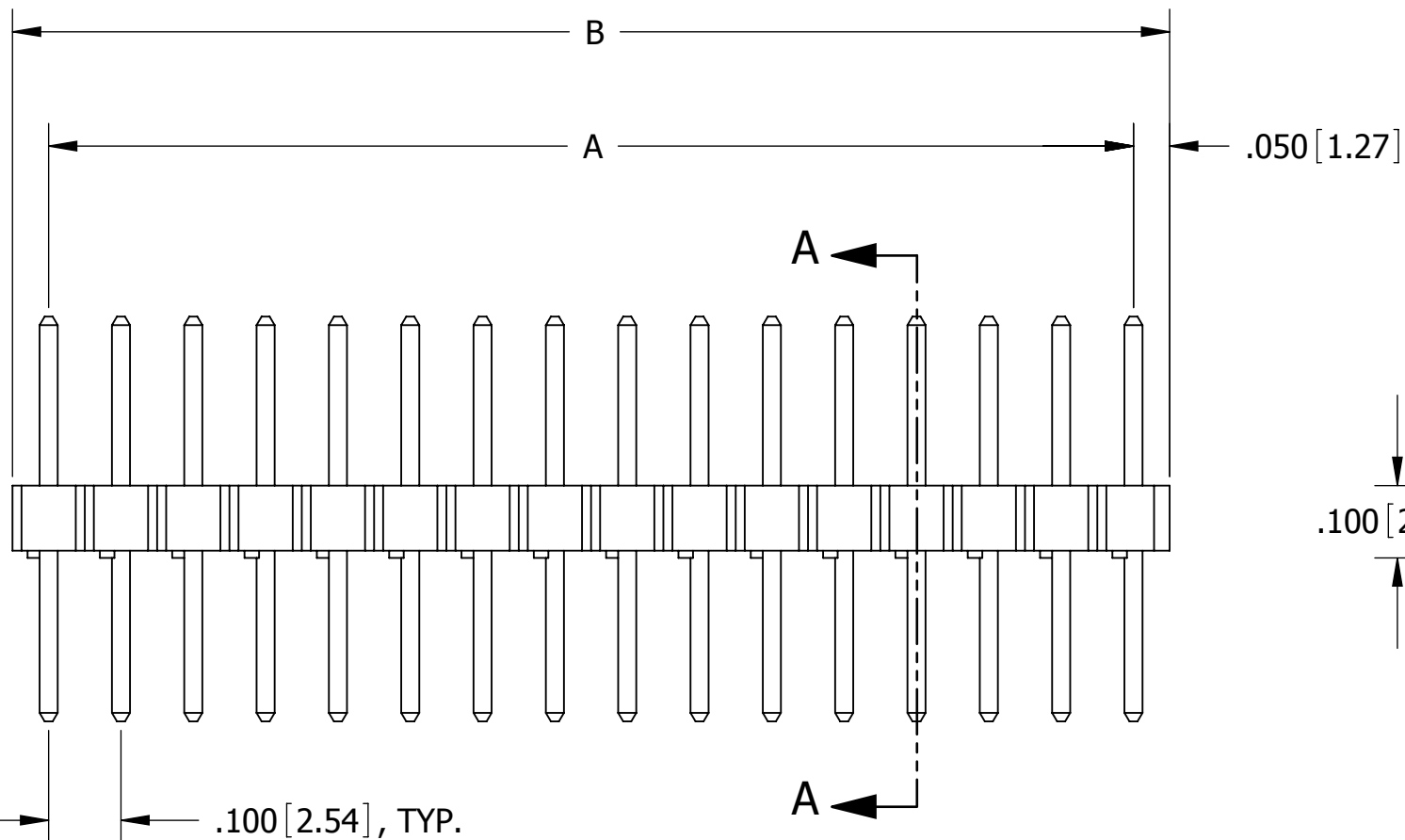
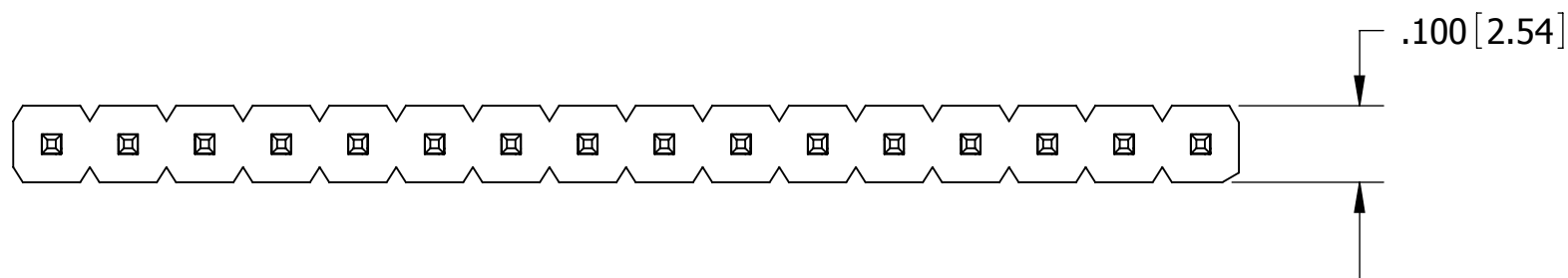
**TERMINATION TYPE**

**NUMBER OF POSITIONS PER ROW**  
(01 THRU 36)

**PLATING**

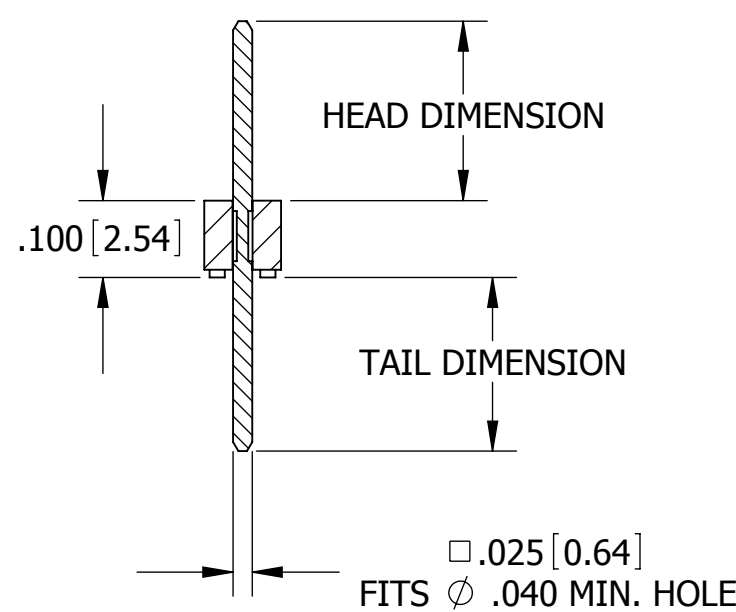
ALL PLATINGS HAVE .000050" NICKEL UNDERPLATE

CONTACT SURFACE	TERMINATION
B = .000010" GOLD	.000100" PURE TIN, MATTE
C = .000030" GOLD	.000100" PURE TIN, MATTE
E = .000100" PURE TIN, MATTE OVERALL	



**G \_ C \_ \_ S \_ \_ N ; P \_ C \_ \_ S \_ \_ N**

**STRAIGHT**



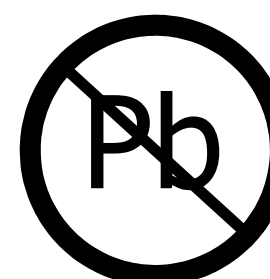
**SECTION A-A**

REVISIONS				
REV.	ECO. NO	DESCRIPTION	DATE	BY
A	572	INITIAL RELEASE	3/21/05	AN
B	1144	ADD ALL TERMINATION TYPES	9/14/2006	MV
C	2078	UPDATE TEMPERATURE TO 150°C FOR 'G' MTL, CORRECT NOTE 6 & 7, ADD NEW TERMINATION TYPES AI, AJ, AK, FF, FG, FH, FI, FJ, ZB, ZI, ZJ, ZO, ZQ, ZR, COMBINED 'P' MTL IN P/N CODING (DWG 10640 OBSOLETE)	11/12/2009	JH

TERMINATION TYPE		
STRAIGHT		
CODE	HEAD DIMENSION ±.008 [0.20]	TAIL DIMENSION ±.010 [0.25]
AA	.230[5.84]	.120[3.05]
AB	.230[5.84]	.230[5.84]
AC	.230[5.84]	.320[8.13]
AD	.230[5.84]	.420[10.67]
AE	.230[5.84]	.520[13.21]
AF	.230[5.84]	.620[15.75]
AG	.230[5.84]	.720[18.29]
AH	.230[5.84]	.820[20.83]
AI	.230[5.84]	.900[22.86]
AJ	.230[5.84]	1.000[25.40]
AK	.230[5.84]	.035[0.89]
FA	.318[8.08]	.120[3.05]
FB	.318[8.08]	.220[5.59]
FC	.318[8.08]	.320[8.13]
FD	.318[8.08]	.420[10.67]
FE	.318[8.08]	.520[13.21]
FF	.318[8.08]	.620[15.75]
FG	.318[8.08]	.710[18.29]
FH	.318[8.08]	.810[20.83]
FI	.318[8.08]	.910[23.37]
FJ	.318[8.08]	.050[1.27]
ZA	.120[3.05]	.120[3.05]
ZB	.120[3.05]	.095[2.41]
ZC	.120[3.05]	.260[6.60]
ZD	.120[3.05]	.610[15.49]
ZI	.520[13.21]	.110[2.79]
ZJ	.720[18.29]	.110[2.79]
ZO	.820[20.83]	.110[2.79]
ZQ	1.020[25.91]	.110[2.79]
ZR	1.220[30.99]	.110[2.79]

PART NUMBER	A		B	
	INCH ± .008	MM ± 0.20	INCH ± .020	MM ± 0.51
_C01S_ _N	0.000	0.00	0.100	2.54
_C02S_ _N	0.100	2.54	0.200	5.08
_C03S_ _N	0.200	5.08	0.300	7.62
_C04S_ _N	0.300	7.62	0.400	10.16
_C05S_ _N	0.400	10.16	0.500	12.70
_C06S_ _N	0.500	12.70	0.600	15.24
_C07S_ _N	0.600	15.24	0.700	17.78
_C08S_ _N	0.700	17.78	0.800	20.32
_C09S_ _N	0.800	20.32	0.900	22.86
_C10S_ _N	0.900	22.86	1.000	25.40
_C11S_ _N	1.000	25.40	1.100	27.94
_C12S_ _N	1.100	27.94	1.200	30.48
_C13S_ _N	1.200	30.48	1.300	33.02
_C14S_ _N	1.300	33.02	1.400	35.56
_C15S_ _N	1.400	35.56	1.500	38.10
_C16S_ _N	1.500	38.10	1.600	40.64
_C17S_ _N	1.600	40.64	1.700	43.18
_C18S_ _N	1.700	43.18	1.800	45.72
_C19S_ _N	1.800	45.72	1.900	48.26
_C20S_ _N	1.900	48.26	2.000	50.80
_C21S_ _N	2.000	50.80	2.100	53.34
_C22S_ _N	2.100	53.34	2.200	55.88
_C23S_ _N	2.200	55.88	2.300	58.42
_C24S_ _N	2.300	58.42	2.400	60.96
_C25S_ _N	2.400	60.96	2.500	63.50
_C26S_ _N	2.500	63.50	2.600	66.04
_C27S_ _N	2.600	66.04	2.700	68.58
_C28S_ _N	2.700	68.58	2.800	71.12
_C29S_ _N	2.800	71.12	2.900	73.66
_C30S_ _N	2.900	73.66	3.000	76.20
_C31S_ _N	3.000	76.20	3.100	78.74
_C32S_ _N	3.100	78.74	3.200	81.28
_C33S_ _N	3.200	81.28	3.300	83.82
_C34S_ _N	3.300	83.82	3.400	86.36
_C35S_ _N	3.400	86.36	3.500	88.90
_C36S_ _N	3.500	88.90	3.600	91.44

- NOTES:**
- INSULATOR MATERIAL: SEE PART NUMBER CODING
  - CONTACT MATERIAL: PHOSPHOR BRONZE
  - PLATING: SEE PART NUMBER CODING
  - UL FLAMMABILITY RATING: 94V-0
  - VOLTAGE RATING: 600 VDC MINIMUM AT SEA LEVEL.
  - CURRENT RATING: 3 AMPS
  - CONTACT RESISTANCE: 30 MILLIOHMS MAX.
  - INSULATION RESISTANCE: 5000 MEGOHMS MIN.
  - MOISTURE SENSITIVITY LEVEL= 1



**RoHS COMPLIANT**

UNLESS OTHERWISE SPECIFIED:  
DIMENSIONS ARE IN INCHES[MM]  
TOLERANCES:  
ANGULAR: ± 30'  
PROPRIETARY INFORMATION OF SULLINS ELECTRONICS AND IS NOT TO BE REPRODUCED, USED OR DISCLOSED TO OTHERS FOR ANY PURPOSE EXCEPT AS SPECIFICALLY AUTHORIZED IN WRITING BY AN OFFICER OF SULLINS ELECTRONICS.  
INTERPRET DIMENSIONS AND GEOMETRIC TOLERANCING PER: ANSI Y14.5M-1994

DRAWN	DATE	NAME
		Aria
THE INFORMATION HEREIN CONTAINS PROPRIETARY INFORMATION OF SULLINS ELECTRONICS AND IS NOT TO BE REPRODUCED, USED OR DISCLOSED TO OTHERS FOR ANY PURPOSE EXCEPT AS SPECIFICALLY AUTHORIZED IN WRITING BY AN OFFICER OF SULLINS ELECTRONICS.		

<b>SULLINS</b> CONNECTOR SOLUTIONS	
DESCRIPTION 100" CC, HEADER, STRAIGHT	
PART NUMBER G _ C _ _ S _ _ N ; P _ C _ _ S _ _ N	
SIZE C	DWG. NO. C10436
SCALE: 4:1	REV C
SHEET 1 OF 1	

**CUSTOMER COPY**