

INTERCONNECTS

SERIES 800 & 801 • 2,54 GRID (0,76 DIA. PINS), STRAIGHT & RIGHT ANGLE HEADERS AND SOCKETS • SINGLE ROW STRIPS

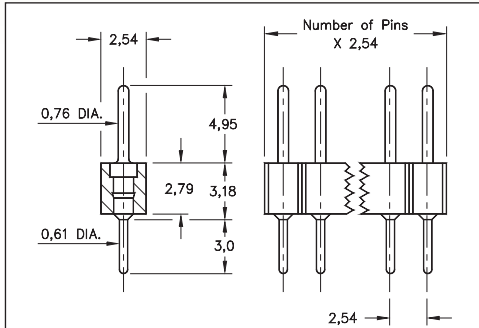


FIG. 1

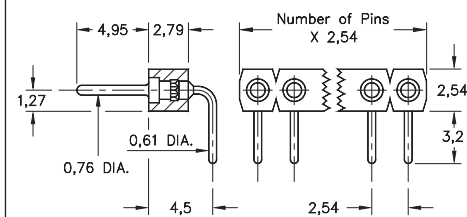


FIG. 2

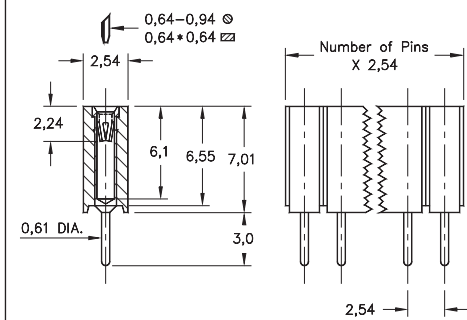


FIG. 3

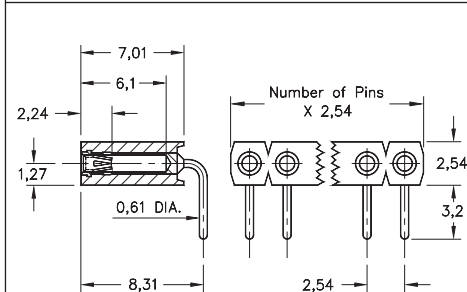
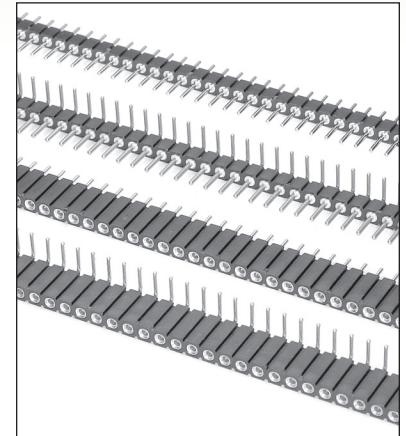


FIG. 4

- Pin interconnects available with straight MM #7007 or right angle MM #5005 solder tails. See page 215 for details
- Sockets are available with straight MM #1304 or right angle MM #1305 soldertails. See pages 177 and 179 for details
- MM #1304 and MM #1305 receptacles use Hi-Rel, 6-finger BeCu #47 contact rated at 4.5 amps. Receptacles accept 0,76 diameter and 0,64 square pins. See page 256 for details
- Insulators are high temperature thermoplastic, suitable for all soldering operations



ORDERING INFORMATION

FIG. 1	Series 800...10-001	Straight Pin Header		
	800-XX-0	-10-001000	Specify number of pins → 01-64	
FIG. 2	Series 800...20-001	Right Angle Pin Header		
	800-XX-0	-20-001000	Specify number of pins → 02-64	
XX=Plating Code See Below For Electrical, Mechanical & Environmental Data, See page 264				
SPECIFY PLATING CODE XX=		10	90	40
Pin Plating		0,25µm Au	5,08µm Sn/Pb	5,08µm Sn

FIG. 3	Series 801...10-001	Straight Socket					
	801-XX-0	-10-001000	Specify number of pins → 01-50				
FIG. 4	Series 801...20-001	Right Angle Socket					
	801-XX-0	-20-001000	Specify number of pins → 01-50				
XX=Plating Code See Below For Electrical, Mechanical & Environmental Data, See page 264							
SPECIFY PLATING CODE XX=		91	93	99	41	43	44
Sleeve (Pin)		5,08µm Sn/Pb	5,08µm Sn/Pb	5,08µm Sn/Pb	5,08µm Sn	5,08µm Sn	5,08µm Sn
Contact (Clip)		0,25µm Au	0,76µm Au	2,54µm Sn/Pb	0,25µm Au	0,76µm Au	2,54µm Sn

★ 44 Plating Non-Standard

