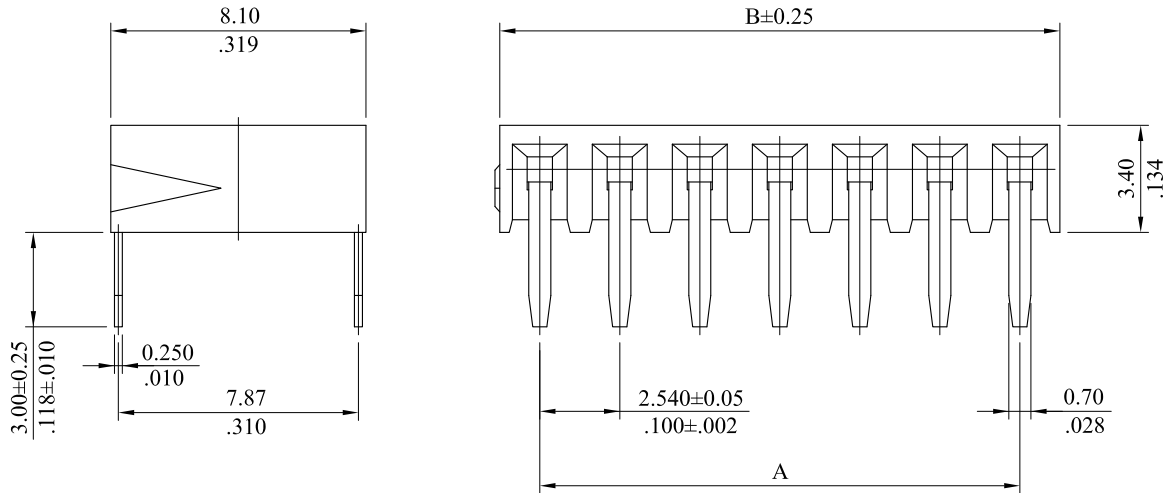


Material:

Insulator: PBT, UL 94V-0, Color: Black

Contact: Phosphor Bronze

RoHS COMPLIANT



| Circuits | Dim.A        | Dim.B        | Circuits | Dim.A        | Dim.B        |
|----------|--------------|--------------|----------|--------------|--------------|
| 03       | 5.08(.200)   | 7.62(.300)   | 22       | 53.34(2.100) | 55.88(2.200) |
| 04       | 7.62(.300)   | 10.16(.400)  | 23       | 55.88(2.200) | 58.42(2.300) |
| 05       | 10.16(.400)  | 12.70(.500)  | 24       | 58.42(2.300) | 60.96(2.400) |
| 06       | 12.70(.500)  | 15.24(.600)  | 25       | 60.96(2.400) | 63.50(2.500) |
| 07       | 15.24(.600)  | 17.78(.700)  | 26       | 63.50(2.500) | 66.04(2.600) |
| 08       | 17.78(.700)  | 20.32(.800)  | 27       | 66.04(2.600) | 68.58(2.700) |
| 09       | 20.32(.800)  | 22.86(.900)  | 28       | 68.58(2.700) | 71.12(2.800) |
| 10       | 22.86(.900)  | 25.40(1.000) | 29       | 71.12(2.800) | 73.66(2.900) |
| 11       | 25.40(1.000) | 27.94(1.100) | 30       | 73.66(2.900) | 76.20(3.000) |
| 12       | 27.94(1.100) | 30.48(1.200) | 31       | 76.20(3.000) | 78.74(3.100) |
| 13       | 30.48(1.200) | 33.02(1.300) | 32       | 78.74(3.100) | 81.28(3.200) |
| 14       | 33.02(1.300) | 35.56(1.400) | 33       | 81.28(3.200) | 83.82(3.300) |
| 15       | 35.56(1.400) | 38.10(1.500) | 34       | 83.82(3.300) | 86.36(3.400) |
| 16       | 38.10(1.500) | 40.64(1.600) | 35       | 86.36(3.400) | 88.90(3.500) |
| 17       | 40.64(1.600) | 43.18(1.700) | 36       | 88.90(3.500) | 91.44(3.600) |
| 18       | 43.18(1.700) | 45.72(1.800) | 37       | 91.44(3.600) | 93.98(3.700) |
| 19       | 45.72(1.800) | 48.26(1.900) | 38       | 93.98(3.700) | 96.52(3.800) |
| 20       | 48.26(1.900) | 50.80(2.000) | 39       | 96.52(3.800) | 99.06(3.900) |
| 21       | 50.80(2.000) | 53.34(2.100) | 40       | 99.06(3.900) | 101.6(4.000) |

|      |          |      |      |                          |   |           |             |              |       |      |       |      |
|------|----------|------|------|--------------------------|---|-----------|-------------|--------------|-------|------|-------|------|
| F    | ES101242 |      |      | <b>LEOCO CORPORATION</b> | APPROVED:                                 | PART NO.: |             |              |       |      |       |      |
| E    | ES071009 |      |      |                          | GENERAL TOLERANCES:<br>(UNLESS SPECIFIED) | DATE:     | 2554S***000 |              |       |      |       |      |
| D    | ES050740 |      |      | mm                       | inch                                      | CHECKED:  | TITLE:      |              |       |      |       |      |
| C    | E980201  |      |      | 1 PLACE                  | ± 0.30                                    | ± --      | DATE:       | Connector    |       |      |       |      |
| A    | DWG REL  |      |      | 2 PLACES                 | ± 0.20                                    | ± .012    | DRAWN:      | DRAWING NO.: |       |      |       |      |
| REV. | ECO. NO. | CHG. | APP. | 3 PLACES                 | ± 0.10                                    | ± .008    | DATE:       | 255401S      |       |      |       |      |
|      |          |      |      | 4 PLACES                 | ± --                                      | ± .004    |             | UNITS        | SCALE | SIZE | SHEET | REV. |
|      |          |      |      | ANGULAR ± ( 1° )         |   | mm        |             | 4:1          | A4    | 1/2  | F     |      |
|      |          |      |      |                          | inch                                      |           |             |              |       |      |       |      |

Ordering Information:

2554 S \*\*\* 000  
 $\frac{1}{1} \frac{2}{2}$

RoHS COMPLIANT

1. No. of Circuits

03= 3 Circuits

2. Plating:

T= Tin plated 120μ " min over 30μ " min. nickel overall

U= Gold flash over 30μ "min. nickel overall

W= 15μ "min. gold over 30μ " min. nickel overall

Z= 30μ "min. gold over 30μ " min. nickel overall

Specifications:

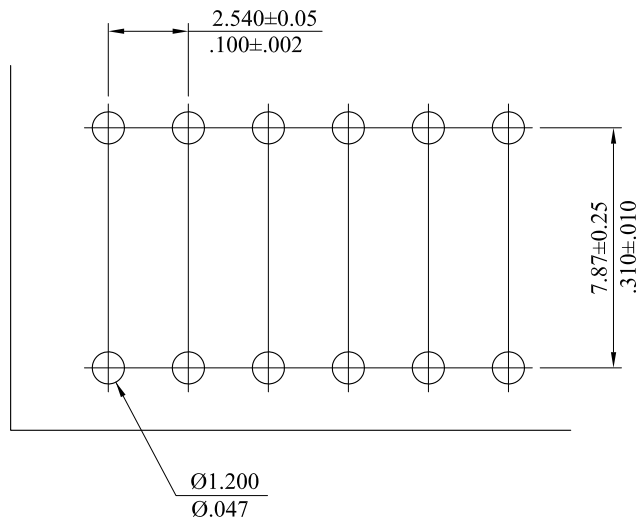
Current Rating: 3 Amps

Contact Resistance: 20 mΩ Max.

Insulation Resistance: 5000 MΩ Min.

Dielectric Withstanding Voltage: AC 500 V(r.m.s.) for one minute

Operating Temperature: -40°C to +105°C



Recommended Hole Pattern

| F        | ES101242 |        |      | <b>LEOCO CORPORATION</b>  | APPROVED:                                 | PART NO.:         |             |      |         |        |      |          |        |        |          |        |        |          |      |        |          |        |  |  |
|----------|----------|--------|------|---|---|-------------------|-------------|------|---------|--------|------|----------|--------|--------|----------|--------|--------|----------|------|--------|----------|--------|--|--|
| E        | ES071009 |        |      |   | GENERAL TOLERANCES:<br>(UNLESS SPECIFIED) | DATE:             | 2554S***000 |      |         |        |      |          |        |        |          |        |        |          |      |        |          |        |  |  |
| D        | ES050740 |        |      | <table border="1"> <thead> <tr> <th></th> <th>mm</th> <th>inch</th> </tr> </thead> <tbody> <tr> <td>1 PLACE</td> <td>± 0.30</td> <td>± --</td> </tr> <tr> <td>2 PLACES</td> <td>± 0.20</td> <td>± .012</td> </tr> <tr> <td>3 PLACES</td> <td>± 0.10</td> <td>± .008</td> </tr> <tr> <td>4 PLACES</td> <td>± --</td> <td>± .004</td> </tr> </tbody> </table> |   |                   | mm          | inch | 1 PLACE | ± 0.30 | ± -- | 2 PLACES | ± 0.20 | ± .012 | 3 PLACES | ± 0.10 | ± .008 | 4 PLACES | ± -- | ± .004 | CHECKED: | TITLE: |  |  |
|          | mm       | inch   |      |   |   |                   |             |      |         |        |      |          |        |        |          |        |        |          |      |        |          |        |  |  |
| 1 PLACE  | ± 0.30   | ± --   |      |   |   |                   |             |      |         |        |      |          |        |        |          |        |        |          |      |        |          |        |  |  |
| 2 PLACES | ± 0.20   | ± .012 |      |   |   |                   |             |      |         |        |      |          |        |        |          |        |        |          |      |        |          |        |  |  |
| 3 PLACES | ± 0.10   | ± .008 |      |   |   |                   |             |      |         |        |      |          |        |        |          |        |        |          |      |        |          |        |  |  |
| 4 PLACES | ± --     | ± .004 |      |   |   |                   |             |      |         |        |      |          |        |        |          |        |        |          |      |        |          |        |  |  |
| C        | E980201  |        |      |   | DATE:                                     | Connector         |             |      |         |        |      |          |        |        |          |        |        |          |      |        |          |        |  |  |
| A        | DWG REL  |        |      |   | DRAWN:                                    | DRAWING NO.:      |             |      |         |        |      |          |        |        |          |        |        |          |      |        |          |        |  |  |
| REV.     | ECO. NO. | CHG.   | APP. | ANGULAR ± ( 1° )  | DATE:                                     | 255401S           |             |      |         |        |      |          |        |        |          |        |        |          |      |        |          |        |  |  |
|          |          |        |      |   |   | UNITS             | SCALE       | SIZE | SHEET   | REV.   |      |          |        |        |          |        |        |          |      |        |          |        |  |  |
|          |          |        |      |   |   | $\frac{mm}{inch}$ | 4:1         | A4   | 2/2     | F      |      |          |        |        |          |        |        |          |      |        |          |        |  |  |