

THIS DRAWING IS UNPUBLISHED. RELEASED FOR PUBLICATION .19
 (C) COPYRIGHT 19 BY AMP INCORPORATED. ALL RIGHTS RESERVED.

LOC	DIST	REVISIONS					
		P	LTR	DESCRIPTION	DATE	DWN	APVD
AD	39	0		RELEASED	07 FEB 00	-	-

1 HOUSING: THERMOPLASTIC, BLACK, UL 94V-0 RATED.
 CONTACTS: PHOSPHOR BRONZE.

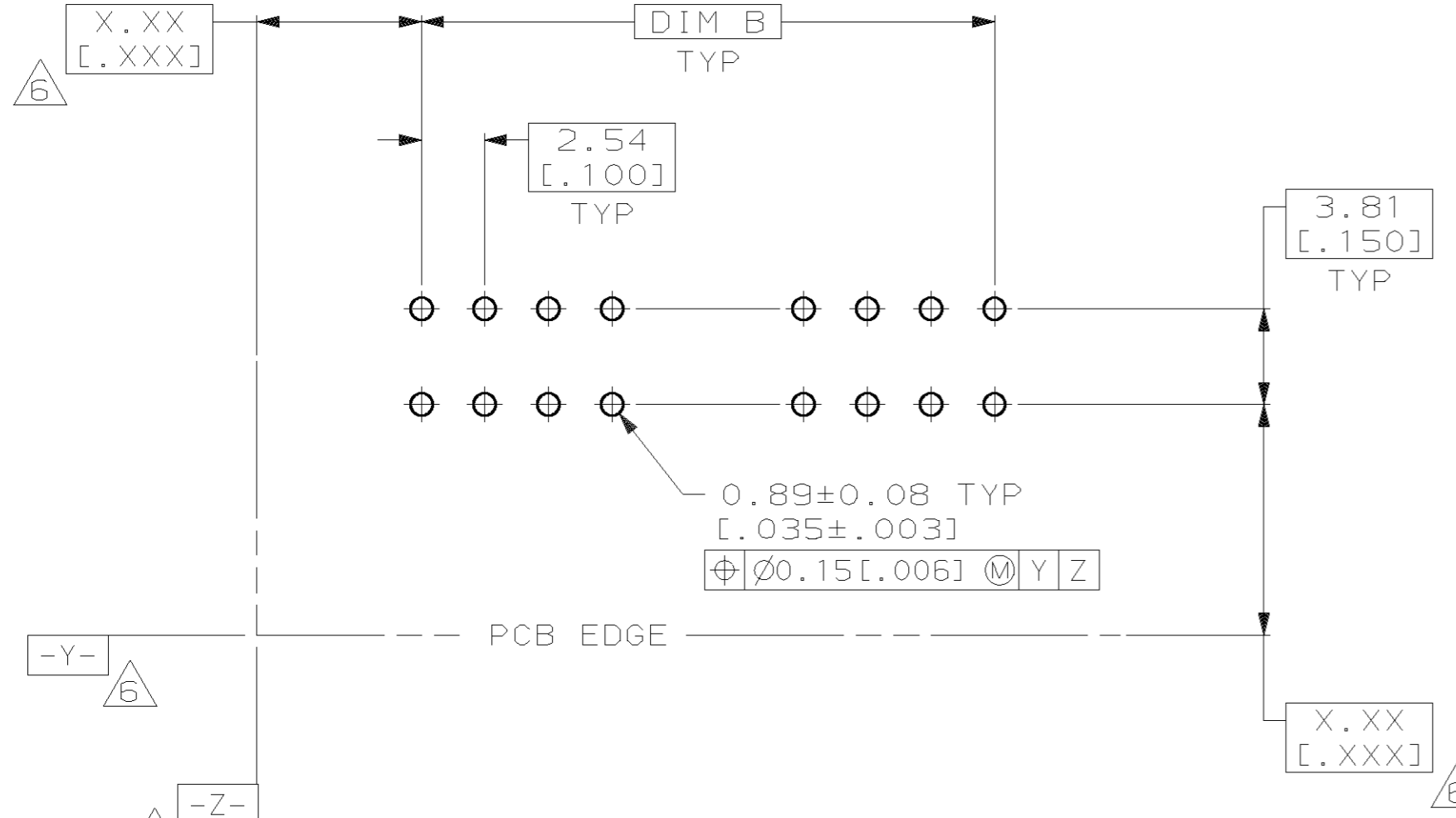
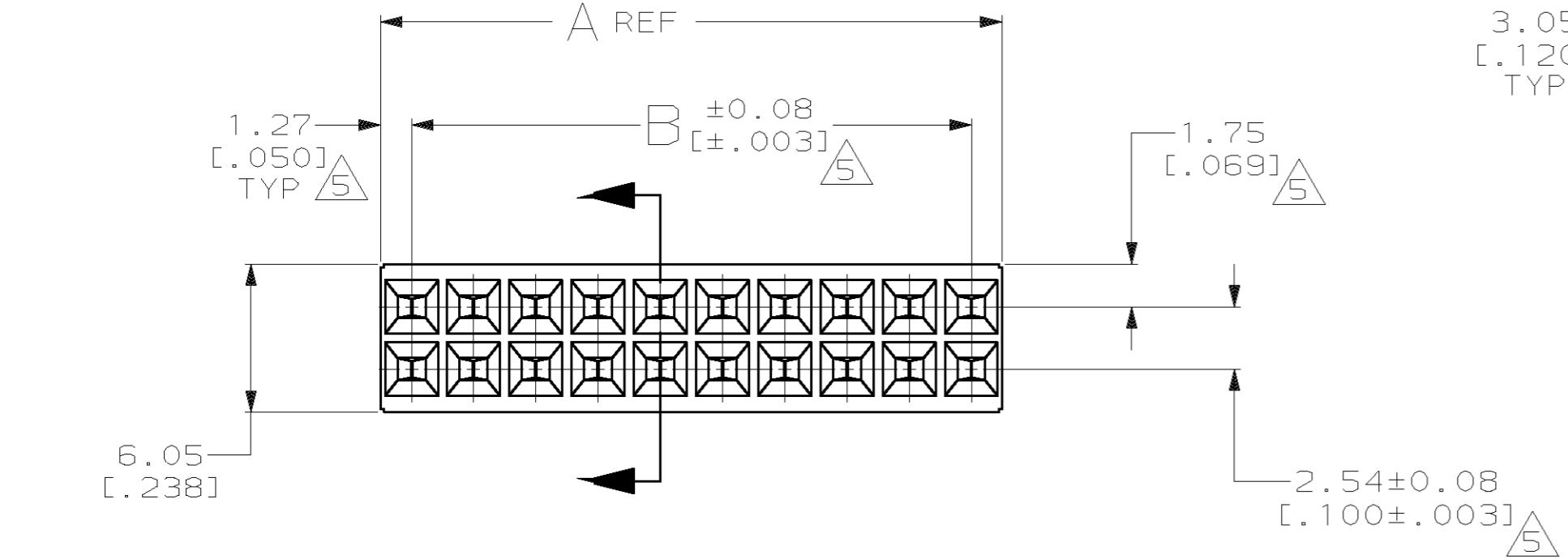
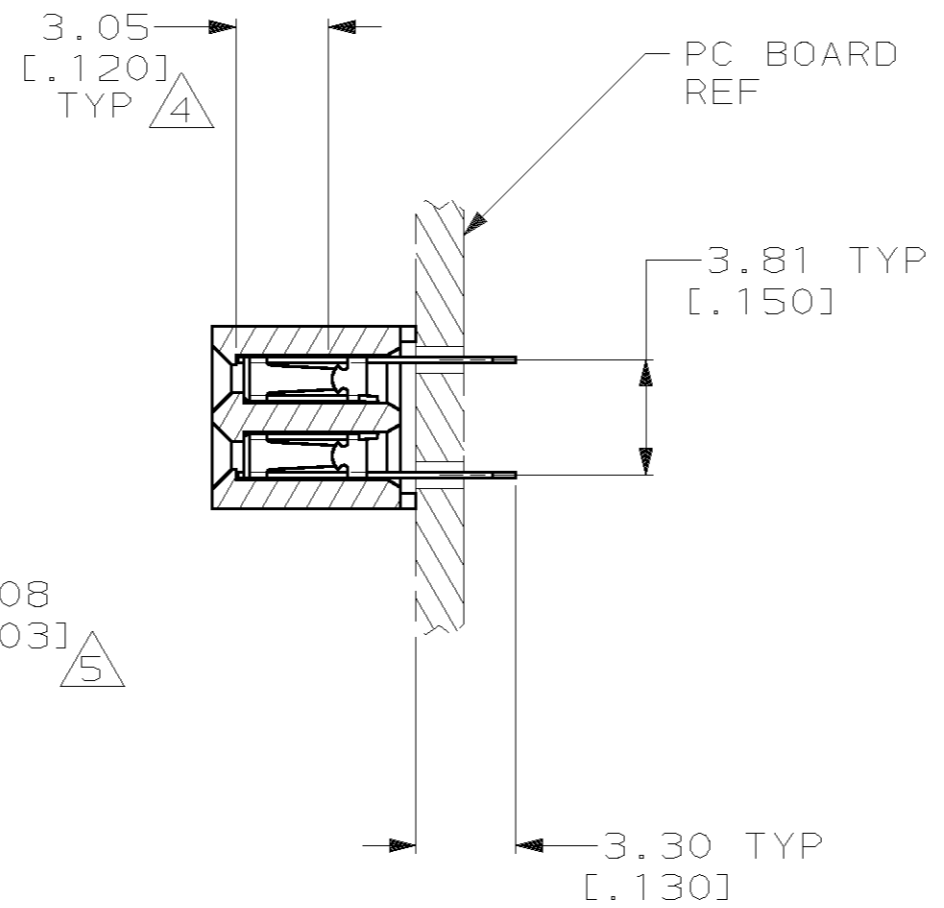
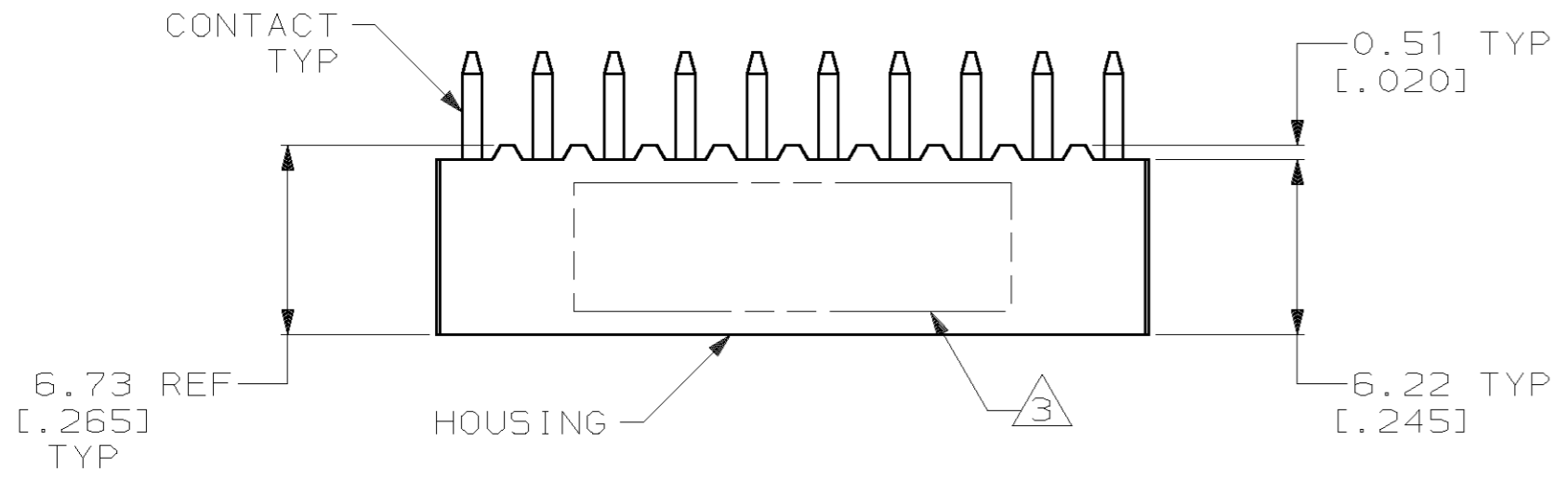
2 CONTACTS: 0.38µm [.000015] MIN GOLD ON CONTACT AREA ONLY,
 2.54µm [.000100] MIN TIN-LEAD ON SOLDER TINES,
 ALL OVER 1.27µm [.000050] MIN NICKEL.

3 AMP, CSA LOGO, DATE CODE AND AMP PART NUMBER MARKED IN
 APPROXIMATE LOCATION SHOWN, AS POSITION SIZE PERMITS,
 ORDER AND LOCATION OPTIONAL.

4 POINT OF MEASUREMENT FOR PLATING THICKNESS,
 MEASURED INSIDE CONTACT BEAMS.

5 DIMENSION APPLIES TO HOUSING CAVITY CENTERLINES ONLY.

6 DATUMS AND BASIC DIMENSIONS ESTABLISHED BY CUSTOMER.



RECOMMENDED PC BOARD LAYOUT
 PC BOARD THICKNESS 1.57 [.062]

99.06 [3.900]	101.60 [4.000]	80	4-147095-0
96.52 [3.800]	99.06 [3.900]	78	3-147095-9
93.98 [3.700]	96.52 [3.800]	76	3-147095-8
91.44 [3.600]	93.98 [3.700]	74	3-147095-7
88.90 [3.500]	91.44 [3.600]	72	3-147095-6
86.36 [3.400]	88.90 [3.500]	70	3-147095-5
83.82 [3.300]	86.36 [3.400]	68	3-147095-4
81.28 [3.200]	83.82 [3.300]	66	3-147095-3
78.74 [3.100]	81.28 [3.200]	64	3-147095-2
76.20 [3.000]	78.74 [3.100]	62	3-147095-1
73.66 [2.900]	76.20 [3.000]	60	3-147095-0
71.12 [2.800]	73.66 [2.900]	58	2-147095-9
68.58 [2.700]	71.12 [2.800]	56	2-147095-8
66.04 [2.600]	68.58 [2.700]	54	2-147095-7
63.50 [2.500]	66.04 [2.600]	52	2-147095-6
60.96 [2.400]	63.50 [2.500]	50	2-147095-5
58.42 [2.300]	60.96 [2.400]	48	2-147095-4
55.88 [2.200]	58.42 [2.300]	46	2-147095-3
53.34 [2.100]	55.88 [2.200]	44	2-147095-2
50.80 [2.000]	53.34 [2.100]	42	2-147095-1
48.26 [1.900]	50.80 [2.000]	40	2-147095-0
45.72 [1.800]	48.26 [1.900]	38	1-147095-9
43.18 [1.700]	45.72 [1.800]	36	1-147095-8
40.64 [1.600]	43.18 [1.700]	34	1-147095-7
38.10 [1.500]	40.64 [1.600]	32	1-147095-6
35.56 [1.400]	38.10 [1.500]	30	1-147095-5
33.02 [1.300]	35.56 [1.400]	28	1-147095-4
30.48 [1.200]	33.02 [1.300]	26	1-147095-3
27.94 [1.100]	30.48 [1.200]	24	1-147095-2
25.40 [1.000]	27.94 [1.100]	22	1-147095-1
22.86 [.900]	25.40 [1.000]	20	1-147095-0
20.32 [.800]	22.86 [.900]	18	147095-9
17.78 [.700]	20.32 [.800]	16	147095-8
15.24 [.600]	17.78 [.700]	14	147095-7
12.70 [.500]	15.24 [.600]	12	147095-6
10.16 [.400]	12.70 [.500]	10	147095-5
7.62 [.300]	10.16 [.400]	8	147095-4
5.08 [.200]	7.62 [.300]	6	147095-3
2.54 [.100]	5.08 [.200]	4	147095-2
-	2.54 [.100]	2	147095-1

B	A	NO OF POSN	PART NUMBER
---	---	------------	-------------

THIS DRAWING IS A CONTROLLED DOCUMENT.

DWN D.HARDY 07 FEB 00	AMP Incorporated Harrisburg, PA 17105-3608					
CHK J.OLSON 15 FEB 00						
APVD J.OLSON 15 FEB 00						
NAME RECEPTACLE ASSEMBLY, MOD IV, DOUBLE ROW, CLOSED ENTRY, .100X.100¢, VERTICAL MOUNT, AMPMODU™						
DIMENSIONS: mm [INCHES]	TOLERANCES UNLESS OTHERWISE SPECIFIED:	PRODUCT SPEC 108-25022	SIZE A2	CAGE CODE 00779	DRAWING NO 147095	RESTRICTED TO -
0 PLC ±-	1 PLC ±-	APPLICATION SPEC 114-25018	WEIGHT -	SCALE 4:1	SHEET 1 OF 1	REV 0
2 PLC ±0.13 [.005]	3 PLC ±-	MATERIAL 1	CUSTOMER DRAWING			
4 PLC ±-	ANGLES ±-	FINISH 2				

- [Home](#)
- [Part Number Search](#)
- [Text Search](#)
- [Alternate Part Search](#)
- [Multiple Part Comparison](#)
- [Alphabetical Search](#)
- [Brand Search](#)
- [Industry Product Search](#)
- [Product Type Search](#)
- [Product Family Search](#)
- [Competitor Cross Reference](#)
- [Document Number Search](#)
- [Lead Free Solutions](#)
- [Help/Glossary](#)

Current Brand View	View All Tyco Electronics Brands <small>Click to activate links to all other products</small>
AMP	

AMPMODU
.100 & .150 Centerline Receptacle Assemblies, End Stackable
AMP **147095-1** -- 6 of 7 products Active [Active](#)
(Tyco Electronics P/N: 147095-1)

Previous	Next	Sales Information	AMP ACES	Step Search Screen
			Related Documents	General Information
			Pricing	Product Availability

Please use the customer drawing for all design activity.

- **Customer Drawing: 147095**, Rev. O
 Document Title: RECEPTACLE ASSEMBLY, MOD IV,
 DOUBLE ROW, CLOSED ENTRY, .100X.100 CL,
 VERTICAL MOUNT, AMPMODU
206950.pdf [206950.pdf](#) (84K)

The photographs and/or line drawings below are representative images of a product for viewing purposes only.

[Product Photo](#)

Searchable Features:

Brand:	AMP
No. of Positions:	2
No. of Rows:	Dual
Profile:	Low
Mount Angle:	Vertical
Mounting Pattern (mm [in]):	2.54 x 3.81 [.100 x .150]
Military Qualification:	No
Contact Mating Area Plating:	Gold (15) min.
Housing Entry Style:	Top
Closed Entry:	Yes
Side Stackable:	No
High Temperature Compatible:	No
Connector Series:	Mod. IV
Termination Post Length (mm [in]):	3.30 [.130]
Solder Tail Plating:	Tin-Lead over Nickel

Other Properties:

Centerline Spacing (mm [in]):	2.54 x 2.54 [.100 x .100]
Board Standoff:	With
Housing Material:	Thermoplastic
Housing Flammability Rating:	UL 94V-0
Housing Color:	Black
Contact Material:	Phosphor Bronze
Packaging Method:	Gang of Tubes
Comment:	AMP Trademark, Part Number and Date Code stamped on housing where size permits.

[Copyright](#) and [Privacy Statement](#)

Visit [Tyco International, Ltd.](#)

[Products](#) | [Brands](#) | [Industries](#) | [Customer Service](#) | [About](#) | [Home](#)