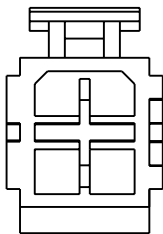
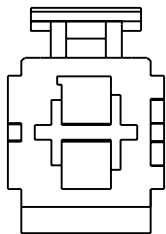
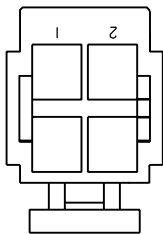
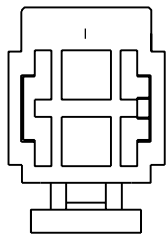


CKT. SIZE	ENG. NO.	EDP. NO.	DIM. "A"	DIM. "B"
02	30067-02A3	NOT TOOLED	—	.467 (11.86)
04	30067-04A3	15-97-5043	.165 (4.20)	.467 (11.86)
06	30067-06A3	NOT TOOLED	.331 (8.40)	.633 (16.08)
04	30067-04B3	NOT TOOLED	.165 (4.20)	.467 (11.86)

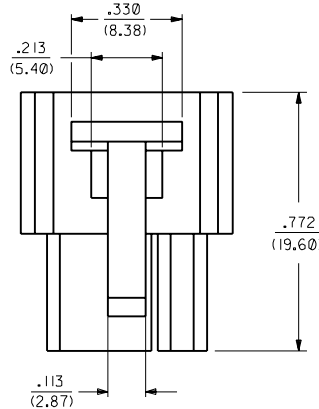
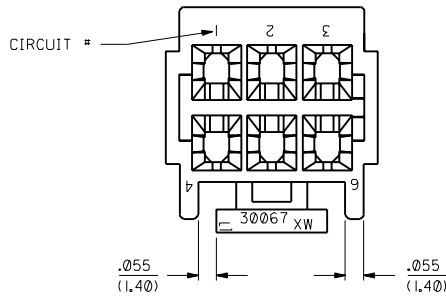
LEGEND:

30067 - ** * 3
 CIRCUIT SIZE (02-06)
 HOUSING COLOR
 A = MOLDED BLACK
 B = MOLDED SAFETY YELLOW

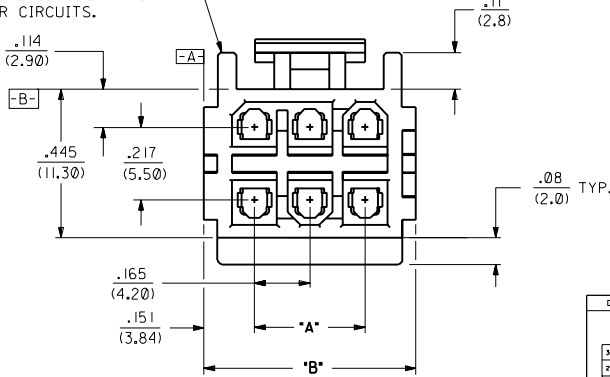


2 CKT.
(SCALE: 2X)

4 CKT.
(SCALE: 2X)

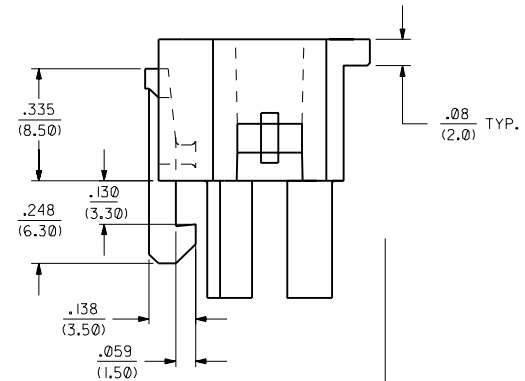


PROTECTIVE SIDES TO BE PROVIDED EXCEPT ON TWO AND FOUR CIRCUITS.



NOTES:

- MATERIAL: UNFILLED POLYESTER, U.L. 94V-0.
HOUSING COLOR:
A = MOLDED BLACK
B = MOLDED SAFETY YELLOW
- HOUSING TO BE USED WITH TERMINAL #5556, AND T.P.A. LOCK # 30072-*
- RECEPTACLE HOUSING TO MATE WITH PLUG HOUSING #30068, ST. HEADER #30069, AND RT. ANGLE HEADERS #30070 & #44483.
- HOUSING ACCEPTS CONNECTOR POSITIONING ASSURANCE (C.P.A.) LOCK # 30071.
- SEE PRODUCT SPECIFICATION # PSX-5556-0003.



REV.	NOTE
3	REV. UG0813 SEP 1-16-96
2	ADDED -04B3 ECN U5140 SEP 3-15-95
1	FINAL RELEASE PER ECN U40100 94-1-24 RJF
2	REV. LATCH RADII ECN #U31816 93-12-15 A.GUZIK
1	X-RELEASE PER ECN #U31342 93-09-09 A.GUZIK

DIMENSIONS SHOWN METRIC (INCH UNLESS OTHERWISE SPECIFIED TOLERANCES: ANGULAR ± 1/2°)		REVISE ONLY ON CAD SYSTEM	
INCH	METRIC	TITLE	DATE
3 PLACE ± .010	---	2-6 CKT. RECEPT. HOUSING MINI-FIT T.P.A. SERIES W/O SIDE TABS	93/09/09
2 PLACE ± .014	± 0.25		
1 PLACE ---	± 0.36		
DRAFT WHERE APPLICABLE MUST REMAIN WITHIN DIMENSIONS		SHEET NO. 1 OF 1	
PART NO. L15LJLL 60532		DATE 93/09/09	
MOLEX INCORPORATED U.S.A.		REV. LTR. REVISIONS	
DRAWN BY: AFG		DRAWING NO. SD-30067-***3	
CHKD. BY: RJF		FILE NAME: 5300673X1.DWG	
APP'D. BY: RJF		SCALE: 4 : 1	
THIS DRAWING CONTAINS INFORMATION THAT IS PROPRIETARY TO MOLEX INC. AND SHOULD NOT BE USED WITHOUT WRITTEN PERMISSION.		DIV. CP	