

# .079" (2.00mm) 2001 SERIES CRIMP TERMINAL HOUSING

## SPECIFICATION

- \* Current Rating:  
2 A
- \* Withstanding Voltage:  
800 VAC ( 1 min.)
- \* Insulation Resistance:  
1000 MΩ min.
- \* Contact Resistance:  
20 mΩ max.
- \* Operating Temperature:  
-40°C to +85°C

## MATERIAL

- \* Terminal: Phosphor Bronze,  
Tin Plate
- \* Housing: NYLON 66
- \* Wafer: Brass, 0.5mm Square  
Pin, Tin plate

## ORDER INFORMATION

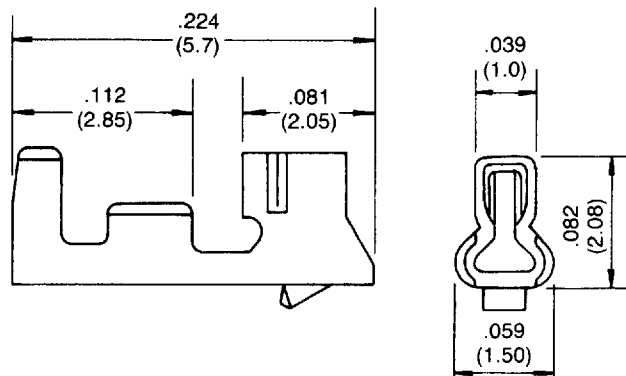
Housing  
H2001 — XX  
|  
No. of Contact  
2~15

Terminal  
T2001

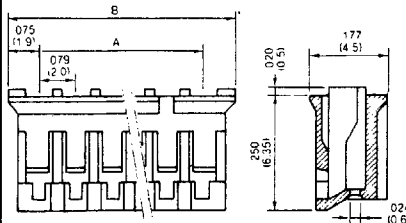
Wafer  
P2001 — X — XX  
|  
Style  
1: Straight  
|  
No. of Contact  
2~15

Specifications are subject to change without notice

### TERMINAL



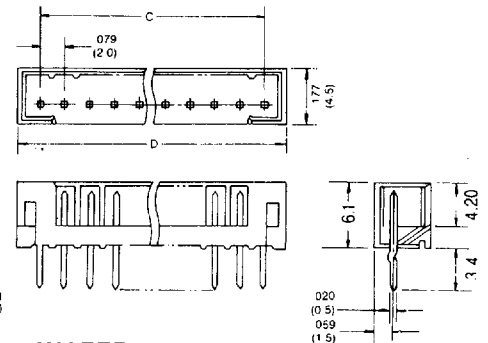
### HOUSING



### HOUSING

POS	A	B
2	2.0	5.8
3	4.0	7.8
4	6.0	9.8
5	8.0	11.8
6	10.0	13.8
7	12.0	15.8
8	14.0	17.8
9	16.0	19.8
10	18.0	21.8
11	20.0	23.8
12	22.0	25.8
13	24.0	27.8
14	26.0	29.8
15	28.0	31.8

### WAFER



### WAFER

POS	C	D
2	2.0	5.6
3	4.0	7.6
4	6.0	9.6
5	8.0	11.6
6	10.0	13.6
7	12.0	15.6
8	14.0	17.6
9	16.0	19.6
10	18.0	21.6
11	20.0	23.6
12	22.0	25.6
13	24.0	27.6
14	26.0	29.6
15	28.0	31.6