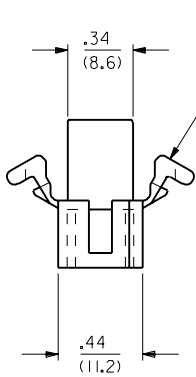
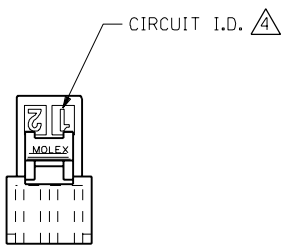
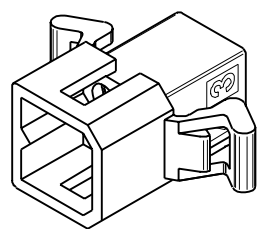
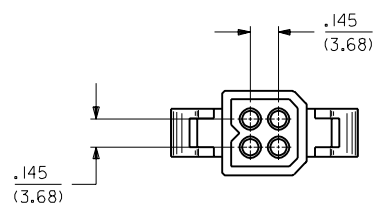
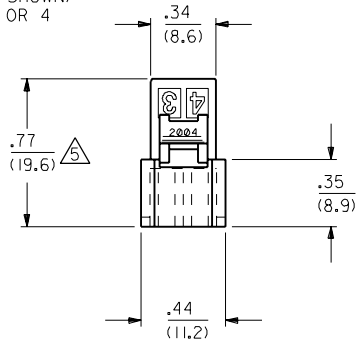


ENG. NO. LOCATION FOR PARTS W/O MTC. EARS



MOUNTING EAR (2 PL.) (PREVENT EAR SHOWN) SEE DETAIL 3 OR 4



**PLUG HOUSING**

K	3	K	OBsolete P/N UCR2002-0270 COMERC 01/10/1
J2			X-REMOVE PER ECN U3 0816 GC 5/25/93 RW
J1			X-RELEASE PER ECN U3 0769 GC 5/18/93 RW
J			REV. PER ECN U2-1825 AFG 92-12-18 RW
I	2	I	REDRAWN & REV'D. ON CAD. ECR U1 1774 GC 8/27/91
K	1	K	
MFG. SH.	REV.	LTR.	REVISIONS

**REVISE ONLY ON CAD SYSTEM**

TITLE: **PLUG AND RECEPTACLE HOUSINGS, 4 CIRCUIT .062/(1.57) DIA.**

DATE: 8/27/91

MOLEX INCORPORATED U.S.A.

FILE NAME: H2004C4 S04

SCALE: 2: 1

DRWG. NO.: SD-2004-\*

DRWG. BY: GC

CHK'D. BY: RW

APP'D. BY: RS

THIS DRAWING CONTAINS INFORMATION THAT IS PROPRIETARY TO MOLEX INC. AND SHOULD NOT BE USED WITHOUT WRITTEN PERMISSION.

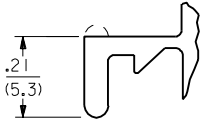
PLUG		OBSOLETE
PART NO.	ENG. NO.	
03-06-2043	2004-P	
03-06-7043	2004-PBK	
03-06-2044	2004-PI	
03-06-7044	2004-PIBK	
PRELIMINARY	2004-P2	
03-06-7045	2004-PIRD	
03-06-7046	2004-PIBN	
03-06-7047	2004-PIOR	

RECEPTACLE		OBSOLETE
PART NO.	ENG. NO.	
03-06-1043	2004-R	
03-06-6043	2004-RBK	
03-06-1044	2004-RI	
03-06-6044	2004-RIBK	
03-06-1046	2004-R3	
03-06-1052	2004-R5	
03-06-6052	2004-R5BK	
PRELIMINARY	2004-R2	
03-06-6045	2004-RRD	
03-06-6046	2004-RBN	
03-06-6048	2004-ROR	

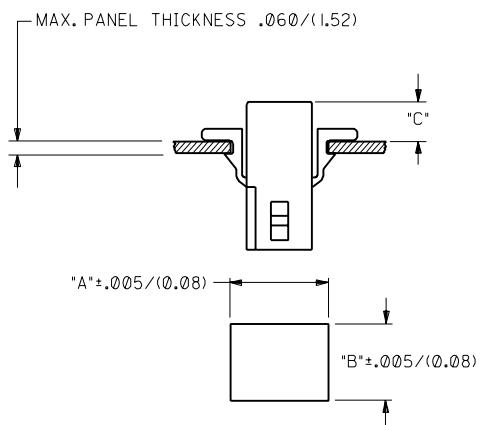
**LEGEND:**

2004-\*\*\*  
 P = PLUG  
 R = RECEPTACLE

BLANK = WITH STANDARD EARS  
 1 = WITHOUT EARS  
 2 = WITH PREBENT EARS  
 3 = W/O EARS, W/O DETENTS  
 5 = W/O EARS, WITH POSITIVE LOCKS



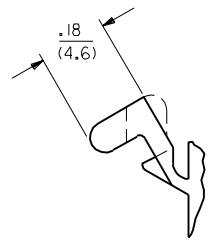
**NOTE:**  
 THIS DRAWING ENCOMPASSES ALL 2004 SERIES HOUSINGS EXCEPT 2004-R7.



- NOTES:**
- MATERIAL - NYLON TYPE 6/6, 94V-2
  - THIS PRODUCT COMPLIES WITH MOLEX PRODUCT SPEC 02-06.
  - HOUSINGS FOR USE WITH MOLEX .062/(1.57) DIA. SERIES TERMINALS.
  - CIRCUIT I.D. NUMBERS ON SIDE OF HOUSING APPEAR ON PARTS FROM TOOLS BUILT AFTER 8/26/91.
  - THIS DIMENSION .020/(0.51) LESS ON TOOLS BUILT PRIOR TO 8/26/91.

**RECOMMENDED HOLE PATTERN**

HOUSING	DIM. "A"	DIM. "B"	PREBENT EAR DIM. "C"	STD. EAR DIM. "C"
PLUG	.615 (15.62)	.465 (11.81)	.26 (6.6)	.26 (6.6)
RECEPTACLE	.506 (12.85)	.400 (10.16)	.24 (6.1)	.24 (6.1)



**DETAIL 4**

PREBENT MOUNTING EARS  
 (SCALE 4:1)

**DETAIL 3**

STANDARD MOUNTING EARS  
 (SCALE 4:1)

DIMENSIONS SHOWN (METRIC) INCH UNLESS OTHERWISE SPECIFIED TOLERANCES ANGULAR		REVISE ONLY ON CAD SYSTEM	
INCH METRIC		TITLE	
3 PLACE ± .010	---	PLUG AND RECEPTACLE HOUSINGS, 4 CIRCUIT	
2 PLACE ± .014	± 0.25	.062/(1.57) DIA.	
1 PLACE ---	± 0.36	MOLEX INCORPORATED U.S.A.	
DRAFT WHERE APPLICABLE MUST REMAIN WITHIN DIMENSIONS		PART NO.	DRWG. NO.
DRAWN BY: JJS		FILE NAME: H2004C4	SD-2004-*
CHECK'D BY: RW		DATE: 8/28/91	U.S.A.
SCALE: 2:1		THIS DRAWING CONTAINS INFORMATION THAT IS PROPRIETARY TO MOLEX INC. AND SHOULD NOT BE USED WITHOUT WRITTEN PERMISSION.	CP C