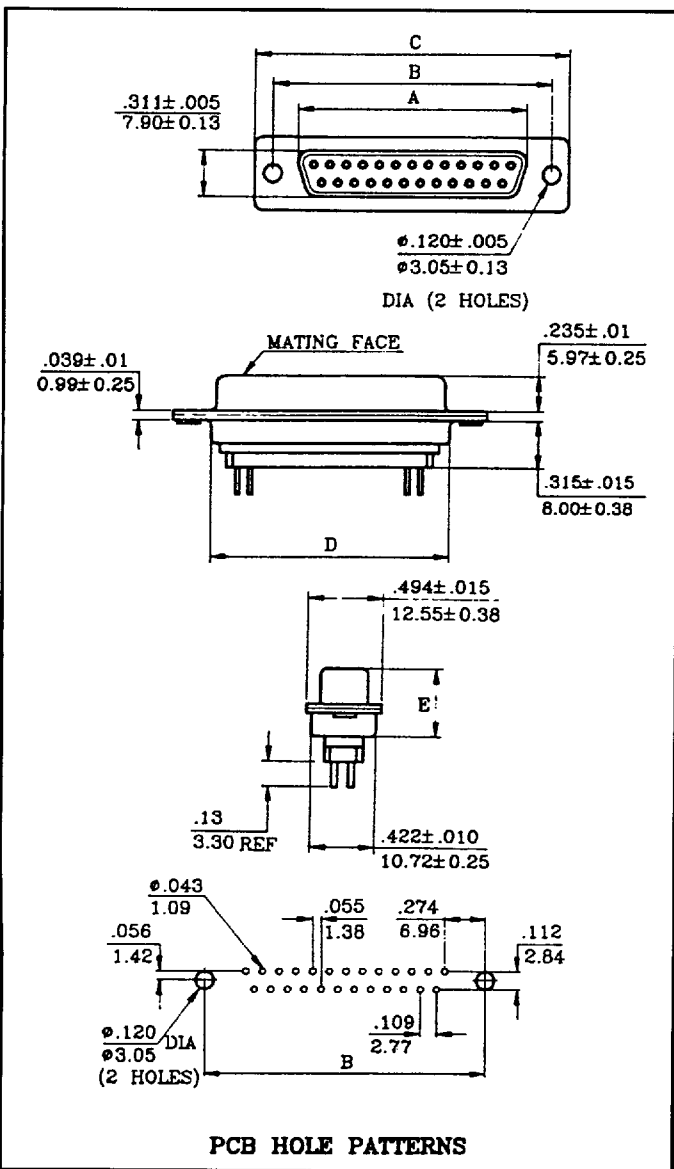


# D-SUBMINIATURE CONNECTOR SOLDER TAIL FILTERED



## FEATURES AND OPTIONS

- Available in 9, 15, 25 and 37 positions
- Male and female versions
- Available with hardware options such as threaded inserts and hex stand-offs



## SPECIFICATIONS

### MATERIALS

Shell: Tin plated steel  
 Insulator: PBT thermo plastic, black color, 30% glass filled self-extinguishing, UL94V-0 rated  
 Contact material: Pin: Brass  
 Socket: Phosphor Bronze  
 Contact plating: Gold over nickel

### ELECTRICAL

Current rating: 5.0 Amps  
 Dielectric strength: 1000Vac min.  
 Insulation resistance: 1000M ohm min. at 500 VDC  
 Operating temperature range: -40°C~ to +105°C  
 Ferrite specifications: Z(ohm), 20 min., 30 MHz  
 Z(ohm), 30 min., 50 MHz  
 Z(ohm), 50 min., 100 MHz

## DIMENSIONS

# of pins	A	B	C	D	E
9	16.33	24.99	30.81	19.28	10.90
	0.643	0.984	1.213	0.759	0.429
15	24.66	33.32	39.14	27.51	10.90
	0.971	1.312	1.541	1.083	0.429
25	38.38	47.04	53.04	41.28	10.90
	1.511	1.852	2.088	1.625	0.429
37	54.84	63.50	69.32	57.71	10.90
	2.159	2.500	2.729	2.272	0.429

## HOW TO ORDER

### ADXXX-PFI

XX = Number of contacts  
 S = Male connector  
 F = Female connector