

D-SUB Connector

SPECIFICATIONS

Mechanical

Contact Retention Force: 1.36kg (3.00Lb) min.
Contact Engagement Force: 0.34kg (0.75Lb) max.
Contact Separation Force: 0.021kg (0.05Lb) min.
Durability: 500 Cycles

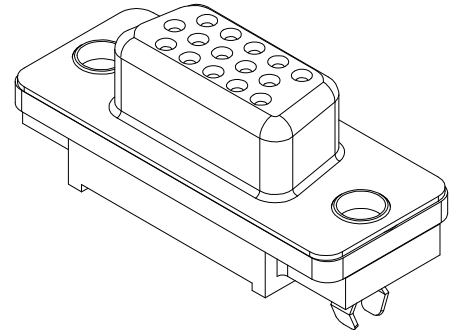
Electrical

Current Rating: 2A
Contact Resistance: 15mW max.
Dielectric Withstanding Voltage: 1000V AC/1min min.
Insulation Resistance: 5000MW min.

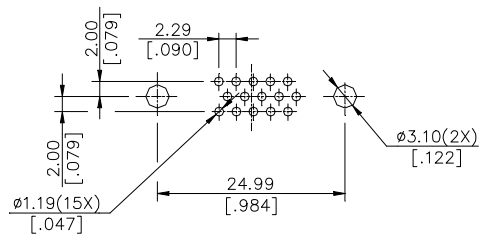
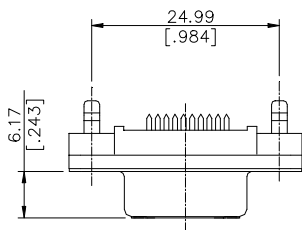
Physical

Housing: Thermoplastic, UL 94V-0 rated in Blue 661C Color
Contact: Copper alloy
Plating: See "ORDERING INFORMATION"
Operating Temperature: -20 to +85
Recommended Thickness of PCB: 1.57[.062]

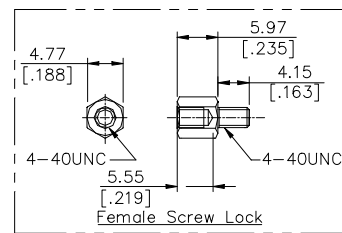
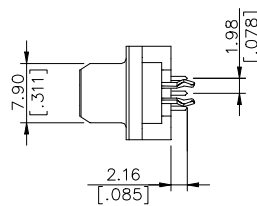
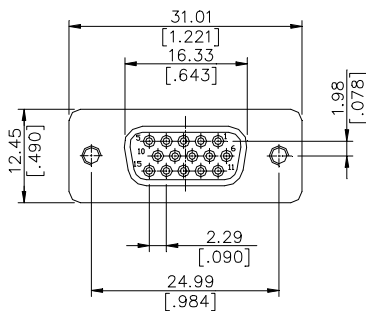
ZD Series
Vertical Type, T/H
2.29mm [.090"] Pitch
15 Pos.



DRAWING



RECOMMENDED P.C.B. LAYOUT



ORDERING INFORMATION

PRODUCT NO.: ZD A D A *-155* - AF

- D-SUB Series
- Body Type
- A= Straight PCB Mount
- Termination Type
- D= Socket Low Profile
- No. of Pos.
- A= H/D 15 Pos.
- Contact Area Plating
- 1= Gold Flash
- 2= 20u" Gold
- 3= 30u" Gold
- Packing Code
- Extension Code
- 1559= With Female Screw Lock
- 1558= Without Female Screw Lock