

CMPT5086
CMPT5087

**SURFACE MOUNT
PNP SILICON TRANSISTOR**



SOT-23 CASE



www.centrasemi.com

DESCRIPTION:

The CENTRAL SEMICONDUCTOR CMPT5086 and CMPT5087 are PNP silicon transistors manufactured by the epitaxial planar process, epoxy molded in a surface mount package, designed for applications requiring high gain and low noise.

**MARKING CODES: CMPT5086: C2P
CMPT5087: C2Q**

MAXIMUM RATINGS: ($T_A=25^\circ\text{C}$)

Collector-Base Voltage
Collector-Emitter Voltage
Emitter-Base Voltage
Continuous Collector Current
Power Dissipation
Operating and Storage Junction Temperature
Thermal Resistance

SYMBOL

V_{CBO} 50
 V_{CEO} 50
 V_{EBO} 3.0
 I_C 50
 P_D 350
 T_J, T_{stg} -65 to +150
 θ_{JA} 357

UNITS

V
V
V
mA
mW
 $^\circ\text{C}$
 $^\circ\text{C/W}$

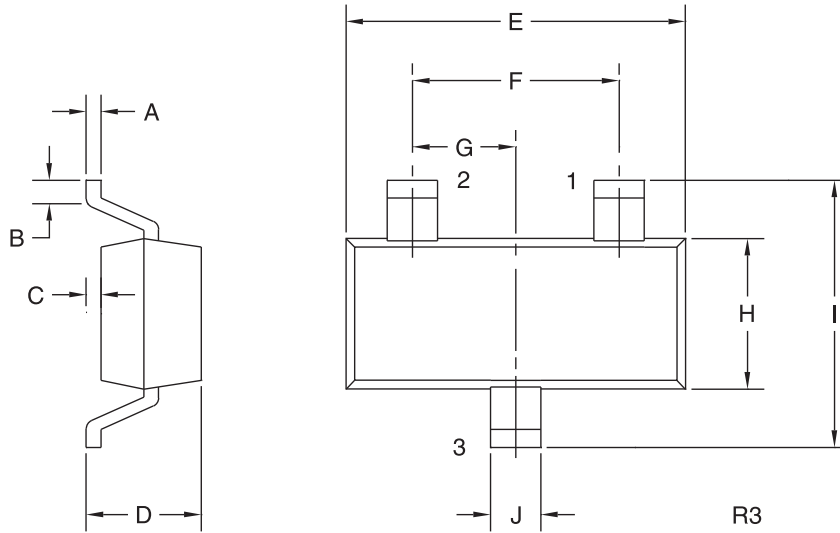
ELECTRICAL CHARACTERISTICS: ($T_A=25^\circ\text{C}$ unless otherwise noted)

SYMBOL	TEST CONDITIONS	CMPT5086		CMPT5087		UNITS
		MIN	MAX	MIN	MAX	
I_{CBO}	$V_{CB}=10\text{V}$	-	10	-	10	nA
I_{CBO}	$V_{CB}=35\text{V}$	-	50	-	50	nA
BV_{CBO}	$I_C=100\mu\text{A}$	50	-	50	-	V
BV_{CEO}	$I_C=1.0\text{mA}$	50	-	50	-	V
BV_{EBO}	$I_E=100\mu\text{A}$	3.0	-	3.0	-	V
$V_{CE(SAT)}$	$I_C=10\text{mA}, I_B=1.0\text{mA}$	-	0.30	-	0.30	V
$V_{BE(SAT)}$	$I_C=10\text{mA}, I_B=1.0\text{mA}$	-	0.85	-	0.85	V
h_{FE}	$V_{CE}=5.0\text{V}, I_C=0.1\text{mA}$	150	500	250	800	
h_{FE}	$V_{CE}=5.0\text{V}, I_C=1.0\text{mA}$	150	-	250	-	
h_{FE}	$V_{CE}=5.0\text{V}, I_C=10\text{mA}$	150	-	250	-	
f_T	$V_{CE}=5.0\text{V}, I_C=500\mu\text{A}, f=20\text{MHz}$	40	-	40	-	MHz
C_{ob}	$V_{CB}=5.0\text{V}, I_E=0, f=1.0\text{MHz}$	-	4.0	-	4.0	pF
h_{fe}	$V_{CE}=5.0\text{V}, I_C=1.0\text{mA}, f=1.0\text{kHz}$	150	600	250	900	
NF	$V_{CE}=5.0\text{V}, I_C=20\text{mA}, R_S=10\text{k}\Omega,$ $f=10\text{Hz to }15.7\text{kHz}$	-	3.0	-	2.0	dB
NF	$V_{CE}=5.0\text{V}, I_C=100\mu\text{A}, R_S=3.0\text{k}\Omega, f=1.0\text{kHz}$	-	3.0	-	2.0	dB

CMPT5086
 CMPT5087
 SURFACE MOUNT
 PNP SILICON TRANSISTOR



SOT-23 CASE - MECHANICAL OUTLINE



LEAD CODE:

- 1) Base
- 2) Emitter
- 3) Collector

MARKING CODES:

CMPT5086: C2P
 CMPT5087: C2Q

DIMENSIONS				
SYMBOL	INCHES		MILLIMETERS	
	MIN	MAX	MIN	MAX
A	0.003	0.007	0.08	0.18
B	0.006	-	0.15	-
C	-	0.005	-	0.13
D	0.035	0.043	0.89	1.09
E	0.110	0.120	2.80	3.05
F	0.075		1.90	
G	0.037		0.95	
H	0.047	0.055	1.19	1.40
I	0.083	0.098	2.10	2.49
J	0.014	0.020	0.35	0.50

SOT-23 (REV: R3)

R5 (1-February 2010)