

SPECIFICATIONS

Mechanical

Contact Retention Force: 0.91Kg min.
Durability: 500 Cycles

Electrical

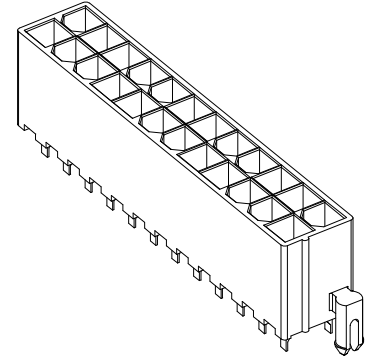
Voltage Rating: 600V
Current Rating: 10A per contact min.
Dielectric Withstanding Voltage: 1500V AC
Insulation Resistance: 1000MW min.

Physical

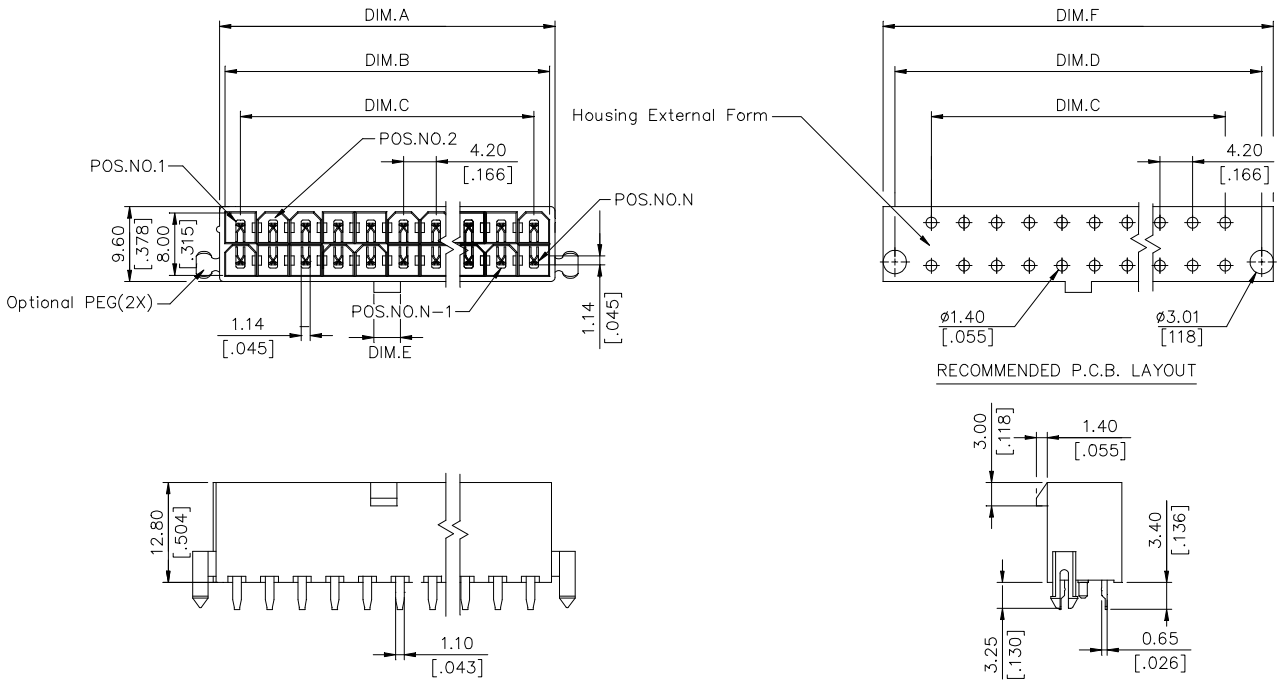
Housing: PA6.6, UL 94V-0 rated in Ivory Color
Contact: Copper alloy
Plating: See "ORDERING INFORMATION"
Operating Temperature: -55 to +105

Power Connector

HM20 Series
Vertical, T/H Type
4.20mm [.166"] Pitch



DRAWING



ORDERING INFORMATION

PRODUCT NO.: H M 2 0 * * * - * *

- Header Series
- Power Type
- Termination & Contact Type
- No. Of Pos
 - 02=4 Pos
 - 03=6 Pos
 - ...
 - 11=22 Pos
 - 12=24 Pos

See Drawing NO.307-0000-375

Optional For Plating
 0 = Tin/Lead Plating over All
 3 = 30u"Gold Plating
 E = Tin with Lead Free
 "RoHS Compliance"

HM2012*—**	24	51.60 [2.030]	50.00 [1.967]	46.20 [1.817]	55.60 [2.187]	57.60 [2.268]
HM2011*—**	22	47.40 [1.864]	45.80 [1.801]	42.00 [1.652]	51.40 [2.022]	53.40 [2.102]
HM2010*—**	20	43.20 [1.700]	41.60 [1.636]	37.80 [1.487]	47.20 [1.857]	49.20 [1.937]
HM2009*—**	18	39.00 [1.534]	37.40 [1.471]	33.60 [1.322]	43.00 [1.691]	45.00 [1.772]
HM2008*—**	16	34.80 [1.369]	33.20 [1.306]	29.40 [1.156]	38.80 [1.526]	40.80 [1.606]
HM2007*—**	14	30.60 [1.204]	29.00 [1.141]	25.20 [.991]	34.60 [1.361]	36.60 [1.441]
HM2006*—**	12	26.40 [1.038]	24.80 [.975]	21.00 [.826]	30.40 [1.200]	32.40 [1.276]
HM2005*—**	10	22.20 [.873]	20.60 [.810]	16.80 [.661]	26.20 [1.031]	28.20 [1.110]
HM2004*—**	8	18.00 [.708]	16.40 [.645]	12.60 [.500]	22.00 [.865]	24.00 [.945]
HM2003*—**	6	13.80 [.543]	12.20 [.480]	8.40 [.330]	17.80 [.700]	19.80 [.780]
HM2002*—**	4	9.60 [.378]	8.00 [.315]	4.20 [.165]	13.60 [.535]	15.60 [.614]
P/N	POS.	DIM. A	DIM. B	DIM. C	DIM. D	DIM. F

307-0000-375

H M NN NN N - (X) XN

SEE REMARK

CODE	DESCRIPTION		
	PEG	POST	PIN MISSING
NONE	NONE	NONE	FULL PIN
P1	PEG #1	NONE	FULL PIN
P2	PEG #1 & PEG #2	NONE	FULL PIN
S1	PEG #2	NONE	19th PIN OMITTED
S2	PEG #1 & PEG #2	NONE	19th PIN OMITTED
S3	NONE	NONE	19th PIN OMITTED
S4	NONE	NONE	6st , 7nd & 17th & 18th PINS OMITTED
S5	NONE	NONE	1st , 2nd & 11st PINS OMITTED
S6	PEG #1 & PEG #2	NONE	1st , 2nd & 11st PINS OMITTED
S7	PEG #2	NONE	FULL PIN
S8	NONE	NONE	20th PIN OMITTED
G1	NONE	MIDDLE POST	FULL PIN
G5	NONE	MIDDLE POST	1st , 2nd & 11st PINS OMITTED

REMARK:

H : CONTACT CURRENT RATING : 12 AMPERES PER CONTACT

E : WIDTH LATCH, DIM.E = DIM.C

NONE: STANDARD PROU. DIM.E = 3.40