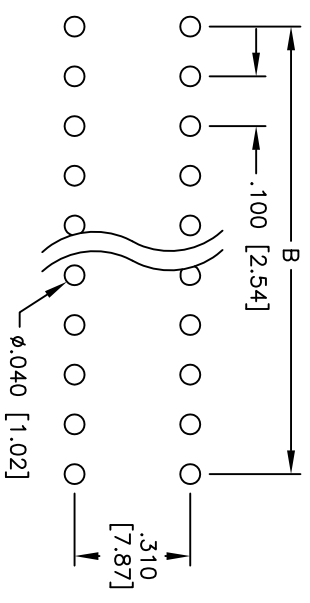
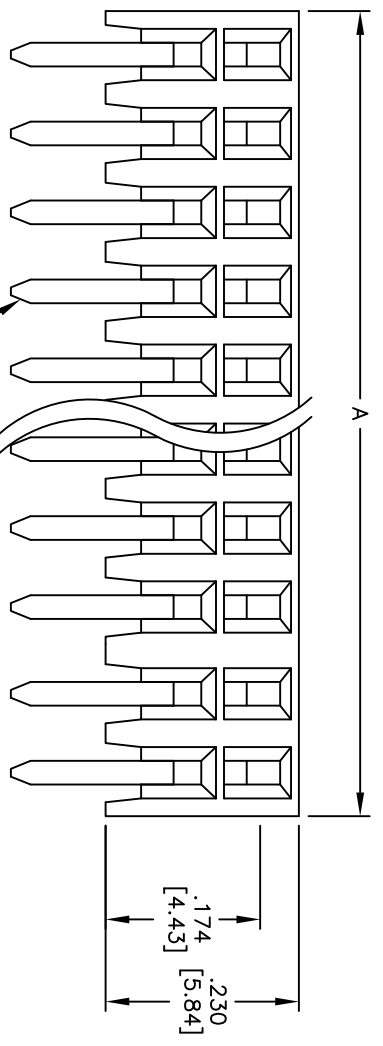
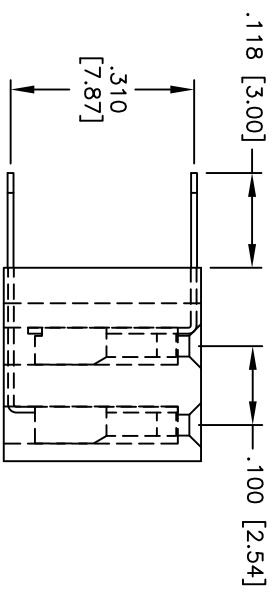
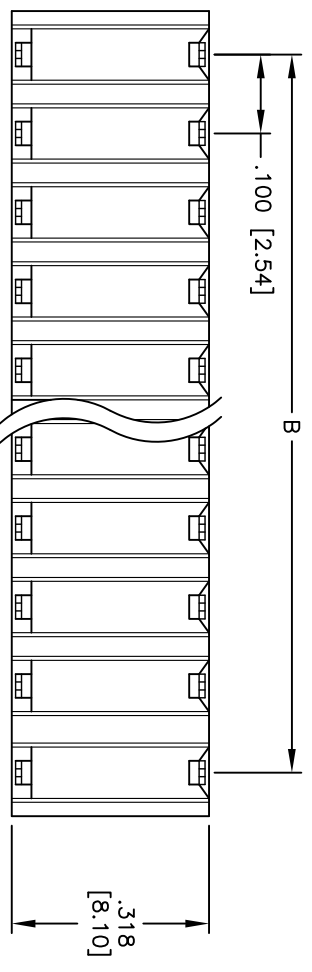


Rev	AWO #	Description	Date	Appr
-		RELEASED	6/1/05	

APPROVED: \_\_\_\_\_  
 DATE: \_\_\_\_\_ TITLE: \_\_\_\_\_



RECOMMENDED  
PCB LAYOUT



**SPECIFICATIONS:**  
 Material: Insulator: Hi-temp thermoplastic, rated UL 94V-0  
 Insulator color: Black  
 Contacts: Phosphor Bronze  
 Plating: Gold flash over Nickel underplate overall  
 Electrical:  
 Operating voltage: 250 VAC max.  
 Current rating: 3 Amps max.  
 Contact resistance: 20 mohms max. initial  
 Insulation resistance: 5,000 Mohms min.  
 Dielectric withstanding voltage: 1,000 VAC for 1 minute  
 Temperature Rating:  
 Operating temperature: -40°C to +105°C  
 Environmental:  
 Lead free, RoHS compliant  
 Recommended soldering temp: 260°C for 5 seconds

Positions: 02 thru 80  
 A = .100 [2.54] x No. of Positions per Row  
 B = .100 [2.54] x No. of Spaces

**UNLESS OTHERWISE SPECIFIED**  
 ALL DIMENSIONS ARE INCHES [MM]  
 TOLERANCES: EXCEPT AS NOTED  
 INCHES HOLE SIZES  
 .X ± .10 ØXX ± .10  
 .XX ± .020 ØXXX ± .015  
 .XXX ± .015 ØXXXX ± .010  
 APPROVALS: \_\_\_\_\_ DATE: \_\_\_\_\_  
 DRAWN: SS 6/1/05  
 CHECKED: \_\_\_\_\_  
 APPROVED: \_\_\_\_\_



**ADAM TECH**  
 909 Rahway Avenue, Union, NJ 07083  
 Phone: 908-687-5000 Fax: 908-687-5710

TITLE: .100 x .100 DUAL ROW RECEPTACLE STRIP  
 RIGHT ANGLE, 3-SIDED CONTACT

ENVIRONMENTAL:  
 Lead free, RoHS compliant  
 Recommended soldering temp: 260°C for 5 seconds

SIZE	PART NO.	REV.
X	RS2BR-XX-G-HT	-
REF:	SCALE: NTS	SHEET 1 OF 1