

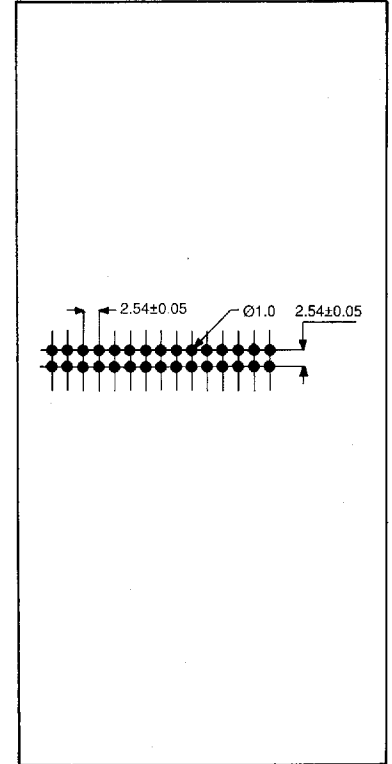
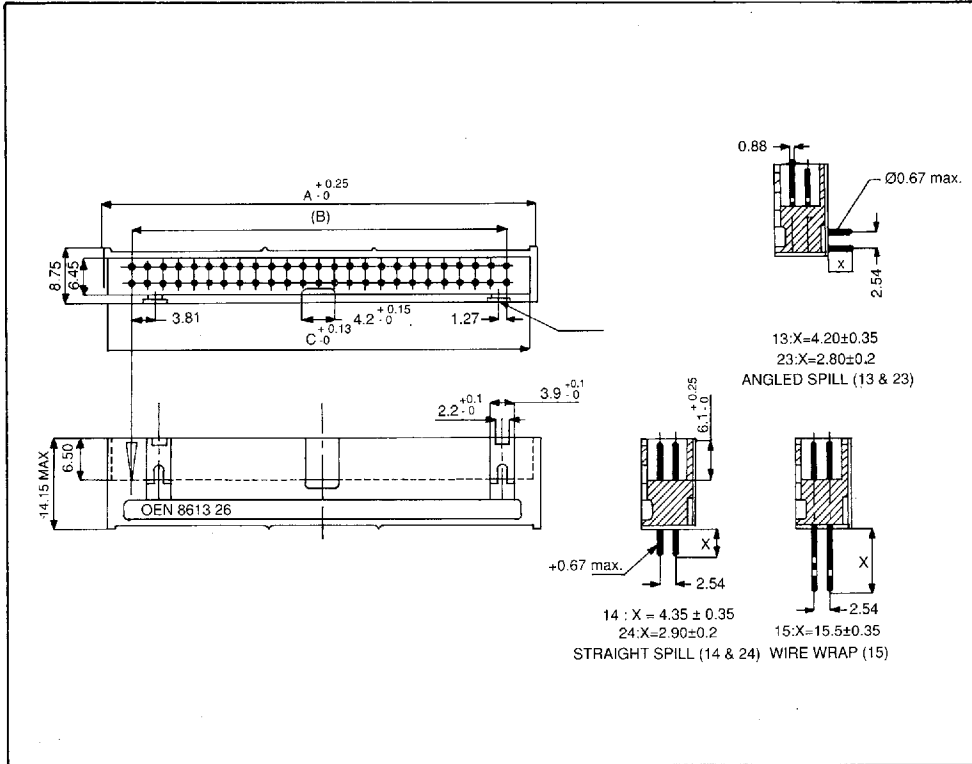
8613



Box headers

Dimensions

Card drilling



Dimms	C	17.91	22.99	25.53	30.61	36.23	43.31	48.39	56.01	68.71	81.41	86.49
	[B]	10.16	15.24	17.78	22.86	30.48	35.56	40.64	48.26	60.96	73.66	78.74
	A ^{+0.25} ₋₀	19.71	24.29	27.33	32.41	40.03	45.11	50.19	57.81	70.51	83.21	88.29
	No. of position	10	14	16	20	26	30	34	40	50	60	64

Ordering information

Series **8613** — 0 — 1 0 — — 3 4 5 —

Number of contacts
10-14-16-20-26-34-40-50-60-64

Termination **13** Angled spill
23 Short angled spill
14 Straight spill
24 Short straight spill

Polyester insulator

4 Connector classification **4** conforms to specification HE10 01 & DIN 41651 Class 3
5 conforms to specification DIN 41651 Class 2
6 conforms to specification MIL C 83503 & DIN 41651 Class 1
8 conforms to specification JSS 50810

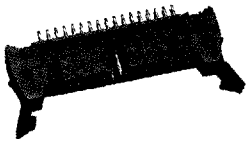
Pitch : 2.54 mm

Introduction

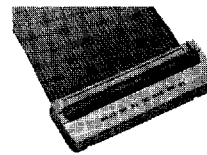
Flat cable technology provides fast and reliable mass termination at comparatively low total cost. Connectors using this technique are used in diverse applications ranging from computers and peripherals to aerospace, communications instrumentation, copying machines and medical equipments because of their combination of accuracy and dependability.

O/E/N Series 8613 Flat Cable Connectors are designed to meet the performance requirements of JSS 50810, MIL-C-83503 and HE 10 specifications.

Function



Headers: provides a reliable mating interface for standard sockets having 2.54 x 2.54 spacing.



Socket: used to interconnect PC boards through headers in 2.54 x 2.54 spacing.

Specifications

Materials and Finish	Contact Material	
	Male	: Copper alloy
	Female	: Copper alloy
	Contact Finish	
	Active Zone	: Gold Over Nickel
	Termination Zone	: Tinlead Over Nickel
	Insulator Material	
	Polyester	
Electrical	Current rating	: 1.5A at 25°C
	Insulation resistance	: ≥5000 Mega Ohms at 500 Vdc
	Contact resistance	: ≤20 Milli Ohms
	Dielectric withstanding voltage	
	Contact/Contact	: 1050 V eff
Mechanical and Environmental	Endurance:	
	JSS 50810/ DIN 41651 Class 1	: 500 Cycles
	DIN 41651 Class 2	: 200 Cycles
	DIN 41651 Class 3	: 50 Cycles
	Operating Temperature	: -55°C to +125°C