

3.96mm (0.156") Pin Housing

VH Series

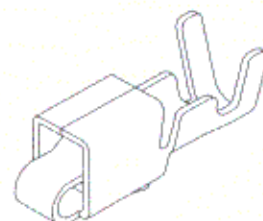
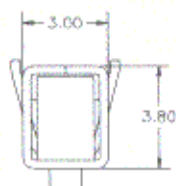
FEATURES

2-10 Circuits
 Post: Brass, Copper-Undercoated,
 Tin/Lead-Plated
 Wafer: Nylon, UL 94V-0

SPECIFICATIONS

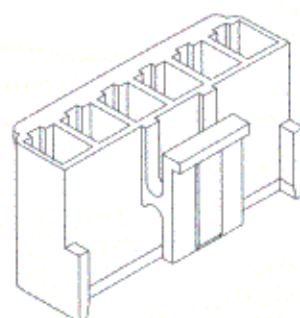
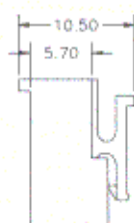
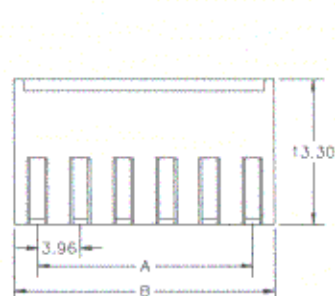
Current Rating: 3A AC DC
 Voltage Rating: 250V AC Maximum
 Temperature Range: -25°C~+90°C
 Contact Resistance: Initial Value/10 m ohm max
 After Environmental Testing
 /20 m ohm min
 Insulation Resistance: 1000 M ohm min
 Withstand Voltage: 1500V AC/minute
 P.C.Board Thickness: 1.6mm(.063")

Contact



Model No.	Applicable Wire			Material	Finish
	mm ²	AWG #	Insulation O.D.		
VH-C-21T	0.83 to 0.33	18 to 22	3.00 to 1.70	Brass	Tin-Plated
VH-C-21TP				Phosphor Bronze	

Housing



Circuits	Model No.	Dimension mm	
		A	B
2	VH-H- 2	3.96	7.86
3	VH-H- 3	7.92	11.82
4	VH-H- 4	11.88	15.78
5	VH-H- 5	15.84	19.74
6	VH-H- 6	19.80	23.70

Circuits	Model No.	Dimension mm	
		A	B
7	VH-H- 7	23.76	27.66
8	VH-H- 8	27.72	31.62
9	VH-H- 9	31.68	35.58
10	VH-H-10	35.64	39.54