

产品规格书
Specification

GOODARK型号

GD SB320S~GD SB360S

构造 : 金属结合型二极管
Construction: **Schottky Barrier Diode**
用途 : 高速整流用
Application : **For High speed Rectifier**

制造工厂 (Manufacturer) :
苏州固锝电子股份有限公司
Suzhou Good-ark Electronics Co., Ltd
作成年月日 2013年02月18日
Prepared on Feb. 18th, 2013
作成部门: 产品开发事业部
Prepared: R & D Department

接受印栏

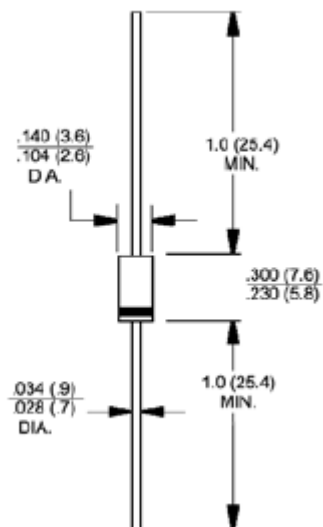
请记入贵公司的名称、接受日期、责任者人名。

记载内容

CONTENTS

1. 外形规格 Case Dimension
2. 印字规格 Marking Spec
3. 编带规格 Taping Spec
4. 内部结构 Inside Formation
5. 最大定格Maximum Ratings and Electrical Characteristics
6. 包装规格 Packing Spec
7. 标贴规格 Description Of Box label
8. 特性曲线图 **Characteristic Curve**

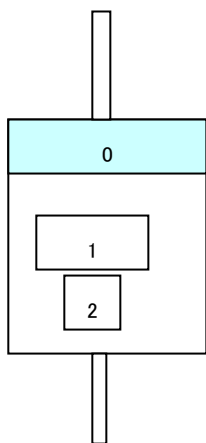
1. 外形规格 CASE DIMENSION (D0-15 Type)




Lead Material / Plating

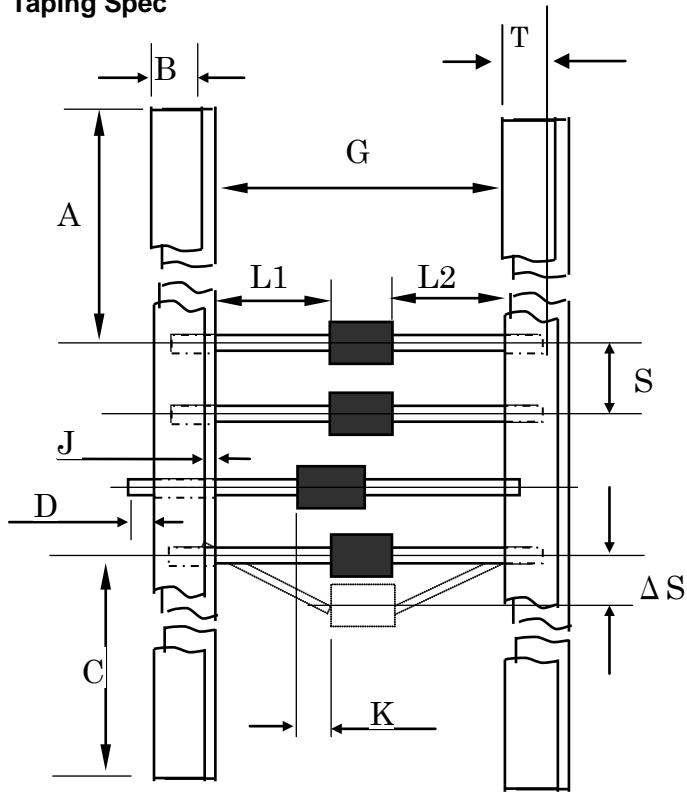
Copper / Tin Plating (4 μm to 12 μm)

2. 印字规格 Marking



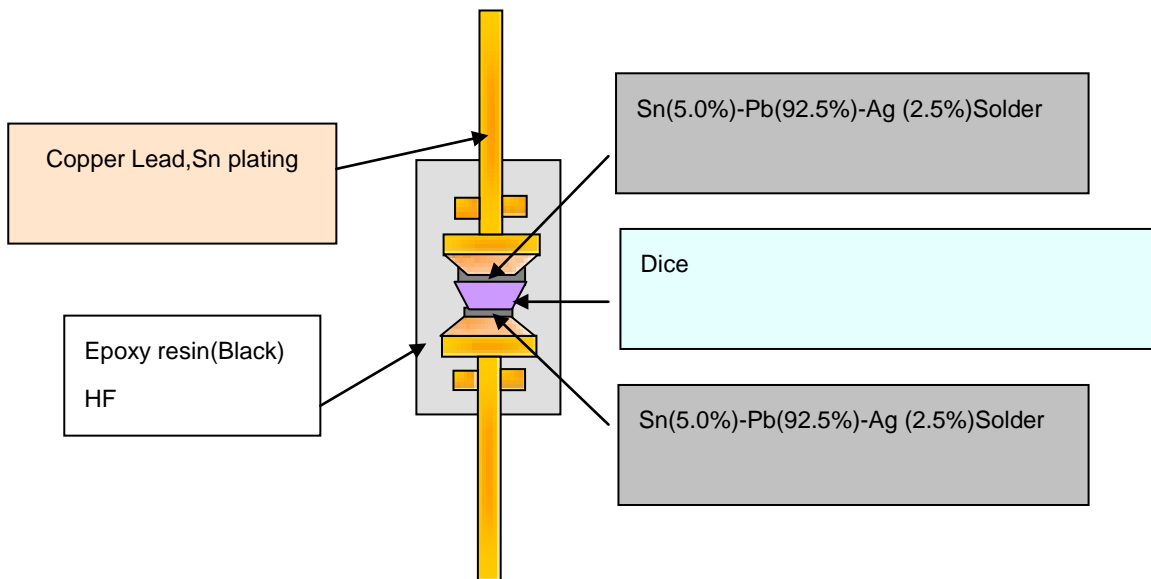
- 0. Cathode Mark (silver band)
- 1. Part Name SB320S
- 2. Logo Mark 

3. 编带规格 Taping Spec



单位:mm
B: 6.0 ± 0.5
D: 0
G: 52.4 ± 1.5
J: 0.5max
K: 0.8max
L1-L2: 0 ± 1.0
S: 10.0 ± 0.5
 ΔS : 1.2max
T: 3.2min

4. 内部结构 Inside Formation



5. 最大定格 Maximum Ratings and Electrical Characteristics

Parameter	Symbol	SB320S	SB330S	SB340S	SB350S	SB360S	Units
Maximum repetitive peak reverse voltage	V_{RRM}	20	30	40	50	60	Volts
Maximum RMS voltage	V_{RMS}	14	21	28	35	42	Volts
Maximum DC blocking voltage	V_{DC}	20	30	40	50	60	Volts
Maximum average forward rectified current 0.375"(9.5mm) lead length (See Fig.1)	$I_{F(AV)}$	3.0					Amps
Peak forward surge current 8.3ms single half sine-wave superimposed on rates load	I_{FSM}	100					Amps
Maximum DC reverse current @ $T_J=25^{\circ}C$ at rated DC blocking voltage @ $T_J=100^{\circ}C$	$I_{R(AV)}$	0.5 20					mA
Maximum forward voltage at 3.0A DC	V_F	0.50			0.74		Volts
Typical thermal resistance(Note 1)	$R_{\theta JL}$	20			20		$^{\circ}C/W$
Typical junction capacitance (Note2)	C_j	250					pF
Operating junction temperature range	T_j	-55 ~ +125					$^{\circ}C$
storage temperature range	T_{STG}	-55 ~ +150					$^{\circ}C$

Notes: 1. Thermal Resistance Junction to Lead.

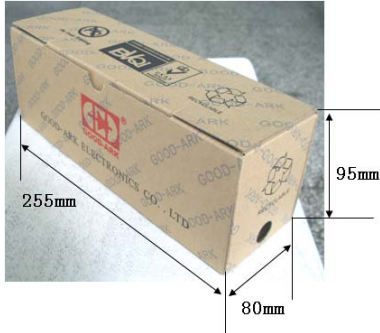
2. Measured at 1.0MHz and applied reverse voltage of 4.0V DC.

6. 包装规范: Packing Spec

SB320S-TB

(1)一次包装 Primary Packaging

尺寸 Ammo Packaging



数量 Quantity 1800pcs/box

(2)二次包装 Secondary Packaging

尺寸Corrugated cardboard box



数量 Quantity 27,000pcs/box

7. 标贴规格 DESCRIPTION of BOX LABEL

1) 一次包装:Primary Packaging

(1) 产品型号 Goodark Part No.

(2) 数量 Quantity

(3) 产品生产批号 Lot No

(4) 产品车间订单号 P/O NO



2) 二次包装 Secondary Packaging

(1) 产品型号 Goodark Part No.

(2) 数量 Quantity

(3) 产品车间订单号 P/O NO

(4) 外箱箱号 Carton NO

(5) 产品生产周期号 Date Code



(6) 净重 N.W

(7) 毛重 G.W

8. 特性曲线图 Characteristic Curve

($T_A = 25^\circ\text{C}$ unless otherwise noted)

