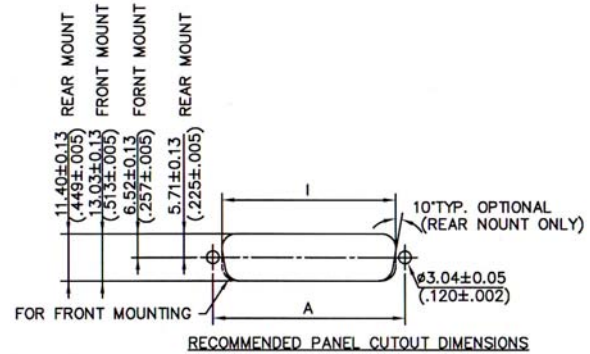
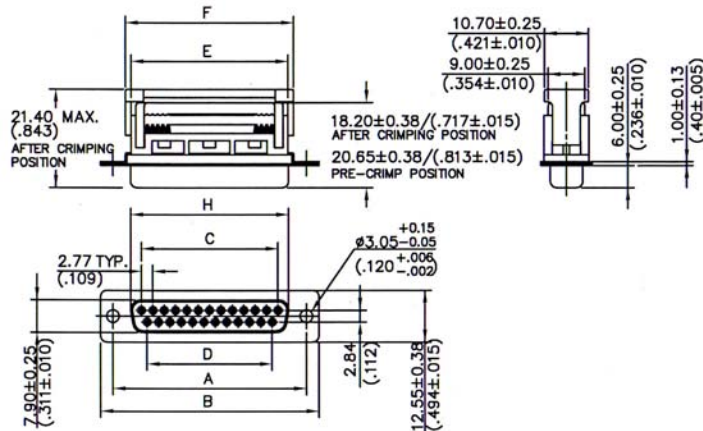
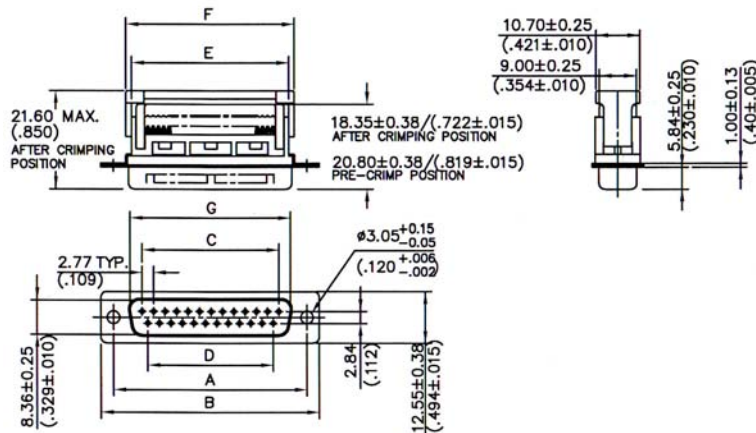


D-SUB. MALE CONNECTOR WITH METAL SHELL I.D.C. TYPE



SPECIFICATIONS

Current Rating: 3A
Contact Resistance: 25mΩ Max.
Insulation Resistance: 1000MΩ Min. at 500V
Dielectric Voltage: 1000V at 1 Minute
Operating Temperature: -55°C to +105°C

MATERIALS

Insulator: PBT, UL94V-0 Rated
Contact: Brass
Shell: Brass, Steel
Contact Plating: Gold Over Nickel Plated
Shell Plating: Tin Over Copper Plated
***RoHS & REACH compliant.**

No. of Contacts	Dimensions(mm)								I±0.13 REAR MOUNTING	I±0.13 FRONT MOUNTING
	A±0.13	B±0.25	C±0.13	D±0.13	E±0.25	F±0.25	G±0.25	H±0.25		
09	24.99	30.80	11.08	8.31	16.10	18.60	16.92	16.33	20.47	22.20
15	33.32	39.10	19.39	16.62	24.00	26.60	25.25	24.66	28.80	30.53
25	47.04	53.09	33.24	30.47	38.14	40.90	38.96	38.38	42.52	44.27
37	63.50	69.40	49.86	47.09	54.60	57.10	55.45	54.84	59.08	60.73

ORDERING INFORMATION:

P/N 5 2 1 3 - $\frac{X X X X X}{1 2 3 4}$

- NO. OF CONTACTS:
09, 15, 25, 37
- HOUSING CONSTRUCTION TYPE:
"C" STANDARD THROUGH HOLES
"D" UNC4-40 THREADED INSERTS
- STRAIN RELIEF TYPE:
"P" PLASTIC STRAIN RELIEF
"S" STEEL STRAIN RELIEF
- HOUSING COLOR:
" " BLUE (STANDARD)
"B" BLACK