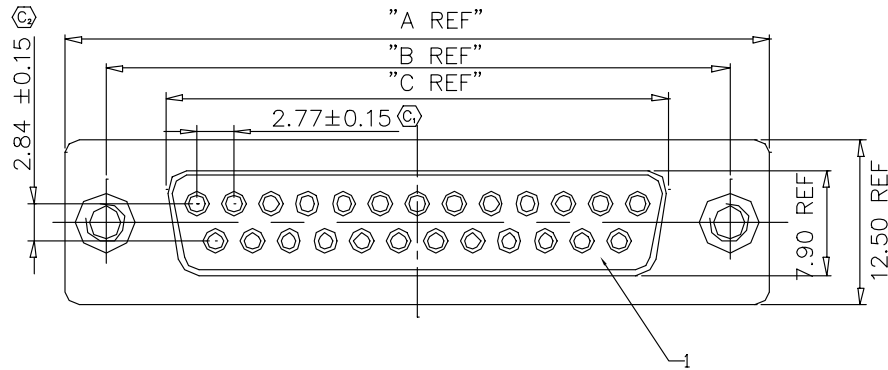
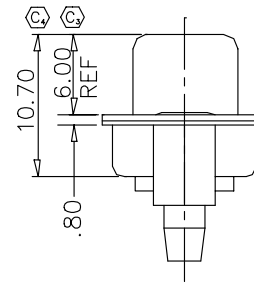
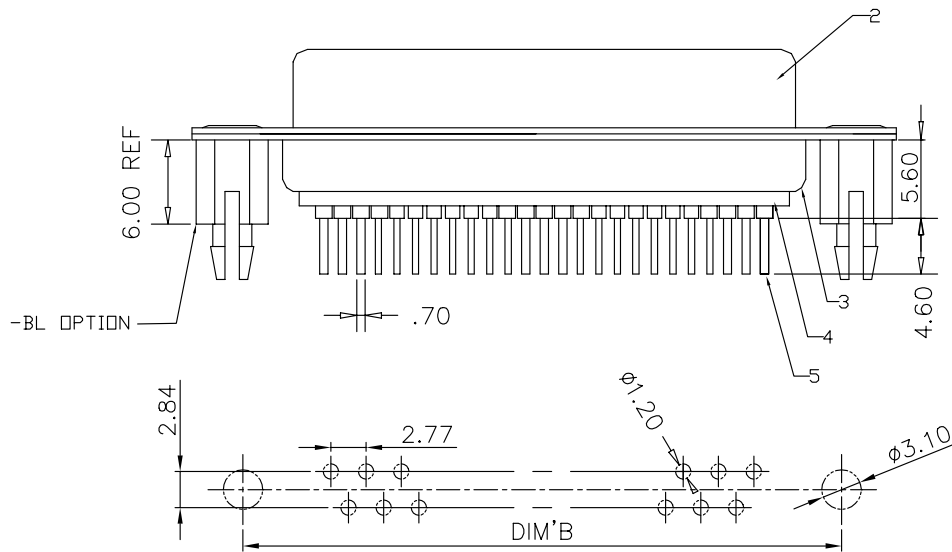


REVISION F

DSM-VT-X-XX-S-X-XX-XX

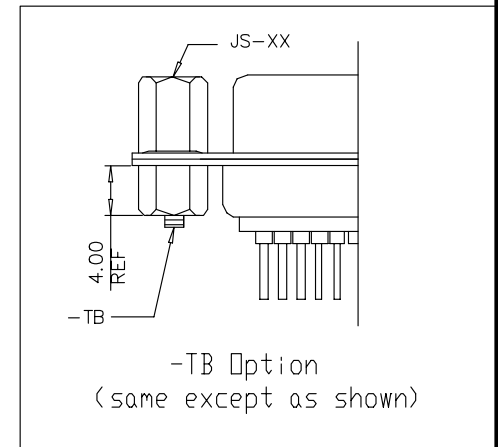


- TYPE**  
 -VT: Vertical Through Hole
- SHELL SIZE/POSITION**  
 -E-09  
 -A-15  
 -B-25  
 -C-37
- GENDER**  
 -S: Socket
- PLATING** (C)  
 -F: Flash Gold over Nickel  
 -L: .000015' Gold over Nickel  
 -S: .000030' Gold over Nickel
- MOUNTING FACE**  
 -RJ: #4-40 Removable Jack Screws (JS-03 Requires -TB or -BL)  
 -MJ: Metric M3 Jack Screw (JS-04 for use with -MB and -ML)  
 Leave Blank for NO MOUNTING FACE OPTION
- BOARD MOUNT**  
 -TB: #4-40 Threaded Bushing (TB-01-4.0)  
 -BL: #4-40 Board Lock (BL-01-6.0)  
 -MB: M3 Metric Bushing (TB-02-4.0)  
 -ML: M3 Metric Lock (BL-02-6.0)  
 (use DSMS-X-S1-N for BOARD MOUNT. Leave blank for NO BOARD MOUNT (use DSMS-X-S2-N))



1	DSMH-XX-S-F
2	DSMS-X-SX-N
3	DSMS-X-R-N
4	DSMH-XX-S-R
5	C-200-XX-X

PCB LAYOUT  
TOP VIEW



Position	"A"	"B"	"C"
E-09	30.81	24.99	16.33
A-15	39.14	33.32	24.66
B-25	53.04	47.04	38.38
C-37	69.32	63.50	54.84

NOTES:  
 1. (C) REPRESENTS CRITICAL DIMENSION.

UNLESS OTHERWISE SPECIFIED, DIMENSIONS ARE IN MM. TOLERANCES ARE:

DECIMALS ANGLES  
 .X: ±.40 2°  
 .XX: ±.25  
 .XXX: ±.15

**PROPRIETARY NOTE**  
 THIS DOCUMENT CONTAINS INFORMATION CONFIDENTIAL AND PROPRIETARY TO SAMTEC INC. AND SHALL NOT BE REPRODUCED OR TRANSFERRED TO OTHER DOCUMENTS OR DISCLOSED TO OTHERS OR USED FOR ANY PURPOSE OTHER THAN THAT FOR WHICH IT WAS OBTAINED WITHOUT THE EXPRESSED WRITTEN CONSENT OF SAMTEC INC.

DO NOT SCALE DRAWING  
 INSULATOR: PBT, UL 94V-0 Rated, Black  
 CONTACT OR TERMINAL: Brass  
 SHIELD: Steel

MAX FLASH ALLOWED: .051  
 MAX GATE VESTIGE: .051  
 F:\DWG\EXISPROD\ASSEMBLY\10\Sub

SHEET SCALE: 1:2

DESCRIPTION:  
 Vertical D-Sub Socket

DWG. NO.  
 DSM-VT-X-XX-S-X-XX-XX

BY: J. Riley 03/16/04 SHEET 1 OF 1



520 PARK EAST BLVD. NEW ALBANY, IN 47150  
 (812) 944-6733 P.O. BOX 1147 TWX: 810-540-4085

CODE: 55322