

# 2.54mm (0.1") SMT Female Header

(Double Row 7.5mm Base)

2832 Series

### APPLICATION AND FEATURES

1. For profile application 7.1mm high.
2. Accept 0.64mm square pin with closed entry.
3. Mate with pin header stick.

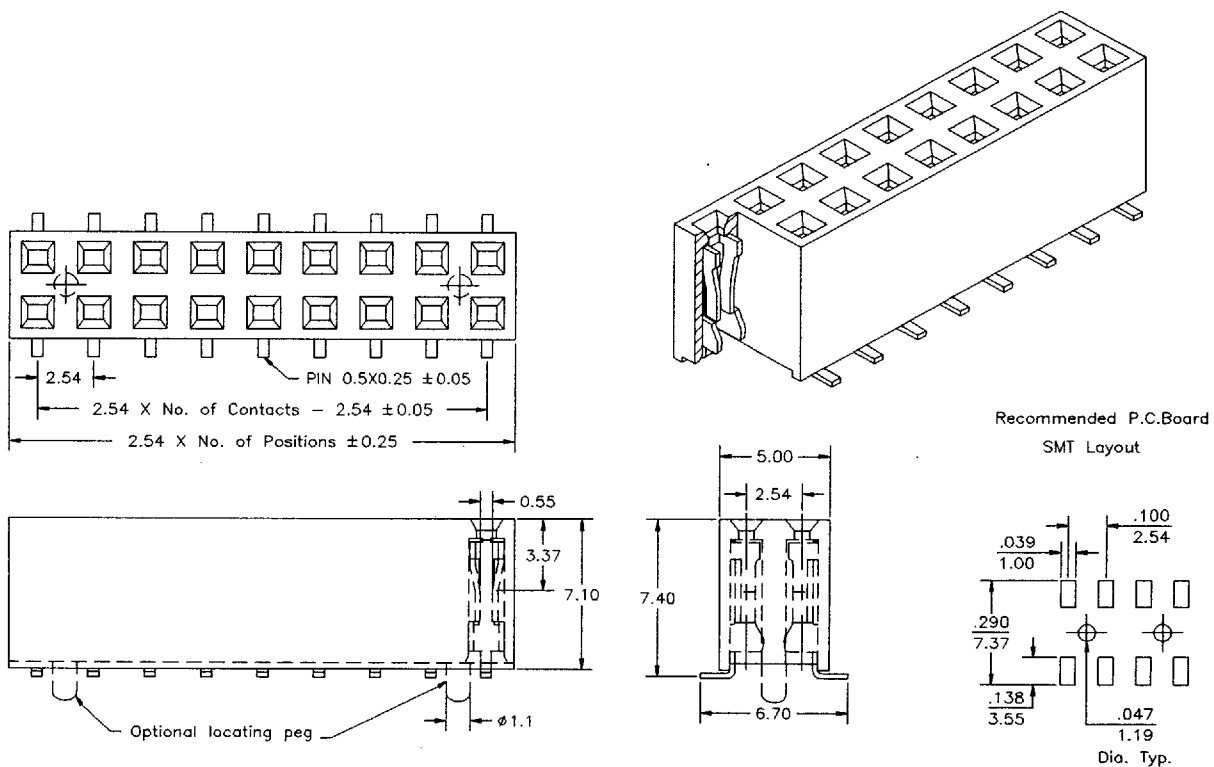
Finish: Tin, Gold or Selective gold

© Note:

Selective gold: gold plated on contact area,  
Tin on solder area

### SPECIFICATIONS

Current Rating: 3 Amps  
 Insulator resistance: 5000 Megohms Min.  
 Contact resistance: 20 m ohm Max.  
 Dielectric withstanding: AC 500 V  
 Max Processing Temp: 230° for 30~60 seconds  
 (260° for 10 seconds)  
 Operating Temperature: -40° - +105°C  
 Contact Material: Phospher bronze  
 Insulator Material: Polyester, UL 94V-0  
 ©Standard: Nylon



### Order Information 2832 Series

Example: 2832 - 20 - S - 02 - 1 - 0:W/O Locating peg  
 1:W Locating peg

Series No.	Number of Contacts	Connector Type	Contact Plating
2832	04 to 80 Contacts	Straight S	Tin Plated 01
			Gold Plated
			Flash 02
			10 μ" 10
			30 μ" 30

SINGATRON ENT. CO., LTD. Tel.: (909) 464-1883 Fax.: (909) 464-1884

9011184 0000114 366