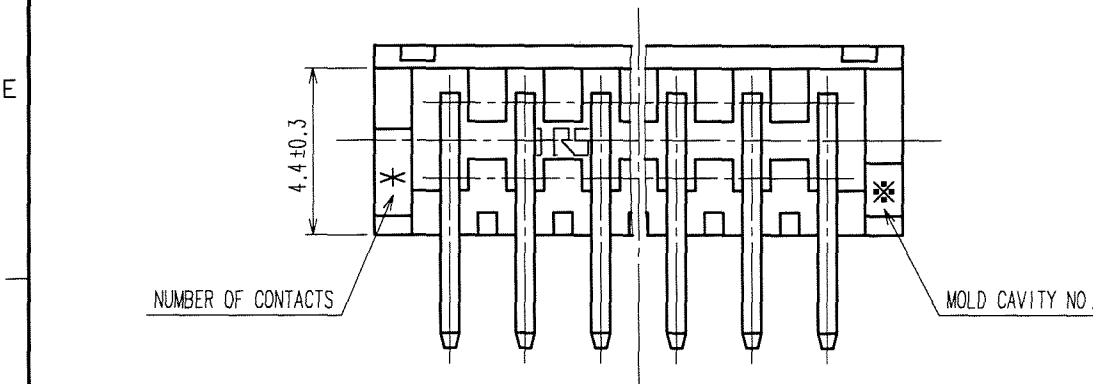
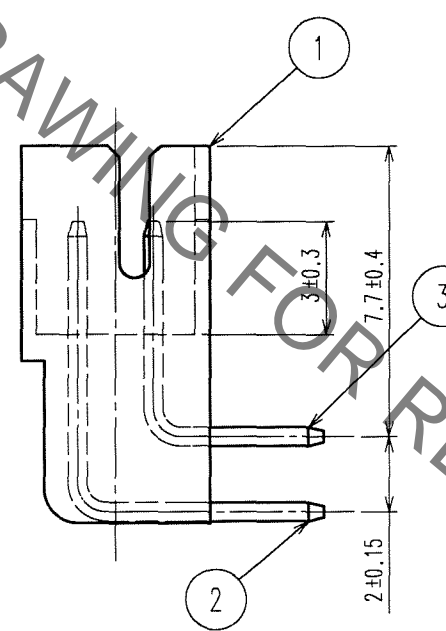
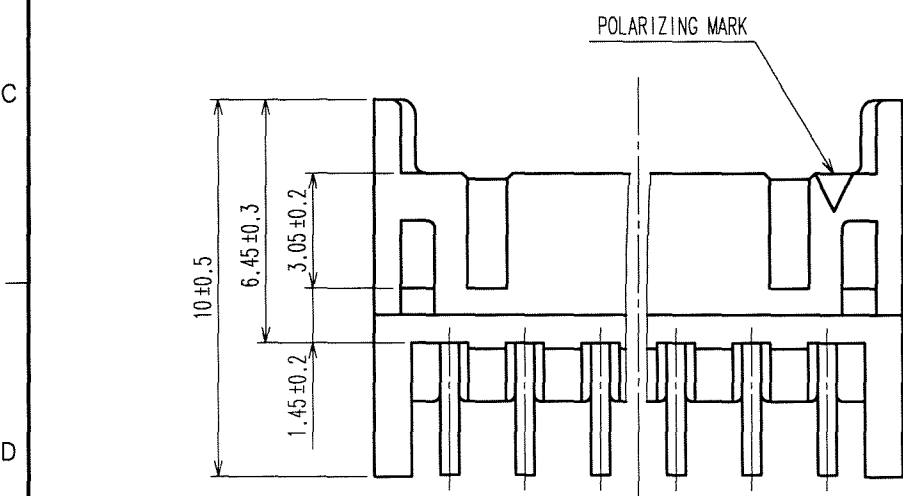
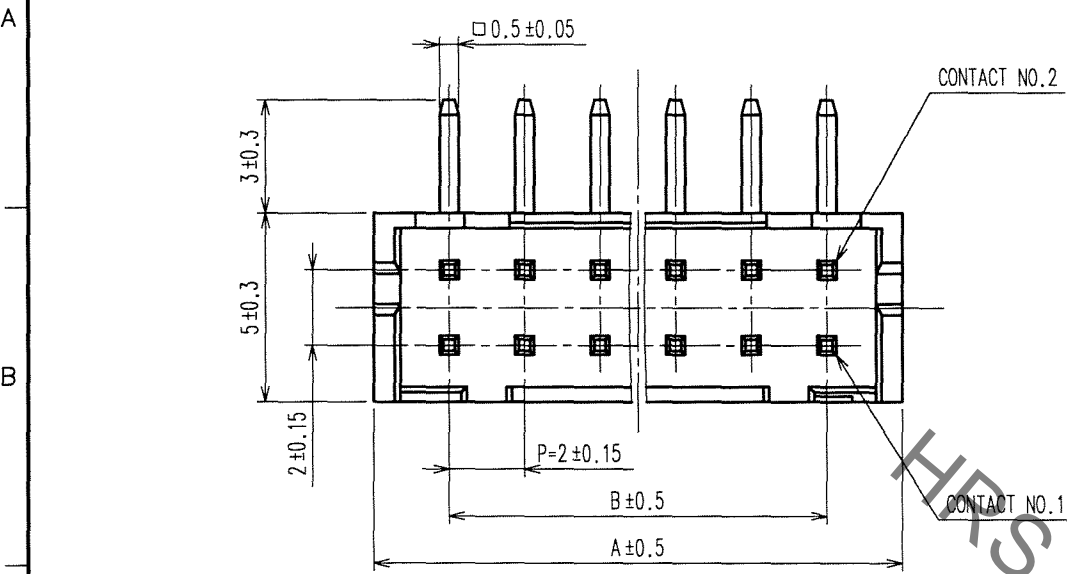


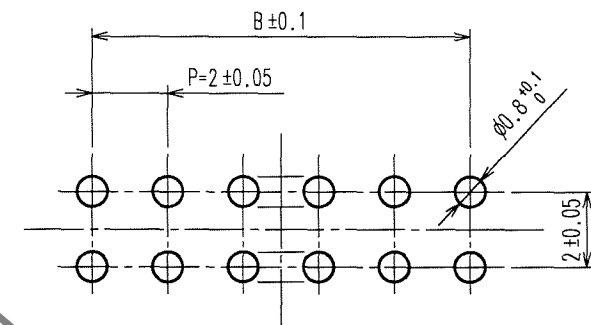
Aug.1.2019 Copyright 2019 HIROSE ELECTRIC CO., LTD. All Rights Reserved.  
In case of consideration for using Automotive equipment / device which demand high reliability, kindly contact our sales window correspondents.

COUNT	DESCRIPTION OF REVISIONS	BY	CHKD	DATE	COUNT	DESCRIPTION OF REVISIONS	BY	CHKD	DATE
2	DIS-H-000979	N.H	H.U	06-05-17					



HRS NO	PART NO	NUMBER OF CONTACT	A	B
CL543-0533-1-52	DF11- 4DP-2DS (52)	4	6	2
CL543-0534-4-52	DF11- 6DP-2DS (52)	6	8	4
CL543-0535-7-52	DF11- 8DP-2DS (52)	8	10	6
CL543-0536-0-52	DF11-10DP-2DS (52)	10	12	8
CL543-0537-2-52	DF11-12DP-2DS (52)	12	14	10
CL543-0538-5-52	DF11-14DP-2DS (52)	14	16	12
CL543-0539-8-52	DF11-16DP-2DS (52)	16	18	14
CL543-0540-7-52	DF11-18DP-2DS (52)	18	20	16
CL543-0541-0-52	DF11-20DP-2DS (52)	20	22	18
CL543-0542-2-52	DF11-22DP-2DS (52)	22	24	20
CL543-0543-5-01	DF11-24DP-2DS (52)	24	26	22
CL543-0544-8-01	DF11-26DP-2DS (52)	26	28	24
CL543-0545-0-01	DF11-28DP-2DS (52)	28	30	26
CL543-0546-3-01	DF11-30DP-2DS (52)	30	32	28
CL543-0547-6-01	DF11-32DP-2DS (52)	32	34	30

RECOMMENDED PATTERN



2	BRASS	SURFACE:GOLD PLATED 0.2 $\mu$ m min UNDER PLATING:NICKEL PLATED 1 $\mu$ m min	5	ELASTMER	STOPPER, CLEAR
1	POLYAMIDE	UL94V-0, BLACK	4	PS	ELECTROSTATIC PROTECTION, CLEAR
			3	BRASS	SURFACE:GOLD PLATED 0.2 $\mu$ m min UNDER PLATING:NICKEL PLATED 1 $\mu$ m min

NO.	MATERIAL	FINISH, REMARKS	NO.	MATERIAL	FINISH, REMARKS		
CODE NO. (OLD)	CL		DRAWN	DESIGNED	CHECKED	APPROVED	RELEASED
			Y.NAGASHIMA	T.Arai	C.Hanami	K.Katayose	
			'00.07.25	'00.08.07	'00.08.21	'00.08.21	

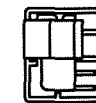
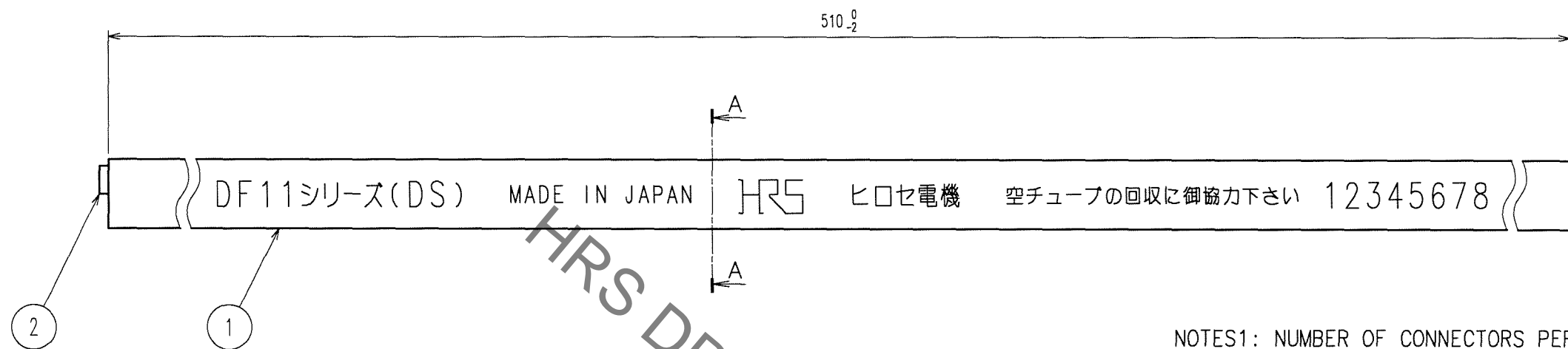
SCALE	5 : 1	DRAWING NO.	EDC3-162390-02	PART NO.	DF11-*DP-2DS(52)
UNITS	mm	HIROSE ELECTRIC CO., LTD		CODE NO.	CL543

TO

1/2

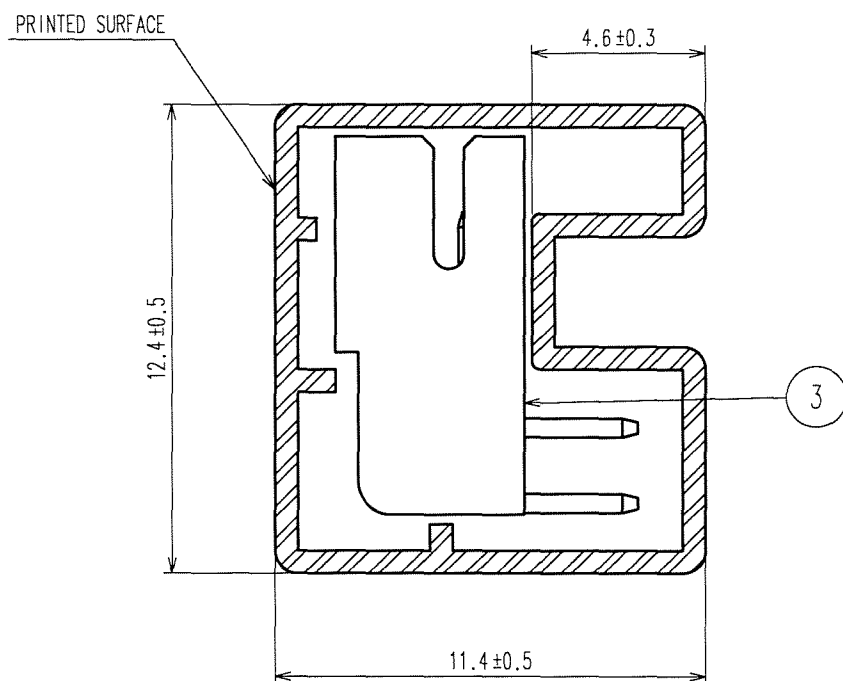
Aug.1.2019 Copyright 2019 HIROSE ELECTRIC CO., LTD. All Rights Reserved.  
In case of consideration for using Automotive equipment / device which demand high reliability, kindly contact our sales window correspondents.

COUNT	DESCRIPTION OF REVISIONS	BY	CHKD	DATE	COUNT	DESCRIPTION OF REVISIONS	BY	CHKD	DATE
△				..	△				..
△				..	△				..
△				..	△				..



NOTES1: NUMBER OF CONNECTORS PER A TUBE SHALL BE IN ACCORDANCE WITH THE LIST BELOW.  
2: THESE CONNECTORS SHALL BE ON SALED IN ACCORDANCE WITH THE MULTIPLE QUANTITY ON THE LIST.

A-A (5:1)



CODE No.	PART No.	NUMBER OF CONNECTORS
543-0533-1-52	DF11- 4DP-2DS (52)	81
543-0534-4-52	DF11- 6DP-2DS (52)	61
543-0535-7-52	DF11- 8DP-2DS (52)	48
543-0536-0-52	DF11-10DP-2DS (52)	40
543-0537-2-52	DF11-12DP-2DS (52)	34
543-0538-5-52	DF11-14DP-2DS (52)	30
543-0539-8-52	DF11-16DP-2DS (52)	27
543-0540-7-52	DF11-18DP-2DS (52)	24
543-0541-0-52	DF11-20DP-2DS (52)	22
543-0542-2-52	DF11-22DP-2DS (52)	20
543-0543-5-52	DF11-24DP-2DS (52)	18
543-0544-8-52	DF11-26DP-2DS (52)	17
543-0545-0-52	DF11-28DP-2DS (52)	16
543-0546-3-52	DF11-30DP-2DS (52)	15
543-0547-6-52	DF11-32DP-2DS (52)	14

TO

CODE NO. (OLD) CL	DRAWN Y.NAGASHIMA '00.07.25	DESIGNED T.Arai '00.08.07	CHECKED C.Hanami '00.08.21	APPROVED K.Katayose '00.08.21	RELEASED
SCALE FR:EE	DRAWING NO. EDC3-162390-02		PART NO. DF11-*DP-2DS(52)		
UNITS mm	HRS HIROSE ELECTRIC CO., LTD		CODE NO. CL543		2