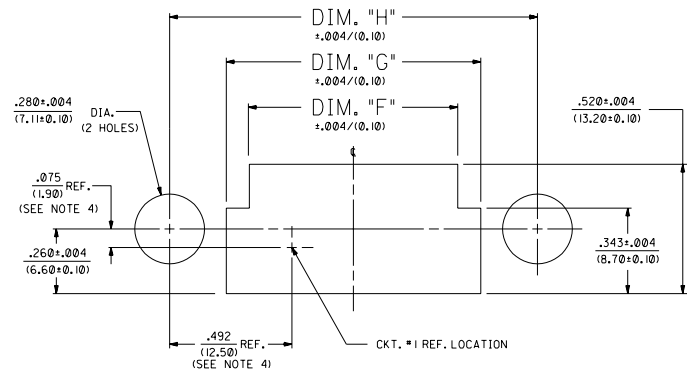
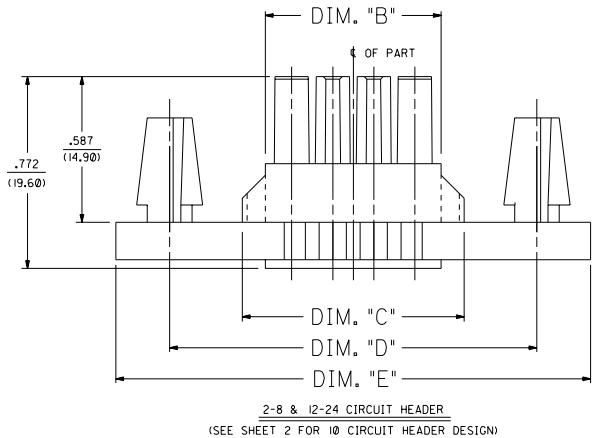
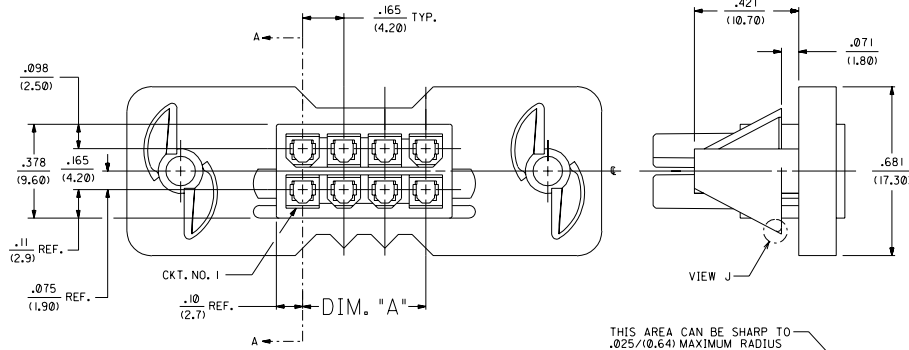


SECTION "A-A"
TERMINAL ORIENTATION



RECOMMENDED PANEL CUT-OUT FOR .050±.012/(1.27±0.30) THICK PANEL
(SEE NOTE 11)

THIS AREA CAN BE SHARP TO
.025/(0.64) MAXIMUM RADIUS

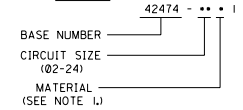


CKT. SIZE	42474							
	DIM. "A"	DIM. "B"	DIM. "C"	DIM. "D"	DIM. "E"	DIM. "F"	DIM. "G"	DIM. "H"
2	N/A	.213 (5.40)	.398 (10.10)	.984 (25.00)	1.417 (36.00)	.343 (8.70)	.528 (13.40)	.984 (25.00)
4	N/A	.165 (4.20)	.378 (9.60)	.563 (14.30)	1.150 (29.20)	1.583 (40.20)	.503 (12.90)	1.150 (29.20)
6	.331 (8.40)	.543 (13.80)	.728 (18.50)	1.315 (33.40)	1.748 (44.40)	.673 (17.10)	.858 (21.80)	1.315 (33.40)
8	.496 (12.60)	.709 (18.00)	.894 (22.70)	1.480 (37.60)	1.913 (48.60)	.839 (21.30)	1.024 (26.00)	1.480 (37.60)
10	.661 (16.80)	.874 (22.30)	1.059 (26.90)	1.645 (41.80)	2.075 (52.80)	1.004 (25.50)	1.189 (30.20)	1.645 (41.80)
12	.827 (21.00)	1.039 (26.40)	1.224 (31.10)	1.811 (46.00)	2.244 (57.00)	1.169 (29.70)	1.354 (34.40)	1.811 (46.00)
14	1.092 (27.80)	1.295 (32.80)	1.500 (38.10)	2.087 (53.00)	2.509 (63.90)	1.335 (33.90)	1.520 (38.60)	2.087 (53.00)
16	1.157 (29.40)	1.370 (34.80)	1.555 (39.50)	2.142 (54.40)	2.575 (65.40)	1.380 (34.90)	1.565 (39.80)	2.142 (54.40)
18	1.323 (33.60)	1.535 (39.00)	1.720 (43.70)	2.307 (58.60)	2.740 (69.60)	1.465 (37.10)	1.650 (42.00)	2.307 (58.60)
20	1.488 (37.80)	1.701 (43.20)	1.886 (47.90)	2.472 (62.80)	2.906 (73.80)	1.511 (38.80)	1.701 (43.20)	2.472 (62.80)
22	1.653 (42.00)	1.866 (47.40)	2.051 (52.10)	2.638 (67.00)	3.071 (78.00)	1.596 (40.70)	1.781 (45.40)	2.638 (67.00)
24	1.819 (46.20)	2.031 (51.60)	2.217 (56.30)	2.803 (71.20)	3.236 (82.20)	1.611 (41.30)	1.801 (45.90)	2.803 (71.20)

NOTES:

- MATERIAL:
 *1= NYLON 6/6, 94V-2, COLOR: NATURAL.
 *2= NYLON 6/6, 94V-0, COLOR: NATURAL.
 *3= NYLON 6/6, 94V-2, COLOR: BLACK.
 *4= NYLON 6/6, 94V-0, COLOR: BLACK.
- PART IS DESIGNED IN METRIC.
- PART TO BE USED WITH MOLEX FEMALE TERMINAL *5556.
- THIS DIMENSION TO BE USED FOR ALIGNMENT OF THE MATING CONNECTOR.
- THIS CONNECTOR ALLOWS FOR .050/(1.27) MAX. MISALIGNMENT IN ANY DIRECTION.
- A MAXIMUM TOLERANCE OF .050/(1.27) ALLOWS FOR 2 POINTS OF ELECTRICAL CONTACT.
 A MAXIMUM TOLERANCE OF .020/(0.51) ALLOWS FOR 4 POINTS OF CONTACT.
- PART MATES WITH MINI-FIT B.M.I. PLUG *42475, AND HEADERS 42404, 42440, 43810, 44068 & 43879.
- PRODUCT SPECIFICATION: PS-5556-002
- CONNECTOR ASSEMBLIES ARE NOT TO BE MATED OR UNMATED WHILE CIRCUITS ARE LIVE.
- THIS PART IS INTENDED FOR ONE PANEL INSERTION ONLY. REMOVAL AND RE-INSERTION CAN DAMAGE THE MOUNTING SPIRALS.
- PANEL SHOULD BE PUNCHED IN THE DIRECTION OF CONNECTOR INSERTION.
- BOTH SPIRALS SHOULD BE INSERTED INTO THE PANEL AT THE SAME TIME. ROCKING THE PART INTO PLACE MAY CAUSE SPIRAL DAMAGE.
- THIS PART IS NOT INTENDED TO PROVIDE ANY ALIGNMENT OF CUSTOMER COMPONENTS OR MODULES, SUCH AS POWER SUPPLIES AND CHASSIS.
- IF THIS PRODUCT IS STORED IN AN ENVIRONMENT WITH A RELATIVE HUMIDITY OF LESS THAN 50%, MOISTURE MUST BE ADDED AS PER THE FOLLOWING:
 A) ADD 0.4 oz. OF DEIONIZED WATER PER 1.0 lb. OF PRODUCT
 B) RESEAL PLASTIC BAG AFTER MOISTURIZATION

LEGEND:



42474 - ** 1

BASE NUMBER

CIRCUIT SIZE (02-24)

MATERIAL (SEE NOTE 1)

MFG. SH.	REV.	LTR.	REVISIONS
1	N	M	

ADDED VIEW J
UCP2003-1689
2-6-93 POLCAR

REV. PS. NOTE
UCP2003-9396
3/1/2002 SAMIEC

2 LB

1 N

1 M

REV. PS. NOTE
UCP2003-9396
3/1/2002 SAMIEC

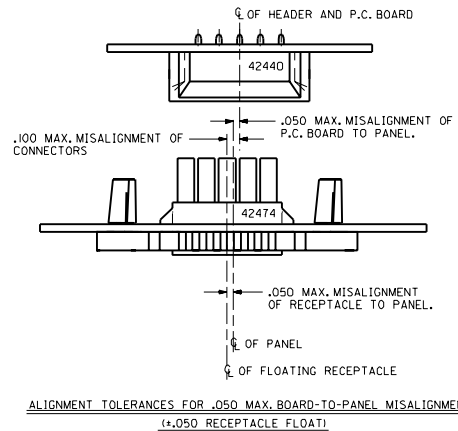
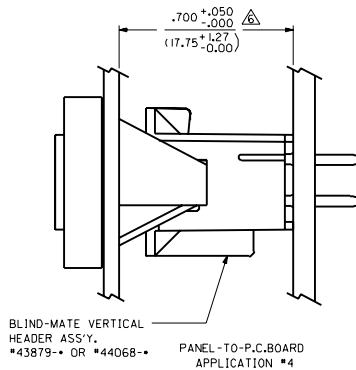
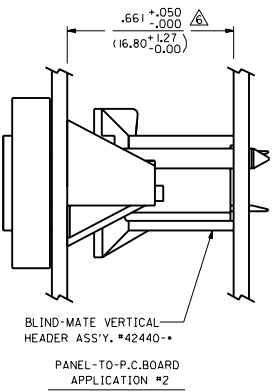
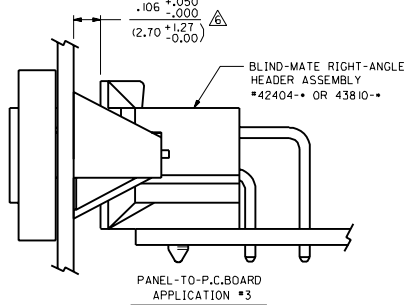
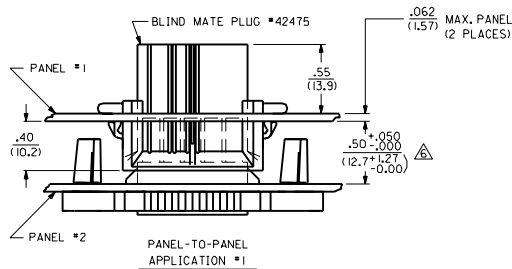
MOLEX INCORPORATED

DATE: 8/24/89

SCALE: 4:1

SEE CHART SD-42474-***

13				12				11				10				9				8				7				6				42474				4				3				2				1																																																								
PART NUMBER	ENG. NUMBER	CKT. SIZE	MATERIAL (SEE NOTE 1.)	PART NUMBER	ENG. NUMBER	CKT. SIZE	MATERIAL (SEE NOTE 1.)	PART NUMBER	ENG. NUMBER	CKT. SIZE	MATERIAL (SEE NOTE 1.)	PART NUMBER	ENG. NUMBER	CKT. SIZE	MATERIAL (SEE NOTE 1.)	ITEM NUMBER	CKT. SIZE	MATERIAL (SEE NOTE 1.)	ITEM NUMBER	CKT. SIZE	MATERIAL (SEE NOTE 1.)	ITEM NUMBER	CKT. SIZE	MATERIAL (SEE NOTE 1.)	ITEM NUMBER	CKT. SIZE	MATERIAL (SEE NOTE 1.)	ITEM NUMBER	CKT. SIZE	MATERIAL (SEE NOTE 1.)	ITEM NUMBER	CKT. SIZE	MATERIAL (SEE NOTE 1.)																																																																							
J	NOT TOOLED	42474-0211	2	94V-2	NOT TOOLED	42474-0221	2	94V-0	NOT TOOLED	42474-0231	2	94V-2	NOT TOOLED	42474-0241	2	94V-2	NOT TOOLED	42474-0431	4	94V-2	NOT TOOLED	42474-0441	4	94V-0	NOT TOOLED	42474-0631	6	94V-2	NOT TOOLED	42474-0641	6	94V-0	NOT TOOLED	42474-0831	8	94V-2	NOT TOOLED	42474-0841	8	94V-0	NOT TOOLED	42474-1031	10	94V-2	NOT TOOLED	42474-1041	10	94V-0	NOT TOOLED	42474-1231	12	94V-2	NOT TOOLED	42474-1241	12	94V-0	NOT TOOLED	42474-1431	14	94V-2	NOT TOOLED	42474-1441	14	94V-0	NOT TOOLED	42474-1631	16	94V-2	NOT TOOLED	42474-1641	16	94V-0	NOT TOOLED	42474-1831	18	94V-2	NOT TOOLED	42474-1841	18	94V-0	NOT TOOLED	42474-2031	20	94V-2	NOT TOOLED	42474-2041	20	94V-0	NOT TOOLED	42474-2231	22	94V-2	NOT TOOLED	42474-2241	22	94V-0	NOT TOOLED	42474-2431	24	94V-2	NOT TOOLED	42474-2441	24	94V-0



DIMENSIONS SHOWN METRIC INCH UNLESS OTHERWISE SPECIFIED TOLERANCES ANGLES IN ° DEC 50

	INCH	METRIC
3 PLACE	± .001	± .025
2 PLACE	± .005	± .127
1 PLACE	± .015	± .381

DRAFT WHERE APPLICABLE MUST REMAIN WITHIN DIMENSIONS

DRWG. BY: LEM CHK'D. BY: MB
APP'D. BY: RE SCALE: 1:1

REVISIONS

LTR.	REVISIONS	LTR.	REVISIONS
L8	SEE SHEET #1		
L7	SEE SHEET #1		
L6	SEE SHEET #1		
L5	SEE SHEET #1		

REVISIONS

THIS DRAWING CONTAINS INFORMATION THAT IS PROPRIETARY TO MOLEX INC. AND SHOULD NOT BE USED WITHOUT WRITTEN PERMISSION

MOLEX INCORPORATED
LITTLE ROCK, AR 72114 U.S.A.
60532

DATE: 99/03/24
SHEET NO.: 2

PART NO.: SD-42474-****
SEE CHART

FILE NAME: 542474X1.DWG

SIZE: CP C

Datasheet

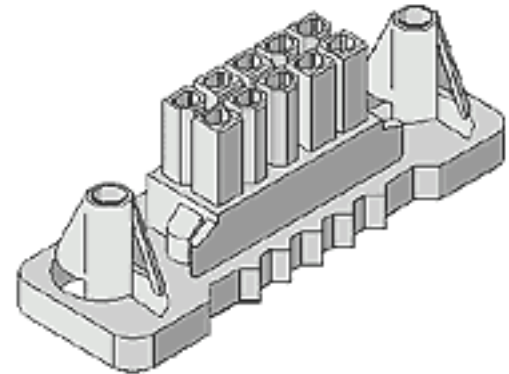
Crimp Housings

4.20mm (.165") Pitch Mini-Fit, BMI™ Receptacle, Dual Row With Panel Mount Ears 42474

[[Home](#) > [Products](#) > [Crimp Housings](#) > [Datasheet](#)]

[Help](#)

Status	Active
Gender	Female
Wire Entry Angle	Vertical
Circuits / Positions	4, 6, 8, 10, 14, 18, 24, 36
Pitch / Center Spacing	4.20mm (.165")
Rows	2
Mates With	42404, 42440, 42475, 43810c, 43810b, 43810a, 43810d, 43879, 44068a, 44068b, 44068c, 44068d, 44474
Use With	5556, 44476, 44485
Designed In	Millimeters
Temperature Range	-40°C to +105°C
Contact Insertion Force-max. (per circuit)	14.7N (3.30 lb)
Contact Retention Force-min. (per circuit)	30.0N (6.74 lb)
Mating Force-max. (per circuit)	6.9N (1.54 lb)
Normal Force-min. (per circuit)	1.96N (0.44 lb)
Unmating Force-min. (per circuit)	3.0N (0.67 lb)
Panel Mount	Yes
Panel Thickness	1.27mm (.050")
Packaging	Bag
Housing Material	Nylon 6/6
Flammability	UL 94V-0, UL 94V-2
Stackable	No
Product Specification	PS-5556-002
UL File No.	E29179



Features and Benefits

- Panel mount receptacle for wire-to-wire or wire-to-board blind mating applications
- Connectors float in panel cutout up to 1.27mm (.050") in x-y direction to self-align with the mating flange of Mini-Fit, BMI™ plugs or Mini-Fit, BMI, Mini-Fit SMC™ and Mini-Fit, CPI™ headers
- Fully isolated terminals to protect contacts from damage
- Uses standard Mini-Fit™ series female terminals
- Fully polarized to plug or header to prevent mismatching

CSA File No.	LR19980
TUV File No.	R75142
MX01 Catalog Page	F-63
Product Name	Mini-Fit, BMI™
Molex Series	42474

[E-mail this page to a friend](#)

[© Copyright 2002 Molex Incorporated]