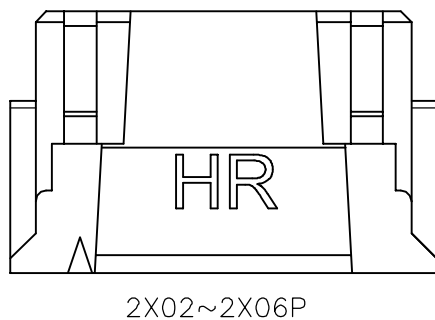
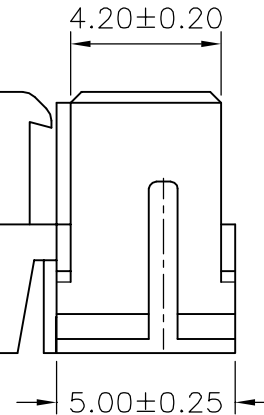
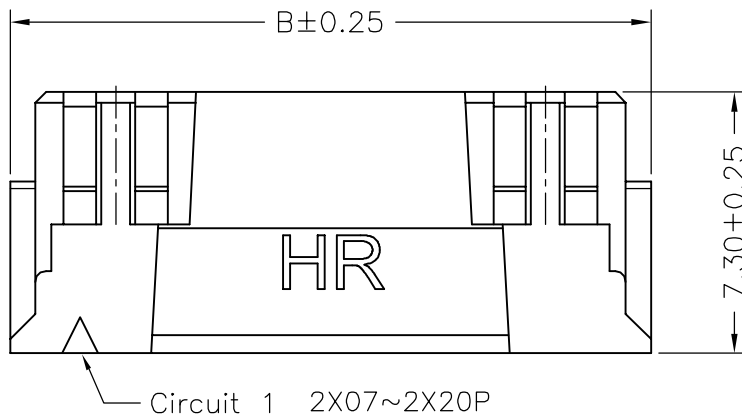

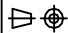


SPECIFICATIONS
 Current Rating: 3A AC,DC
 Voltage Rating: 250V AC,DC
 Temperature Range: $-25^{\circ}\text{C} \sim +85^{\circ}\text{C}$
 Contact Resistance: 10mΩ Max.
 Insulation Resistance: 1000MΩ Min.
 Withstanding Voltage: 800V AC/minute
 Material: Nylon 66,UL94V-0
 Color: Natural(White)

Ordering Information & Dimensions

PART NO.	Dimensions	
	A	B
A2004HB-2X02P	2.00	5.90
A2004HB-2X03P	4.00	7.90
A2004HB-2X04P	6.00	9.90
A2004HB-2X05P	8.00	11.90
A2004HB-2X06P	10.00	13.90
A2004HB-2X07P	12.00	15.90
A2004HB-2X08P	14.00	17.90
A2004HB-2X09P	16.00	19.90
A2004HB-2X10P	18.00	21.90
A2004HB-2X11P	20.00	23.90
A2004HB-2X12P	22.00	25.90
A2004HB-2X13P	24.00	27.90
A2004HB-2X14P	26.00	29.90
A2004HB-2X15P	28.00	31.90
A2004HB-2X16P	30.00	33.90
A2004HB-2X17P	32.00	35.90
A2004HB-2X18P	34.00	37.90
A2004HB-2X19P	36.00	39.90
A2004HB-2X20P	38.00	41.90



				JOINT TECH ELECTRONIC IND. CO., LTD. JOY DAY INDUSTRIAL CO., LTD.	
		UNIT	SCALE	SHEET	TITLE:
		mm		1 of 1	2.00mm PITCH HOUSING
		DRAWN BY	APPROVED BY		
		歐陽小強 2008.01.08	謝瑞清 2008.01.08		
		GENERAL TOLERANCE			
		X. X±0.25	ANGLE±		DRAW NO. : A2004HB-2XNP
A0	NEW RELEASE	2008.01.08	X. XX±0.15		
REV.	DESCRIPTION	DATE	X. XXX±0.05		