

## SSR8045CTN and SSR8045CTP Series

### 80 Amp SCHOTTKY CENTERTAP RECTIFIER 45 Volts

- Features:**
- Low Reverse Leakage
  - Low Forward Voltage Drop
  - Guard Ring for Overload Protection
  - Isolated Hermetically Sealed Power Package
  - Also available in SMD1 and SMD2 Versions
  - TO-259 Available with Ceramic Seals w/ 40 mil pin
  - TO-259 Custom Lead Forming Available
  - 175°C Operating Temperature
  - TX, TXV, and S Level Screening Available

### DESIGNER'S DATA SHEET

**Part Number / Ordering Information** <sup>1/</sup>

**SSR8045CT PA UB TX**

Screening <sup>2/</sup>      = Not Screened  
 TX = TX Level  
 TXV = TXV Level  
 S = S Level

Lead Bending:  
     = Straight  
 UB = Up Bend  
 DB = Down Bend

Package: N = TO-258  
 P = TO-259, 60 mil pin  
 PA = TO-259, 40 mil pin

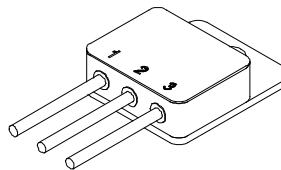
Configuration: CT = Common Cathode  
 CA = Common Anode  
 D = Doubler  
 DR = Doubler Reverse

Maximum Ratings	Symbol	Value	Units
<b>Peak Repetitive Reverse and DC Blocking Voltage</b>	$V_{RRM}$ $V_{RSM}$ $V_R$	45	Volts
<b>Average Rectified Forward Current</b> <sup>3/</sup> (Resistive Load, 60 Hz Sine Wave, $T_A = 25^\circ\text{C}$ )	$I_o$	80	Amps
<b>Peak Surge Current</b> <sup>3/</sup> (8.3 ms Pulse, Half Sine Wave, $T_A = 25^\circ\text{C}$ )	$I_{FSM}$	1200	Amps
<b>Operating &amp; Storage Temperature</b>	$T_{OP}$ & $T_{STG}$	-65 to +175	°C
<b>Maximum Thermal Resistance</b> Junction to Case	Total Per Leg $R_{\theta JE}$	0.5 1.0	°C/W

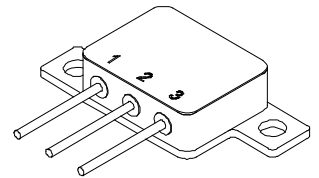
**NOTES:**

- 1/ For ordering information, price, operating curves, and availability Contact factory.
- 2/ Screening based on MIL-PRF-19500. Screening flows available on request.
- 3/ Maximum electrical rating shown for centertap configurations both legs tied together. For doubler configurations:  $I_o = 40A$ ,  $I_{FSM} = 600A$ .
- 4/ All electrical characteristics per leg @25°C, unless otherwise specified.

TO-258 (N)



TO-259 (P)





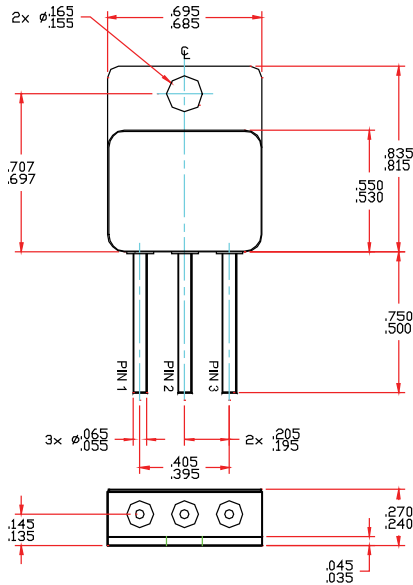
**Solid State Devices, Inc.**

14701 Firestone Blvd \* La Mirada, Ca 90638  
 Phone: (562) 404-4474 \* Fax: (562) 404-1773  
 ssdi@ssdi-power.com \* www.ssdi-power.com

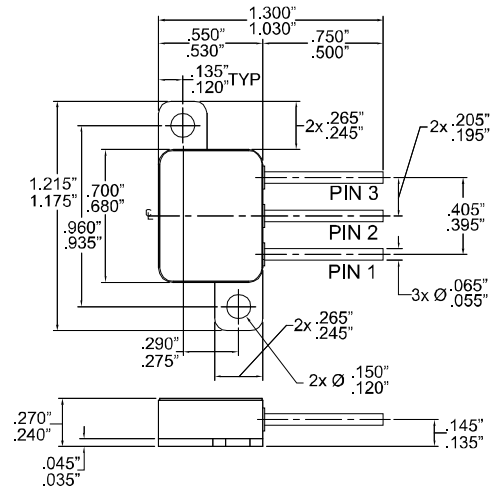
## SSR8045CTN and SSR8045CTP Series

Electrical Characteristic <sup>4/</sup>		Symbol	Min	Max	Units
<b>Instantaneous Forward Voltage Drop</b> (T <sub>A</sub> = 25°C, 300 – 500usec Pulse)	I <sub>F</sub> = 10A	V <sub>F1</sub>	—	0.53	V <sub>DC</sub>
	I <sub>F</sub> = 20A	V <sub>F2</sub>	—	0.65	
	I <sub>F</sub> = 40A	V <sub>F3</sub>	—	0.90	
<b>Instantaneous Forward Voltage Drop</b> (T <sub>A</sub> = -55°C, 300 – 500usec Pulse)	I <sub>F</sub> = 20A	V <sub>F4</sub>	—	0.72	V <sub>DC</sub>
<b>Reverse Leakage Current</b> (100% of rated V <sub>R</sub> , 300μs pulse min.)	T <sub>A</sub> = 25°C	I <sub>R1</sub>	—	400	μA
	T <sub>A</sub> = 100°C	I <sub>R2</sub>	—	30	mA
<b>Junction Capacitance</b> (V <sub>R</sub> =10V <sub>DC</sub> , T <sub>A</sub> =25°C, f=1MHz)		C <sub>J</sub>	—	1600	pF

**TO-258 Outline:**



**TO-259 Outline:**



**Available Part Numbers:**

SSR8045CTN, SSR8045CTNUB, SSR8045CTNDB, SSR8045CTP, SSR8045CTPUB, SSR8045CTPDB, SSR8045CTPA, SSR8045CTPAUB, SSR8045CTPADB, SSR8045CAN, SSR8045CANUB, SSR8045CANDB, SSR8045CAP, SSR8045CAPUB, SSR8045CAPDB, SSR8045CAPA, SSR8045CAPAUB, SSR8045CAPADB, SSR8045DN, SSR8045DNUB, SSR8045DNDB, SSR8045DP, SSR8045DPUB, SSR8045DPDB, SSR8045DPA, SSR8045DPAUB, SSR8045DPADB, SSR8045DRN, SSR8045DRNUB, SSR8045DRNDB, SSR8045DRP, SSR8045DRPUB, SSR8045DRPDB, SSR8045DRPA, SSR8045DRPAUB, SSR8045DRPADB

**PIN ASSIGNMENT:**

TO-258	Pin 1	Pin 2	Pin 3
TO-259	Pin 1	Pin 2	Pin 3
Common Cathode (CT)	Anode	Cathode	Anode
Common Anode (CA)	Cathode	Anode	Cathode
Doubler (D)	Cathode	Common	Anode
Doubler Reverse (DR)	Anode	Common	Cathode

**NOTE:** All specifications are subject to change without notification. SCD's for these devices should be reviewed by SSDI prior to release.

**DATA SHEET #: RS0065J**

**DOC**