

# D-Subminiature High Density - Vertical Mount



**4113-[\*]H**  
Male / PCB vertical mount



**4114-[\*]H**  
Female / PCB vertical mount

\*Number of contacts; Options are:  
**15, 26, 44, 62, 78**

**FEATURES:**

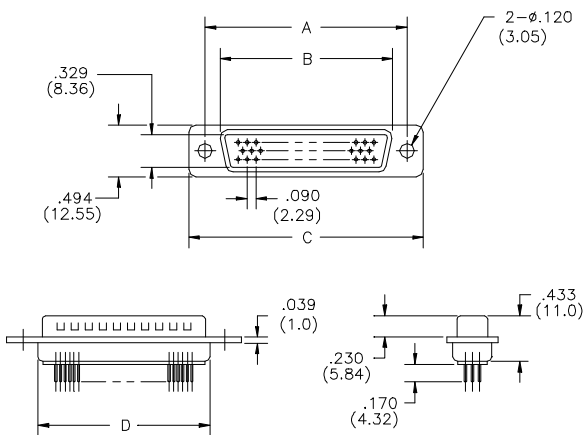
- Bright tin shell for excellent EMC / grounding
- Five shell sizes
- Indentations on male for optimum mating retention & grounding
- Mates with all industry high density standard D-Subminiature connectors
- Pre-loaded precision formed contacts

**ELECTRICAL:**

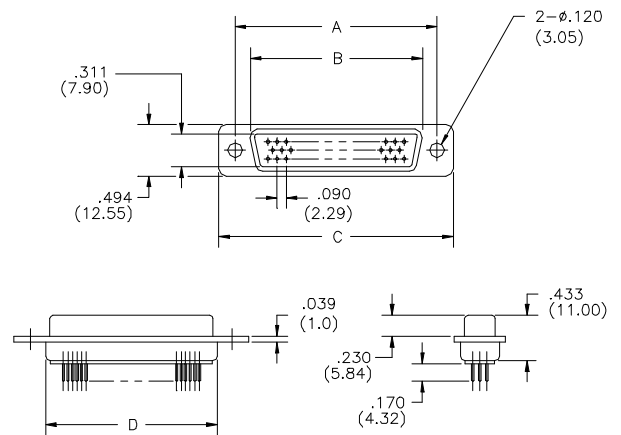
- Current rating: 2 AMP maximum
- Contact resistance: 15 milliohms maximum
- Insulation resistance: 5000 Megohms minimum
- Dielectric withstanding voltage: 1000 VAC minimum

**MATERIAL:**

- Insulator: UL94V-0 / PBT Glass filled
- Contacts: Phosphor bronze or Brass
- Plating: Gold over nickel in contact area
- Operating temperature: -55°C to +105°C
- Shell: steel, zinc plated or tin plated
- Color: Black



**4113 Male**



**4114 Female**

NO. OF POS.	A ±.005(0.13)	B ±.010(0.25)	C ±.015(0.38)	D ±.010(0.25)
15	.984 (24.99)	.666 (16.92)	1.213 (30.80)	.759 (19.28)
26	1.312 (33.32)	.994 (25.25)	1.541 (39.14)	1.083 (27.51)
44	1.852 (47.04)	1.534 (38.96)	2.088 (53.04)	1.625 (41.30)
62	2.500 (63.50)	2.181 (55.42)	2.729 (69.32)	2.272 (57.70)
78	2.406 (61.11)	2.079 (52.81)	2.635 (66.93)	2.178 (55.32)

NO. OF POS.	A ±.005(0.13)	B ±.010(0.25)	C ±.015(0.38)	D ±.010(0.25)
15	.984 (24.99)	.643 (16.33)	1.213 (30.80)	.759 (19.28)
26	1.312 (33.32)	.971 (24.66)	1.541 (39.14)	1.083 (27.51)
44	1.852 (47.04)	1.511 (38.38)	2.088 (53.04)	1.625 (41.30)
62	2.500 (63.50)	2.159 (54.84)	2.729 (69.32)	2.272 (57.70)
78	2.406 (61.11)	2.064 (52.43)	2.635 (66.93)	2.178 (55.32)

050329