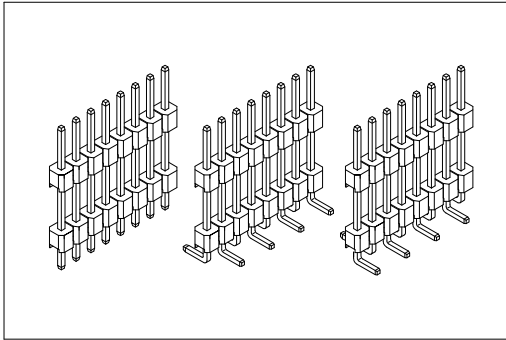


2012 Series

Pin Header 2.54mm(0.100")



Material:

Housing: Thermoplastic Polyester Glass Filled UL94V-0 for DIP Type.

High Temperature Plastic UL94V-0 for SMD Type.

Contacts: Copper Alloy.

Electrical Characteristics:

Current Rating: 2 A.

Dielectric Withstanding Voltage: AC 1000V.

Insulator Resistance: 1000MΩ min.

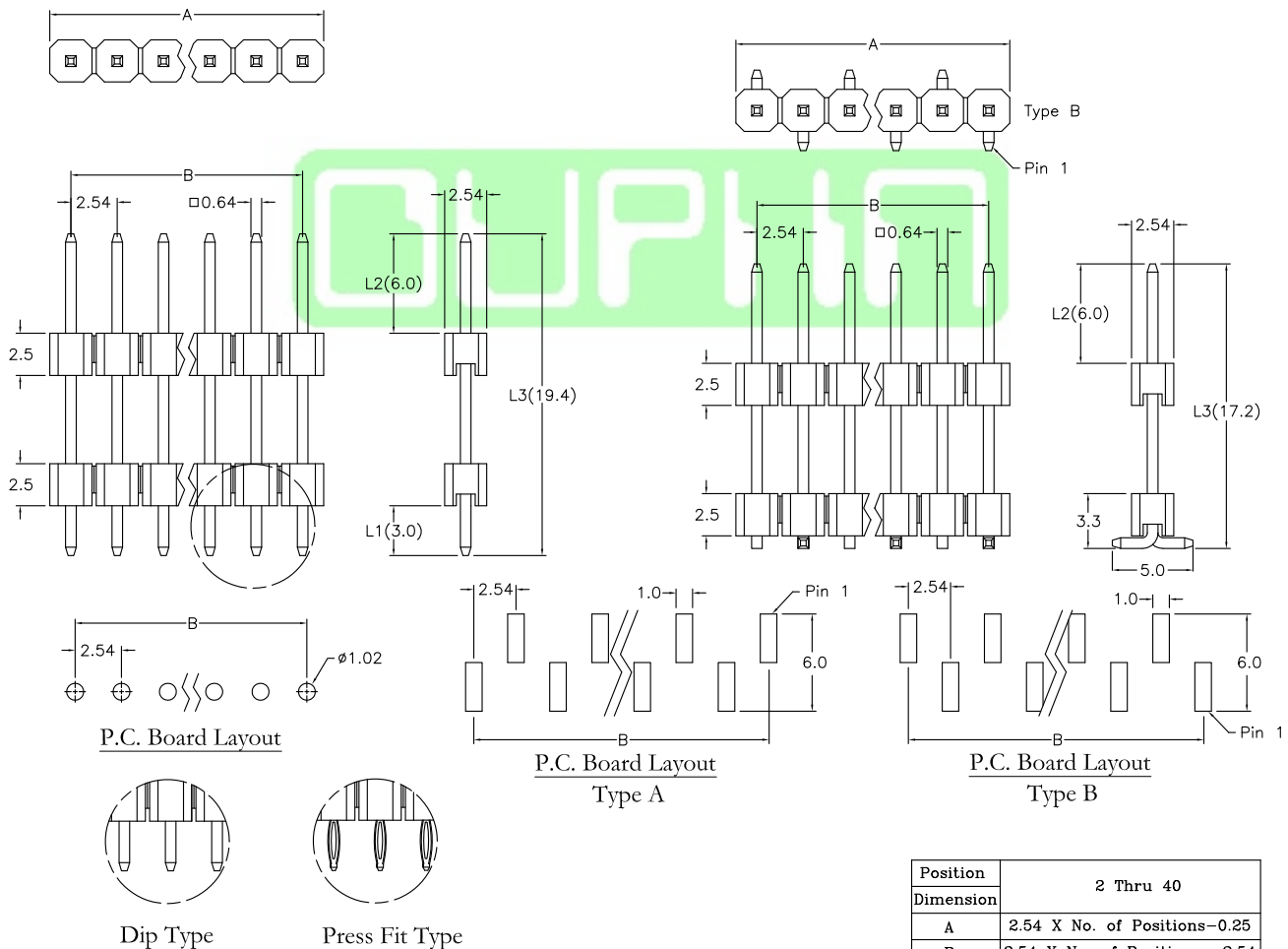
Contact Resistance: 20mΩ max.

Operating Temperature: -40°C~+105°C.

Features:

- * Dual insulators offer high versatility.
- * Side-to-side and end-to-end stackable.
- * Custom design provides excellent products flexibility.
- * Additional plating options available.

Mates with: 2006, 2041, 2042, 2043, 2044, 2045, 2047, 2048, 4071



Position Dimension	2 Thru 40
A	2.54 X No. of Positions -0.25
B	2.54 X No. of Positions -2.54

Ordering information

2012- 1 X 40 G 00 S P A -L1 -L2 -L3 B
 Series Single Row No. of Pin Per Row G: Gold Plated 00: G/F S: Straight D: SMD Type P: Press Fit A: Type A B: Bulk Package

Custom Design: Straight (i.e. 2012-1 X 40 G00S-L1-L2-L3); Surface Mount (i.e. 2012-1X 40 G00DA-L2-L3).
 L1: Dip Length; L2: Mating Length; L3: Overall Length.

*Foot Print Type A & B only apply to Surface Mount.