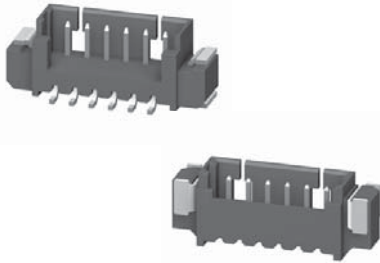


WIRE-TO-BOARD CONNECTORS 1,25 mm

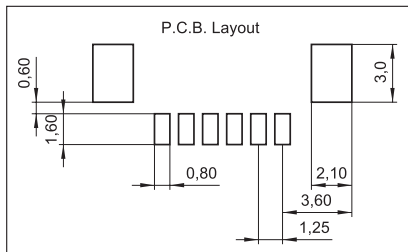
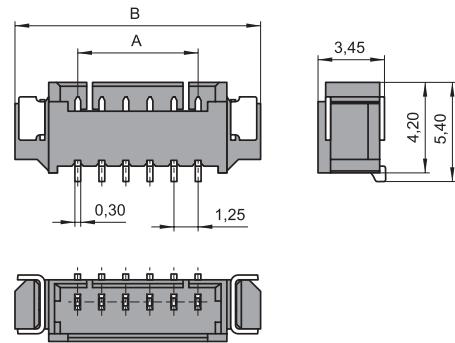
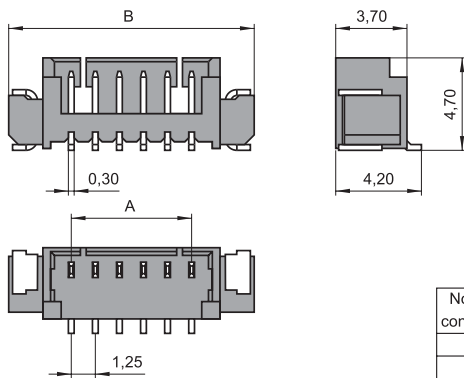
ID: 427

STL 125-0470 CSV/ STL 125-0420 CSP

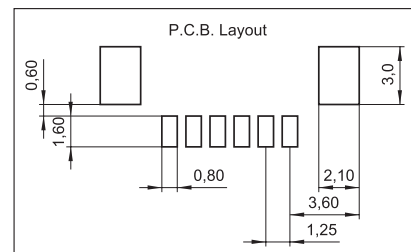


TECHNICAL DATA

Pitch	1,25 mm
Insulating Material	Thermoplast UL94V-0
Contact Material	copper alloy
Rated Current	1 Amp.
Rated Voltage	125 V _{AC/DC}
Withstanding Voltage	500 V _{AC} for one minute
Operating Temperature	-25°C to +85°C
Maximum Soldering Temperature	260°C for 10 seconds



No. of contacts	Dimensions	
	A	B
2	1,25	7,75
3	2,50	9,00
4	3,75	10,25
5	5,00	11,50
6	6,25	12,75
7	7,50	14,00
8	8,75	15,25
9	10,00	16,50
10	11,25	17,75
11	12,50	19,00
12	13,75	20,25
13	15,00	21,50
14	16,25	22,75
15	17,50	24,00



All dimensions in mm.
Other dimensions upon request.

STL 125 - 0470 CSV TT - XX U
 (vertical)
 125: pitch 1,25mm 0420 CSP U: RoHS-compliant with high temp. plastic
 (parallel)
 TT: Sn Pins: 2 - 15 poles possible

14 | 1,25 mm