

.100" [2.54mm] CONTACT CENTERS, PRESSFIT

SPECIFICATIONS

INSULATOR MATERIAL
Glass filled polyester, type PBT, 94V-O
UL Recognized

CONTACT MATERIAL
Phosphor Bronze Alloy, CA510

CONTACT PLATING
Gold over .000050" Nickel, and Tin-Lead
(See Part Number Coding for thicknesses)

COMPLIANT SECTION INSERTION FORCE
40 lbs maximum per contact

COMPLIANT SECTION WITHDRAWAL FORCE
10 lbs minimum per contact

HOLE SIZE REQUIREMENTS
Drilled Hole Diameter: .0453 ±.0010"
Plating: .001" to .003" Copper
and .0003" Minimum Lead

FINISHED HOLE DIAMETER
.040 ±.003"

RECOMMENDED MOTHERBOARD THICKNESS
.093" to .125"

FEATURES

- * Flat Plate Installation eliminates the need for secondary operation tooling which can damage the connector when installed into motherboard
- * Extra large chamfered entry
- * Conforms to Bellcore specification TR-TSY-00078
- * Extended card scoops available
- * Selective loading of contacts available
- * Available with many plating options
- * Many other custom options available including:
 - One end open
 - Both ends open to accommodate end to end stackability
 - Shorting contacts
 - Molded-in polarizing keys
 - Make-Before-Break style contacts

PART NUMBER*	NUMBER OF CONTACTS	INCHES			MILLIMETERS		
		A	B	C	A	B	C
EZC05 ___	5/10	0.756	0.600	0.400	19.20	15.24	10.16
EZC10 ___	10/20	1.256	1.100	0.900	31.90	27.94	22.86
EZC12 ___	12/24	1.456	1.300	1.100	36.98	33.02	27.94
EZC15 ___	15/30	1.756	1.600	1.400	44.60	40.64	35.56
EZC18 ___	18/36	2.056	1.900	1.700	52.22	48.26	43.18
EZC20 ___	20/40	2.256	2.100	1.900	57.30	53.34	48.26
EZC22 ___	22/44	2.456	2.300	2.100	62.38	58.42	53.34
EZC25 ___	25/50	2.756	2.600	2.400	70.00	66.04	60.96
EZC28 ___	28/56	3.056	2.900	2.700	77.62	73.66	68.58
EZC30 ___	30/60	3.256	3.100	2.900	82.70	78.74	73.66
EZC31 ___	31/62	3.356	3.200	3.000	85.24	81.28	76.20
EZC35 ___	35/70	3.756	3.600	3.400	95.40	91.44	86.36
EZC36 ___	36/72	3.856	3.700	3.500	97.94	93.98	88.90
EZC40 ___	40/80	4.256	4.100	3.900	108.10	104.14	99.06
EZC43 ___	43/86	4.556	4.400	4.200	115.72	111.76	106.68
EZC50 ___	50/100	5.256	5.100	4.900	133.50	129.54	124.46
EZC55 ___	55/110	5.756	5.600	5.400	146.20	142.24	137.16
EZC60 ___	60/120	6.256	6.100	5.900	158.90	154.94	149.86
EZC65 ___	65/130	6.756	6.600	6.400	171.60	167.64	162.56
EZC70 ___	70/140	7.256	7.100	6.900	184.30	180.34	175.26

* For complete part number add termination type and mounting style from Part Number Coding (e.g. EZC43DJBN).

.100" [2.54mm] CONTACT CENTERS, PRESSFIT

PART NUMBER CODING

SERIES _____ E Z C 43 D JB N -T#
 E = PBT/Phosphor Bronze
CONTACT FINISH _____
 Contact Surface Termination Underplate
 Z = .000010" Gold .000100" Tin .000050" Nickel
 X = .000030" Gold .000100" Tin .000050" Nickel
CONTACT CENTERS _____
 C = .100" [2.54 mm]
NUMBER OF CONTACT POSITIONS _____
 5 thru 70
READOUT _____
 D = Dual
 H = Half Loaded

MODIFICATIONS (Consult Factory)
 Omit For Standard
 Special Number assigned for specials such as:
 - Scoops (T7)
 - Other Card Slot Depths
 - Slim Line Body (.315" [8.00mm])

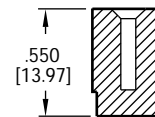
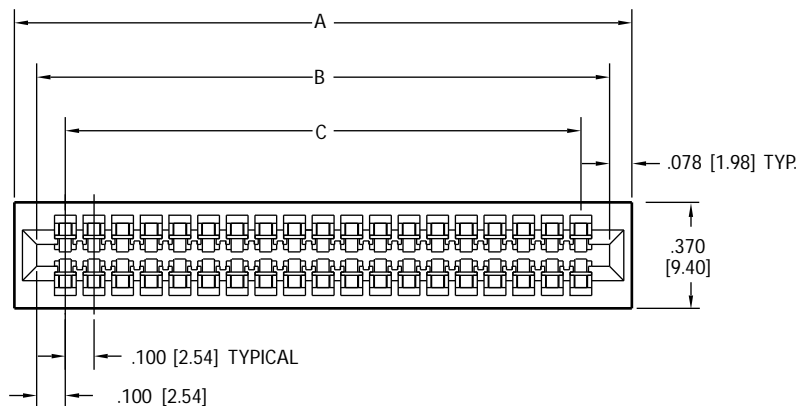
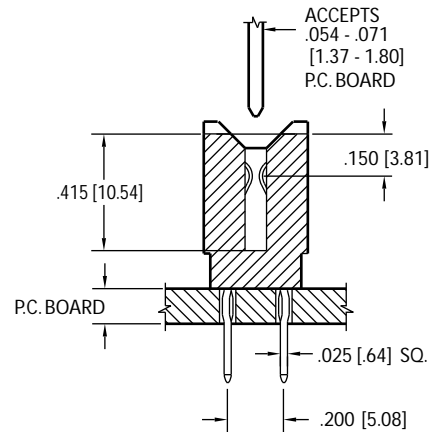
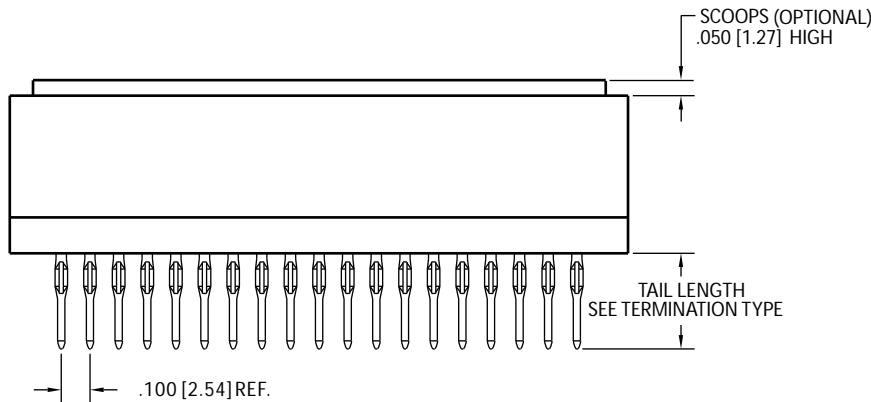
MOUNTING STYLE
 N = No Mounting
 B = Open Card Slot

TERMINATION TYPE

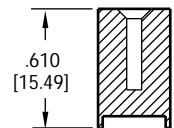
	Standoffs	Row Spacing	Tail Length
JB =	No	.200" [5.08mm]	.190" [4.83mm]
JC =	No	.200" [5.08mm]	.625" [15.88mm]
JW =	Yes	.200" [5.08mm]	.190" [4.83mm]
JX =	Yes	.200" [5.08mm]	.565" [14.35mm]
JF =	No	.100" [2.54mm]	.190" [4.83mm]
JG =	No	.100" [2.54mm]	.625" [15.88mm]
JY =	Yes	.100" [2.54mm]	.190" [4.83mm]
JZ =	Yes	.100" [2.54mm]	.565" [14.35mm]

DIMENSIONS

Dimensions in [] are in millimeters, all others in inches.



WITHOUT
STANDOFFS



WITH
STANDOFFS