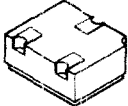
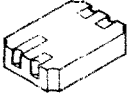
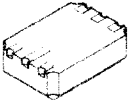


SMALL SIGNAL TRANSISTORS

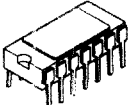
SINGLE, GENERAL PURPOSE TRANSISTORS, SURFACE MOUNT

TYPE NUMBER	TRANSISTOR TYPE	COLLECTOR TO EMITTER BREAKDOWN VOLTAGE $V_{(BR)CEO}$	TEST FREQUENCY @ COLLECTOR CURRENT $f_T @ I_C$		MAXIMUM COLLECTOR CURRENT I_C	CURRENT GAIN @ COLLECTOR CURRENT $h_{FE} @ I_C$			GENERIC PART TYPE	PACKAGE STYLE
			MHz (Min)	mA		Min	Max	mA		
SHD4311	PNP	60	200	50	600	100	300	150	2N2907A	
SHD4312	NPN	40	300	20	800	100	300	150	2N2222A	
SHD4313	NPN	80	80	50	1000	50	-	500	2N3700	
SHD4314	NPN	150	150	20	300	100	-	150	2N3501	
SHD4461	PNP	60	200	50	600	100	300	150	2N2907A	
SHD4462	NPN	40	300	20	800	100	300	150	2N2222A	
SHD4463	NPN	80	80	50	1000	50	-	500	2N3700	
SHD4464	NPN	150	150	20	300	100	-	150	2N3501	

DUAL, GENERAL PURPOSE TRANSISTORS, SURFACE MOUNT

SHD4321	PNP	60	200	50	600	100	300	150	2N2907A	
SHD4322	NPN	40	300	20	800	100	300	150	2N2222A	
SHD4323	NPN	80	80	50	1000	50	-	500	2N3700	
SHD4324	NPN	150	150	20	300	100	-	150	2N3501	

QUAD, GENERAL PURPOSE TRANSISTORS, CERAMIC DIP

SHD4341	PNP	60	200	50	600	100	300	150	2N2907A	
SHD4342	NPN	40	300	20	800	100	300	150	2N2222A	
SHD4343	NPN	80	80	50	1000	50	-	500	2N3700	
SHD4344	NPN	150	150	20	300	100	-	150	2N3501	

Notes:

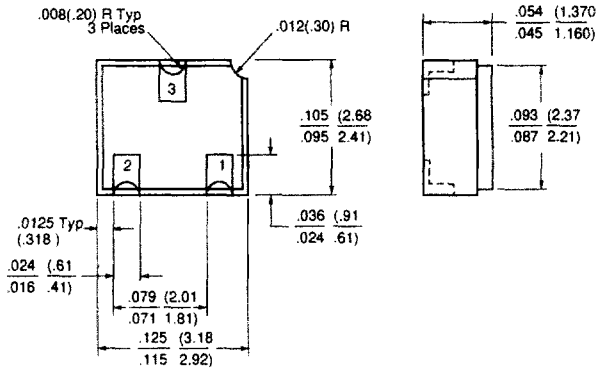
- All ratings are at $T_C = 25^\circ\text{C}$ unless otherwise specified.
- Maximum operating and storage temperature -55°C to $+150^\circ\text{C}$.
- ① All ratings apply to individual transistors.

PINOUTS

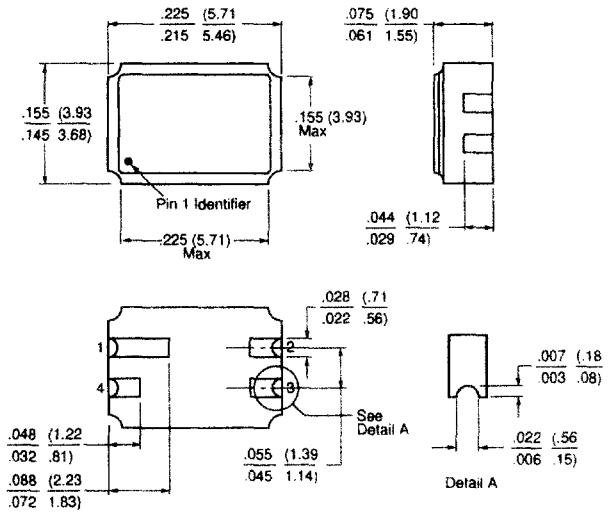
DEVICE TYPE	PIN 1	PIN 2	PIN 3	PIN 4
SMALL SIGNAL TRANSISTOR, LCC-3	BASE	EMITTER	COLLECTOR	-
SMALL SIGNAL TRANSISTOR, LCC-4	COLLECTOR	EMITTER	BASE	N/C

DEVICE TYPE	PIN 1	PIN 2	PIN 3	PIN 4	PIN 5	PIN 6
SMALL SIGNAL TRANSISTOR, LCC-6	COLLECTOR 1	BASE 1	BASE 2	COLLECTOR 2	EMITTER 2	EMITTER 1

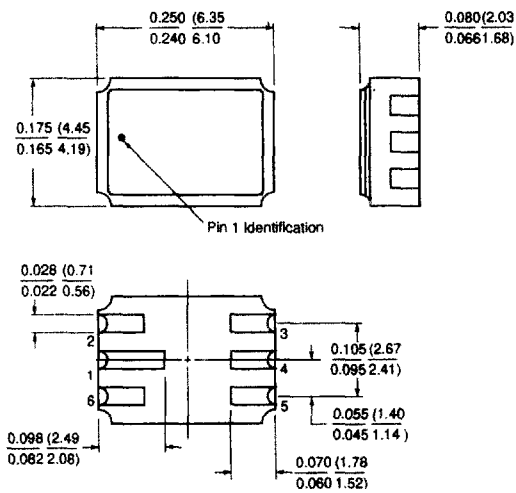
PIN NUMBER	DEVICE TYPE	FUNCTION	PIN NUMBER	FUNCTION
1	SMALL SIGNAL TRANSISTOR, CERDIP-14	COLLECTOR 1	8	COLLECTOR 3
2		BASE 1	9	BASE 3
3		EMITTER 1	10	EMITTER 3
4		N/C	11	N/C
5		EMITTER 2	12	EMITTER 4
6		BASE 2	13	BASE 4
7		COLLECTOR 2	14	COLLECTOR 4



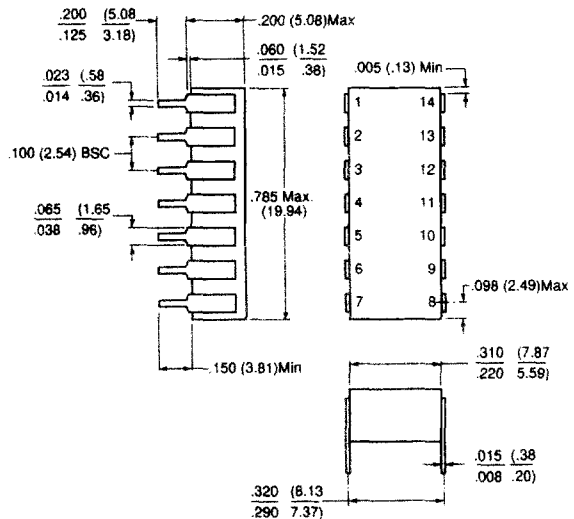
LCC - 3



LCC - 4



LCC - 6



CERDIP - 14